

# KXT2 Series

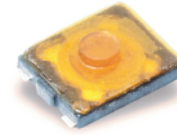
## Double Action Ultra Low Profile Top Actuated

### Features

- 3.9 x 3.0 mm footprint
- 1.05 mm thickness
- Dual action

### Typical Applications

- Wearable electronics
- Mobile Phones
- Portable Electronics



Tactile Switches

B

### Specification

FUNCTION: momentary action  
 CONTACT ARRANGEMENT: Dual action = SPDT, N.O.  
 TERMINALS: G type for SMT  
 TRAVEL: 0.1 mm ± 0.05 mm  
 TRAVEL: 0.2 mm + 0.1 / - 0.05 mm

### Mechanical

	Operating force gf		Operating Life
KXT 211 LHS	Push force 1	100 ± 40	100,000
	Push force 2	200 ± 50	

### Electrical

MAXIMUM VOLTAGE: 12 VDC  
 MAXIMUM CURRENT DC: 50 mA  
 DIELECTRIC STRENGTH: 250 V (50 Hz, 1 min.)  
 CONTACT RESISTANCE: ≤ 500 mΩ  
 INSULATION RESISTANCE: 100 MΩ  
 BOUNCE TIME: ≤ 10 ms

### Environmental

OPERATING TEMPERATURE: -40°C to 85°C  
 STORAGE TEMPERATURE: -40°C to 85°C

### Process

SOLDERING: This component is suited to the following methods:  
 Infrared Reflow Soldering in accordance with IEC61760-1

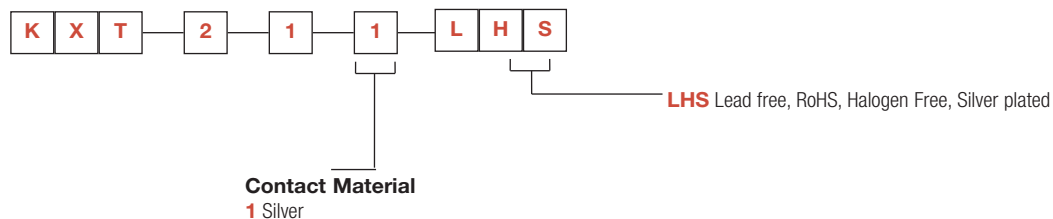
### Packaging

In reels of 6,000 pieces  
 Dimensions of reels according to EIA RS481 or IEC 2863  
 External diameter 178 mm ± 2mm

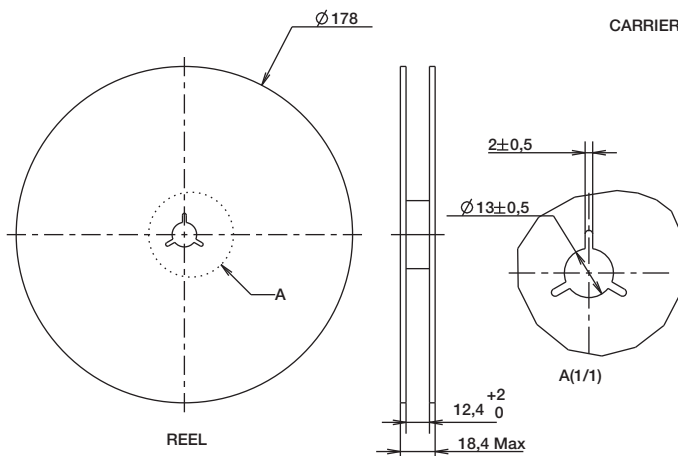
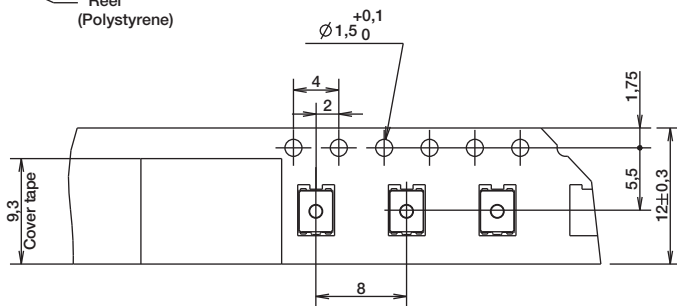
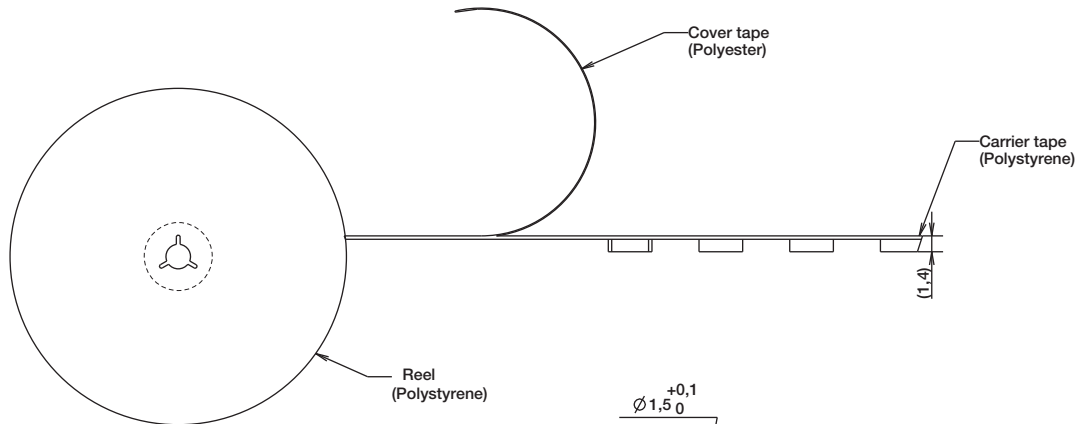
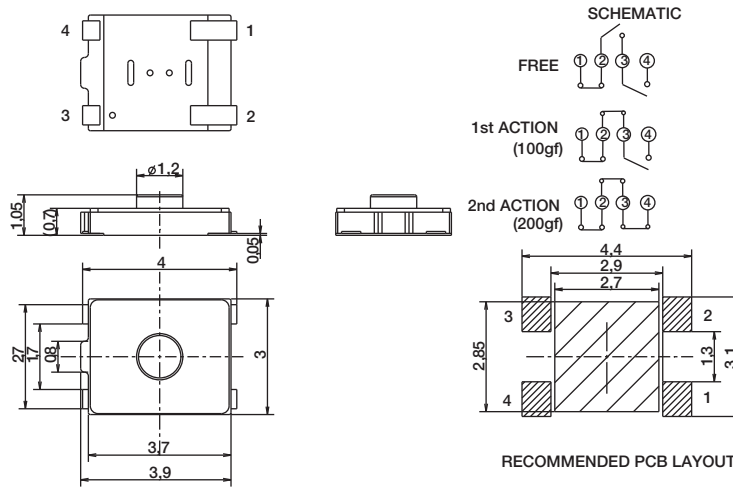
**NOTE:** Specifications listed above are for switches with standard options.  
 For information on specific and custom switches, consult Customer Service Center.

### Part Number Description

For any part number different from those listed above, please consult your local representative.



# KXT2 Series Double Action Ultra Low Profile Top Actuated



Dimensions are shown: mm  
Specifications and dimensions subject to change