



013ZD/WV/R6R/LV60
00XW60R6R60/VQ

00V/RQ

Connector
00V/R6SH0/RQ
Heat Sink
Connection Method
Body Style

SMA Male
07
Black Anodized Aluminum Heatsink
Standard
Straight

00V6SH0/RQ

00V6SH0/RQ
00V6SH0/RQ
Maximum VSWR
00V6SH0/RQ
00V6SH0/RQ

WR
1.6:1

00V6SH0/RQ
00V6SH0/RQ
0:5

WR

00V6SH0/RQ
00V6SH0/RQ
0:5

WR

00V6SH0/RQ
00V6SH0/RQ
VSWR

WR
1.6:1

00V6SH0/RQ

00V6SH0/RQ
2SH0/V6R
Color

WR
Black

00V/RU
SH
00V/RU/H0Q
00V/RU/H0Q
00V/RU/H0Q
00V/RU/H0Q
00V/RU/H0Q

SMA Male
00V/RU
00V/RU/H0Q
00V/RU/H0Q
00V/RU/H0Q
00V/RU/H0Q

00V6SH0/RQ

RoHS Compliant

YLVWVWH0R00/RQ

Yes

00V6SH0/RQ

00V6SH0/RQ
Anodized Aluminum Heatsink 0

013ZD/WV/R6R/LV60
00XW60R6R60/VQ

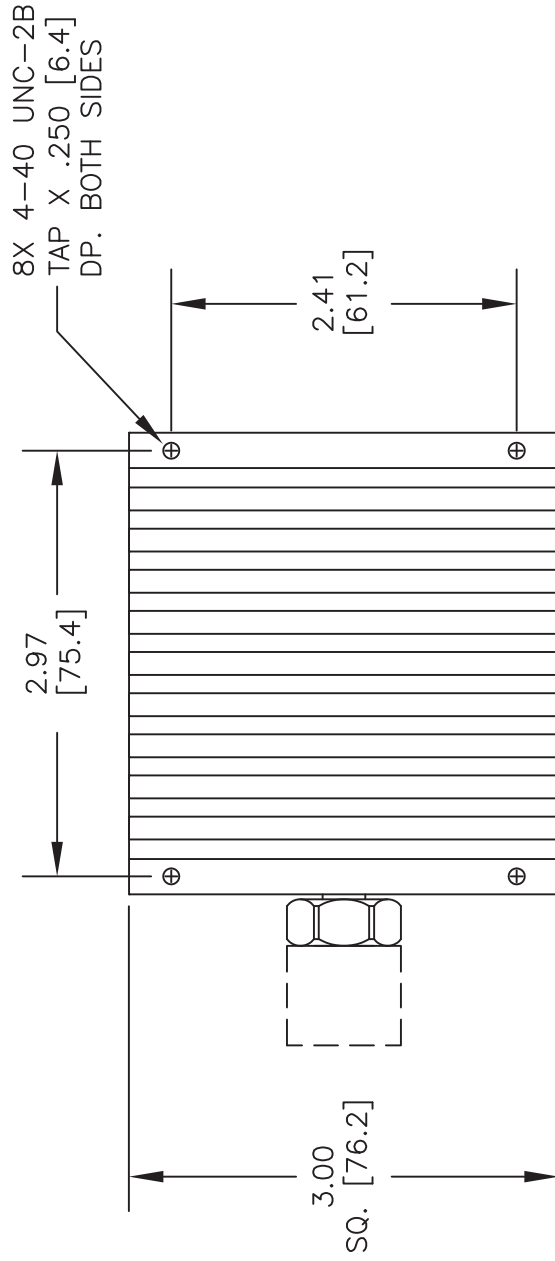
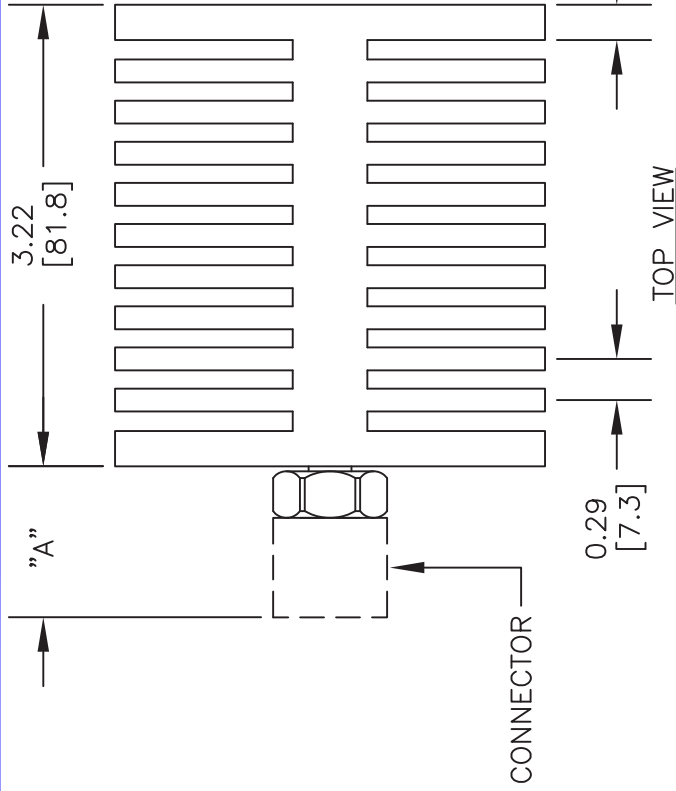


Table of Information	
Connector Type	DIM "A" (REF.)
SMA Male	0.68
SMA Female	0.54
N Male	0.98
N Female	0.95
TNC Male	0.98
TNC Female	0.94
7/16 Male	1.12
7/16 Female	1.16

Part Number Configuration	
PN	Connector
PE6211	SMA Male
PE6212	SMA Female
PE6213	N Male
PE6214	N Female
PE6215	TNC Male
PE6216	TNC Female
PE6217	7/16 Male
PE6218	7/16 Female

DWG TITLE

PE62xx

- NOTES:
1. UNLESS OTHERWISE SPECIFIED ALL DIMENSIONS ARE NOMINAL.
 2. ALL SPECIFICATIONS ARE SUBJECT TO CHANGE WITHOUT NOTICE AT ANY TIME.
 3. DIMENSIONS ARE IN INCHES [mm].

FSCM NO. 53919

PE PASTERNAK®
 Pasternack Enterprises, Inc.
 P.O. Box 16759 | Irvine | CA | 92623
 Phone: (949) 261-1920 | Fax: (949) 261-7451
 Website: www.pasternack.com | E-Mail: sales@pasternack.com

SCALE N/A

SIZE A

CAD FILE 080213

2233