



013210/WV/R671/WK&  
00X6T0R6000/V0

00V0RQ	Connector	TNC Male
00V0R6SH0/RQ	Heat Sink	Ø7
	Connection Method	Black Anodized Aluminum Heatsink
	Body Style	Standard
		Straight

00V0SH0/RQ		WR
HTK01	Maximum VSWR	1.6:1
BH02R		
00V0R671/WV		
B00R671/WV		

HTK0		
HTK0		WR
0:5		

HTK0		
HTK0		WR
0:5		

HTK0		
HTK0	VSWR	WR
		1.6:1

013210/RQ		
013210/RQ		
2SH0/RQ&		WR
Color		Black

00V0RU	Type	TNC Male
00V0R0/H00		00SSHU
00V0R0/H00		RG
00V0R0/H00		00V0/H00/00V06WHHO
00V0R0/H00		00V0/H00/00V06WHHO
00V0R0/H00		Ø

00V0R0/RQ	Y00V0WH0RR00V0R0	
RoHS Compliant		Yes

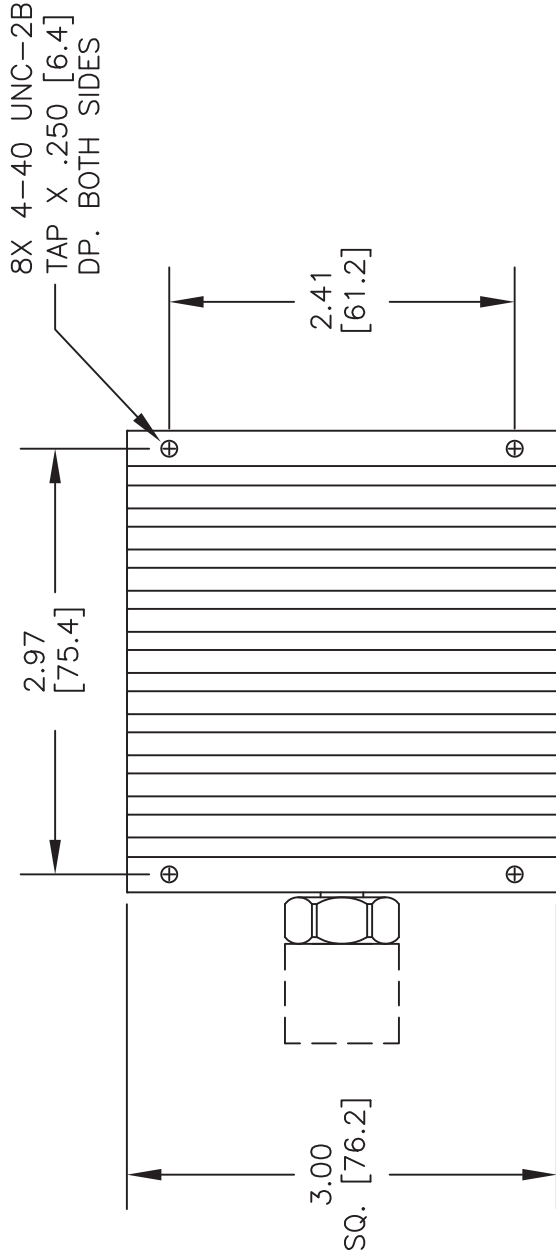
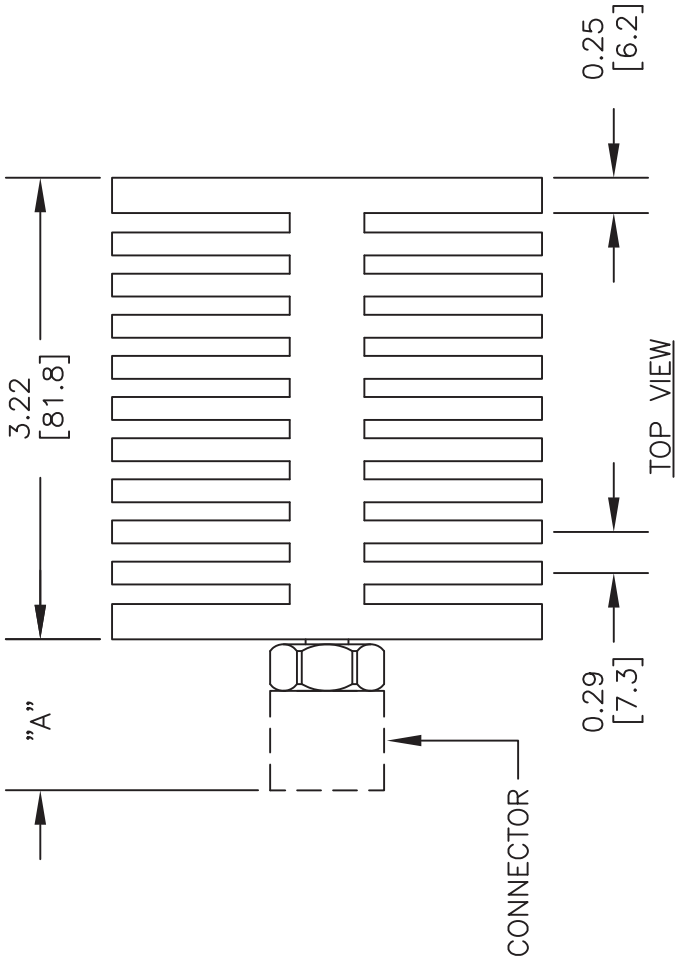
00V0R0/RQ  
Ø  
Anodized Aluminum Heatsink Ø



# Square Body Black Anodized Aluminum Heatsink

Table of Information		Part Number Configuration	
Connector Type	DIM "A" (REF.)	PN	Connector
SMA Male	0.68	PE6211	SMA Male
SMA Female	0.54	PE6212	SMA Female
N Male	0.98	PE6213	N Male
N Female	0.95	PE6214	N Female
TNC Male	0.98	PE6215	TNC Male
TNC Female	0.94	PE6216	TNC Female
7/16 Male	1.12	PE6217	7/16 Male
7/16 Female	1.16	PE6218	7/16 Female

Table of Information		Part Number Configuration	
Connector Type	DIM "A" (REF.)	PN	Connector
SMA Male	0.68	PE6211	SMA Male
SMA Female	0.54	PE6212	SMA Female
N Male	0.98	PE6213	N Male
N Female	0.95	PE6214	N Female
TNC Male	0.98	PE6215	TNC Male
TNC Female	0.94	PE6216	TNC Female
7/16 Male	1.12	PE6217	7/16 Male
7/16 Female	1.16	PE6218	7/16 Female



DWG TITLE

**PE62xx**

- NOTES:
1. UNLESS OTHERWISE SPECIFIED ALL DIMENSIONS ARE NOMINAL.
  2. ALL SPECIFICATIONS ARE SUBJECT TO CHANGE WITHOUT NOTICE AT ANY TIME.
  3. DIMENSIONS ARE IN INCHES [mm].

FSCM NO. 53919

**PASTERNAK®**  
 Pasternack Enterprises, Inc.  
 P.O. Box 16759 | Irvine | CA | 92623  
 Phone: (949) 261-1920 | Fax: (949) 261-7451  
 Website: www.pasternack.com | E-Mail: sales@pasternack.com

CAD FILE 080213 SCALE N/A SIZE A 2233