



50 Ohm 2 Watts Tri-Metal Plated Brass TNC  
Female RF Load Up To 6 GHz

TECHNICAL DATA SHEET

PE6229

**50 Ohm 2 Watts Tri-Metal Plated Brass TNC Female RF Load Up To 6 GHz**

**Configuration**

Connector	TNC Female
Heat Sink	Brass, Tri-Metal
Connection Method	Standard
Body Style	Straight

**Electrical Specifications**

Frequency Range, GHz	DC to 6
Impedance, Ohms	50
Maximum VSWR	1.25:1
Maximum Input Power, Watts	2

**Mechanical Specifications**

**Temperature**

Operating Range, deg C	-45 to +125
------------------------	-------------

**Size**

Length, in [mm]	1.03 [26.16]
Width/Dia., in [mm]	0.57 [14.48]

**Connector**

Type	TNC Female
Inner Conductor Material and Plating	Beryllium Copper, Gold
Body Material and Plating	Brass, Tri-Metal
Dielectric Type	PTFE

**Compliance Certifications** (visit [www.Pasternack.com](http://www.Pasternack.com) for current document)

RoHS Compliant	Yes
----------------	-----

Click the following link (or enter part number in "SEARCH" on website) to obtain additional part information including price, inventory and certifications: [50 Ohm 2 Watts Tri-Metal Plated Brass TNC Female RF Load Up To 6 GHz PE6229](#)

The information contained in this document is accurate to the best of our knowledge and representative of the part described herein. It may be necessary to make modifications to the part and/or the documentation of the part, in order to implement improvements. Pasternack reserves the right to make such changes as required. Unless otherwise stated, all specifications are nominal.





50 Ohm 2 Watts Tri-Metal Plated Brass TNC  
Female RF Load Up To 6 GHz

TECHNICAL DATA SHEET

PE6229

**Plotted and Other Data**

Notes:

Values at 25 °C, sea level

50 Ohm 2 Watts Tri-Metal Plated Brass TNC Female RF Load Up To 6 GHz from Pasternack Enterprises has same day shipment for domestic and International orders. Our RF, microwave and fiber optic products maintain a 99% availability and are part of the broadest selection in the industry.

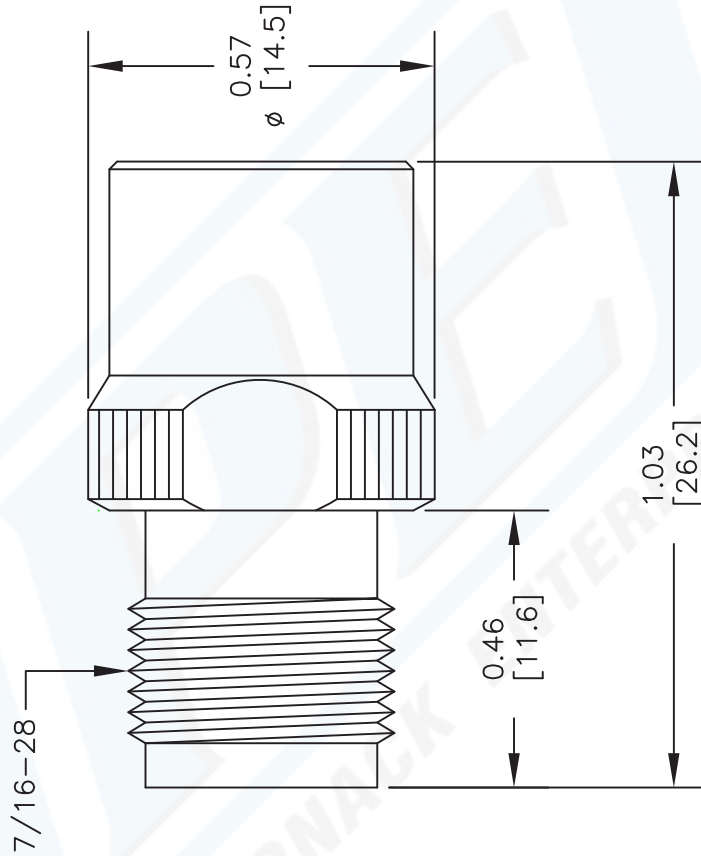
Click the following link (or enter part number in "SEARCH" on website) to obtain additional part information including price, inventory and certifications: [50 Ohm 2 Watts Tri-Metal Plated Brass TNC Female RF Load Up To 6 GHz PE6229](http://www.pasternack.com/2-watts-tnc-female-rf-load-up-to-6-ghz-pe6229-p.aspx)

URL: <http://www.pasternack.com/2-watts-tnc-female-rf-load-up-to-6-ghz-pe6229-p.aspx>

The information contained in this document is accurate to the best of our knowledge and representative of the part described herein. It may be necessary to make modifications to the part and/or the documentation of the part, in order to implement improvements. Pasternack reserves the right to make such changes as required. Unless otherwise stated, all specifications are nominal.

# PE6229 CAD Drawing

50 Ohm 2 Watts Tri-Metal Plated Brass TNC Female RF Load Up To 6 GHz



DWG TITLE

**PE6229**

NOTES:  
 1. UNLESS OTHERWISE SPECIFIED ALL DIMENSIONS ARE NOMINAL.  
 2. ALL SPECIFICATIONS ARE SUBJECT TO CHANGE WITHOUT NOTICE AT ANY TIME.  
 3. DIMENSIONS ARE IN INCHES [mm].

FSCM NO. 53919

CAD FILE 101013

SCALE N/A

SIZE A

150



**PASTERNAK**

Pasternack Enterprises, Inc.  
 P.O. Box 16759 | Irvine | CA | 92623  
**Phone:** (949) 261-1920 | **Fax:** (949) 261-7451  
**Website:** [www.pasternack.com](http://www.pasternack.com) | **E-Mail:** [sales@pasternack.com](mailto:sales@pasternack.com)