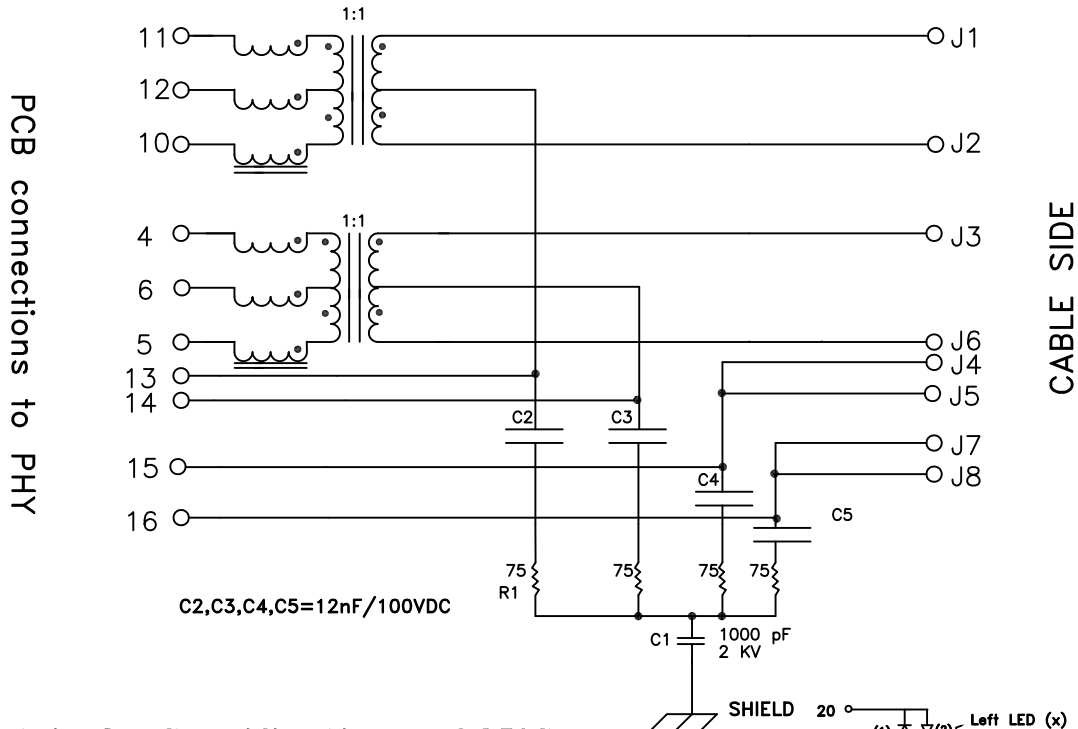


## Schematic:



## Electrical Specifications: @25°C

Isolation Voltage: 1500 VAc (Input to Output)

Turns Ratio: TX 1CT:1CT ±3% RX 1CT:1CT ±3%

OCL: 350uH Minimum @100KHz 100mV 24mADC

Insertion Loss: -1.0dB TYP @0.1-100 MHz

Insertion Loss: -1.70 dB Max @100-125 MHz

Return Loss: 1-30MHz      30-45MHz      45-60MHz      60-80MHz  
 -18.0dB (Typ)      -16.0dB(Typ)      -14.0dB(Typ)      -12.0dB(Typ)

Cross Talk: 1-100MHz      -30.0 dB Typ

Common Mode Rejection: 1-100MHz      -35.0 dB Min

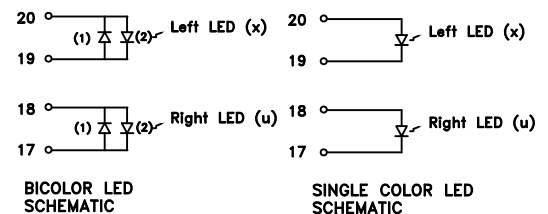
DC Current: 720mA

Q : 5 Min @100KHz 0.1V

### Notes:

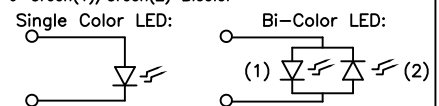
- Solderability: Leads shall meet MIL-STD-202G, Method 208H for solderability.
- Flammability: UL94V-0
- ASTM oxygen index: > 28%
- Insulation System: Class F 155°C. UL file E165866
- Operating Temperature Range: All listed parameters are to be within tolerance from 0°C to +70°C
- Storage Temperature Range: -55°C to +125°C
- Aqueous wash compatible
- Electrical and mechanical specifications 100% tested
- RoHS Compliant Component

DOC. REV: A/4



### Complete the Combo P/N as follows:

Replace 'x' & 'u' in the part number with one of the LED color letters:  
 Y=Yellow      'x' = Left LED Color  
 G=Green      'u' = Right LED Color  
 A=Amber  
 R=Red  
 C=Green(1)/Amber(2) Bicolor  
 D=Amber(1)/Green(2) Bicolor  
 M=Green(1)/Yellow(2) Bicolor  
 N=Yellow(1)/Green(2) Bicolor  
 P=Red(1)/Green(2) Bicolor  
 Q=Green(1)/Red(2) Bicolor  
 E=Red(1)/Yellow(2) Bicolor  
 F=Yellow(1)/Red(2) Bicolor  
 H=Amber(1)/Yellow(2) Bicolor  
 J=Green(1)/Green(2) Bicolor



**PROPRIETARY:**

Document is the property of XFMRs Group & is not allowed to be duplicated without authorization.

**XFMRs Inc**  
 www.XFMRs.com

Title:  
**SINGLE PORT POE+ COMBO**

UNLESS OTHERWISE SPECIFIED

P/N: XFPOEP1B-CTxu1-4L

REV. A

TOLERANCES:

DWN.

Yuan

Dec-04-13

.xxx ±0.010

CHK.

YK Liao

Dec-04-13

Dimensions in Inch

APP.

BW

Dec-04-13

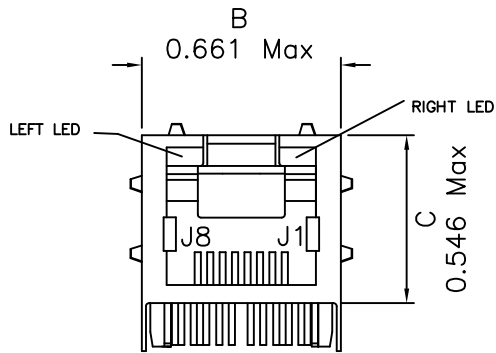
SHEET 1 OF 2

APP.

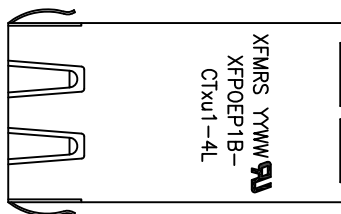
BW

Dec-04-13

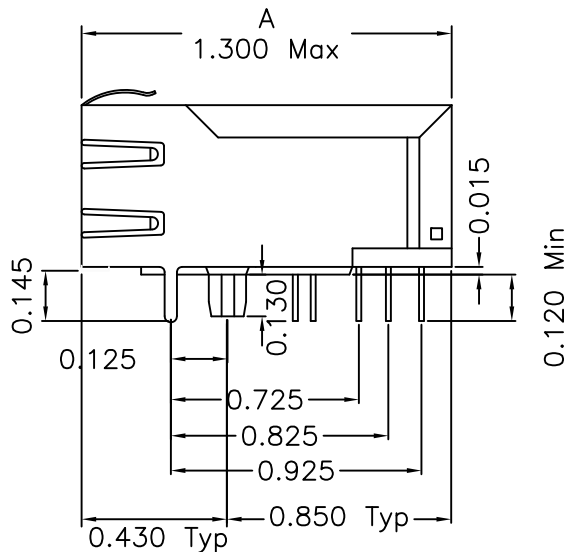
**Mechanical Dimensions:**



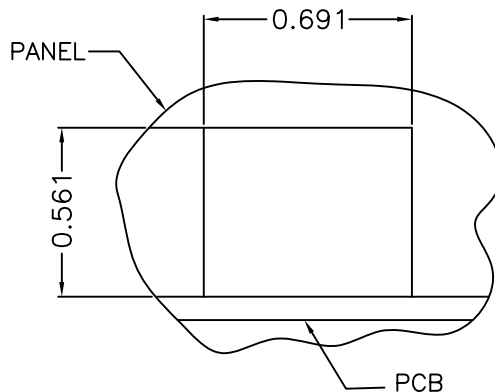
FRONT VIEW



TOP VIEW

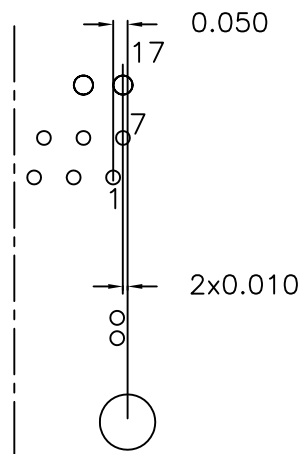
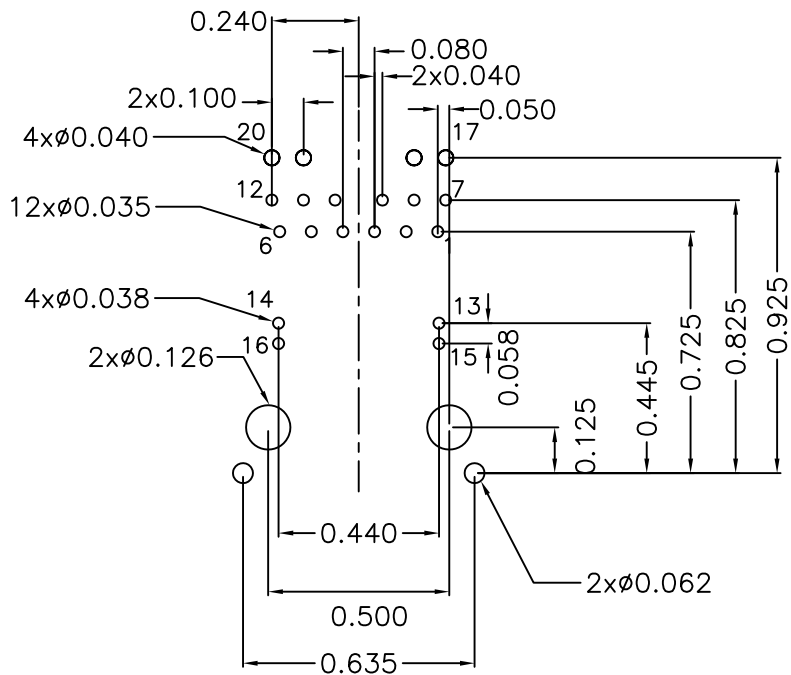


SIDE VIEW



SUGGESTED PANEL CUTOUT

**Mounting Pattern:**



DOC. REV: A/4

**XFMRS Inc**  
www.XFMRS.com

Title: Mechanical Dimensions  
For TAB UP RJ45 COMBO

UNLESS OTHERWISE SPECIFIED  
TOLERANCES:  
.xxx ±0.010  
Dimensions in Inch

P/N: XFPOEP1B-CTxu1-4L		REV. A
DWN.	Yuan	Dec-04-13
CHK.	YK Liao	Dec-04-13
APP.	BW	Dec-04-13

SHEET 2 OF 2

**PROPRIETARY:**

Document is the property of XFMRS Group & is not allowed to be duplicated without authorization.