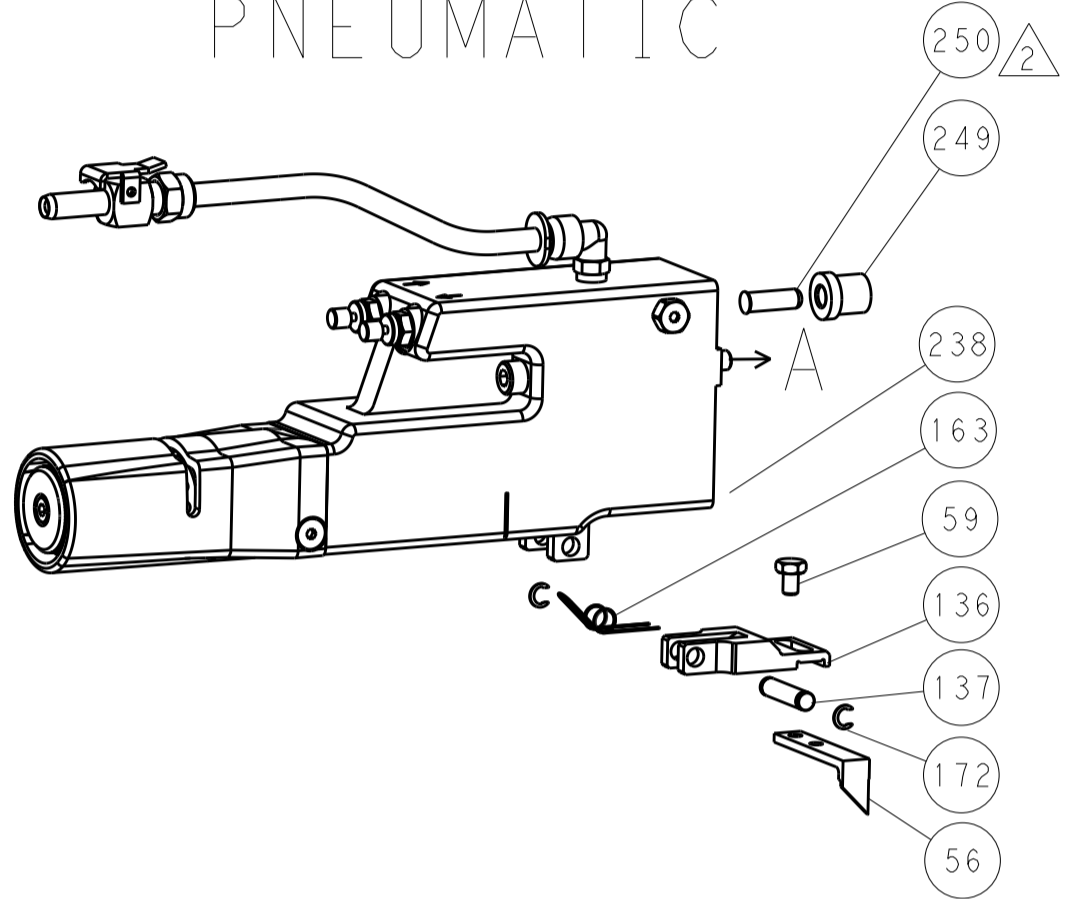


LOC		DIST		REVISIONS			
A	66	P	LTM	DESCRIPTION	DATE	OWN	APVD
		-		SEE SHEET 1			

FEED TYPE MECHANICAL



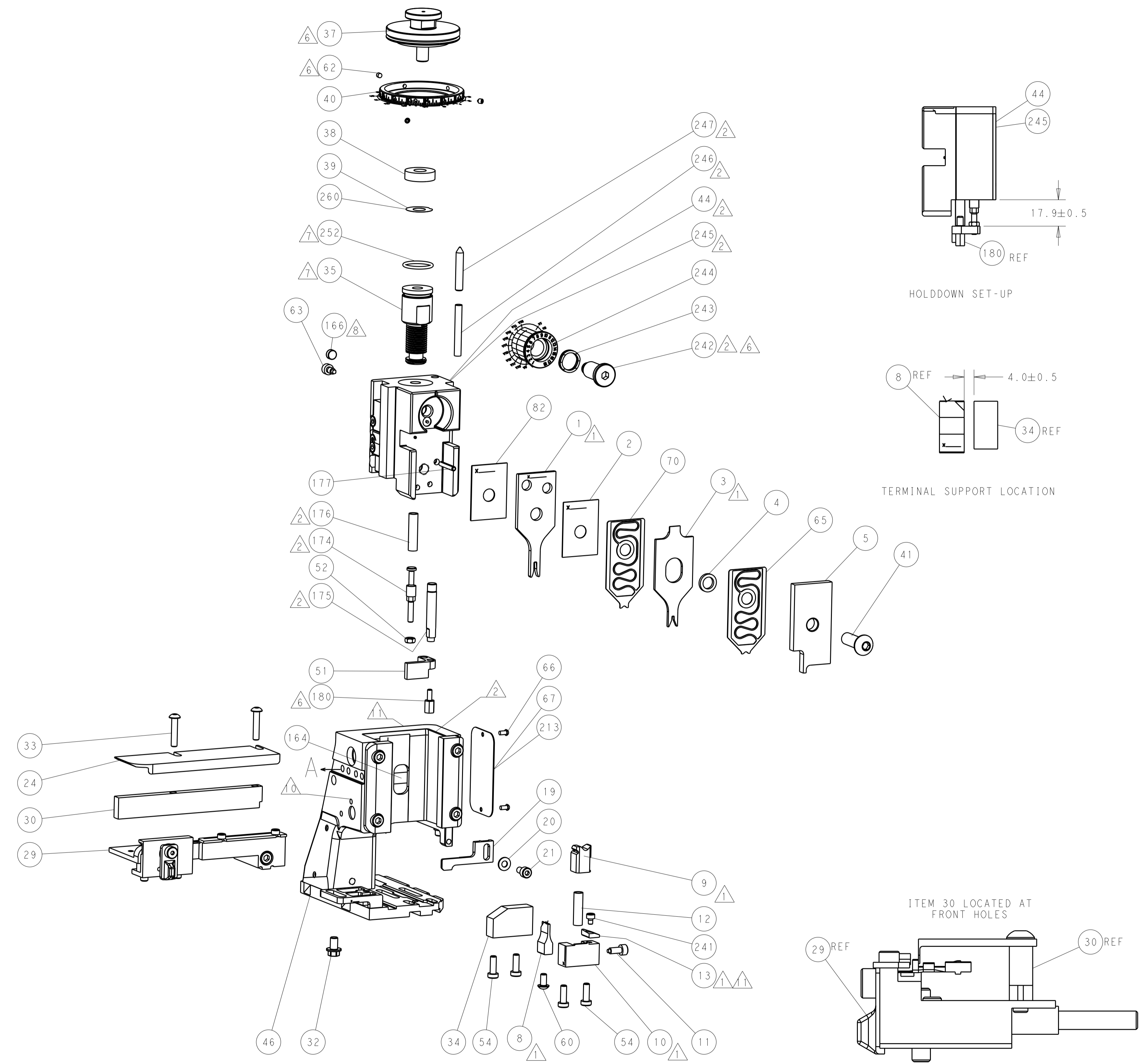
PNEUMATIC



SERVO LATCH PLATE



CAM POSITIONS



HOLDDOWN SET-UP

TERMINAL SUPPORT LOCATION

ITEM 30 LOCATED AT FRONT HOLES

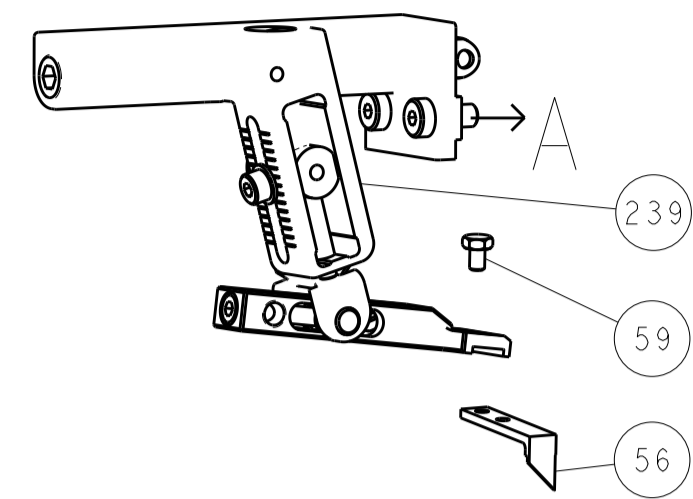
FEED TRACK POSITION GUIDE BY INSULATION BARREL

ATLANTIC VERSION
 Shown on sheets 1 of 4 & 2 of 4
 (Pacific version shown on sheets 3 of 4 & 4 of 4)

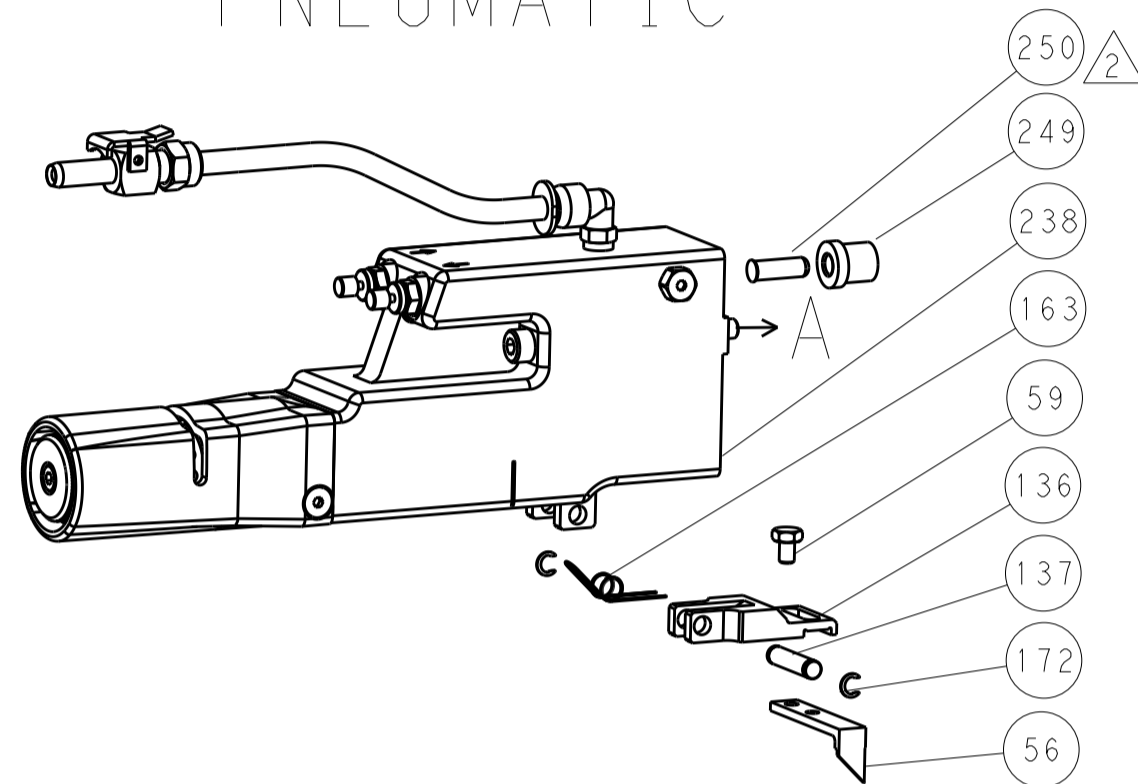
DIMENSIONS:		TOLERANCES UNLESS OTHERWISE SPECIFIED:		DWN: C.CHEN 05AUG2011		TE Connectivity	
mm	0 PLC ±	1 PLC ±	2 PLC ±	3 PLC ±	4 PLC ±	Harrisburg, PA 17105-3608	
MATERIAL:		FINISH:		CHK: S.XI 05AUG2011		NAME: Ocean Side Feed Applicator	
				APVD: J. CRUZ 05AUG2011		SIZE: CAGE CODE: DRAWING NO: A11 00779 ©=2151169	
				PRODUCT SPEC:		RESTRICTED TO:	
				APPLICATION SPEC:		Customer Accessible Production Drawing	
				WEIGHT:		SCALE: 1:2 SHEET 2 OF 4 REV: C1	

REVISONS		DATE	OWN	APVD
LOC	DIST			
A	66			
P	LTM	DESCRIPTION		
-	-	SEE SHEET 1	-	-

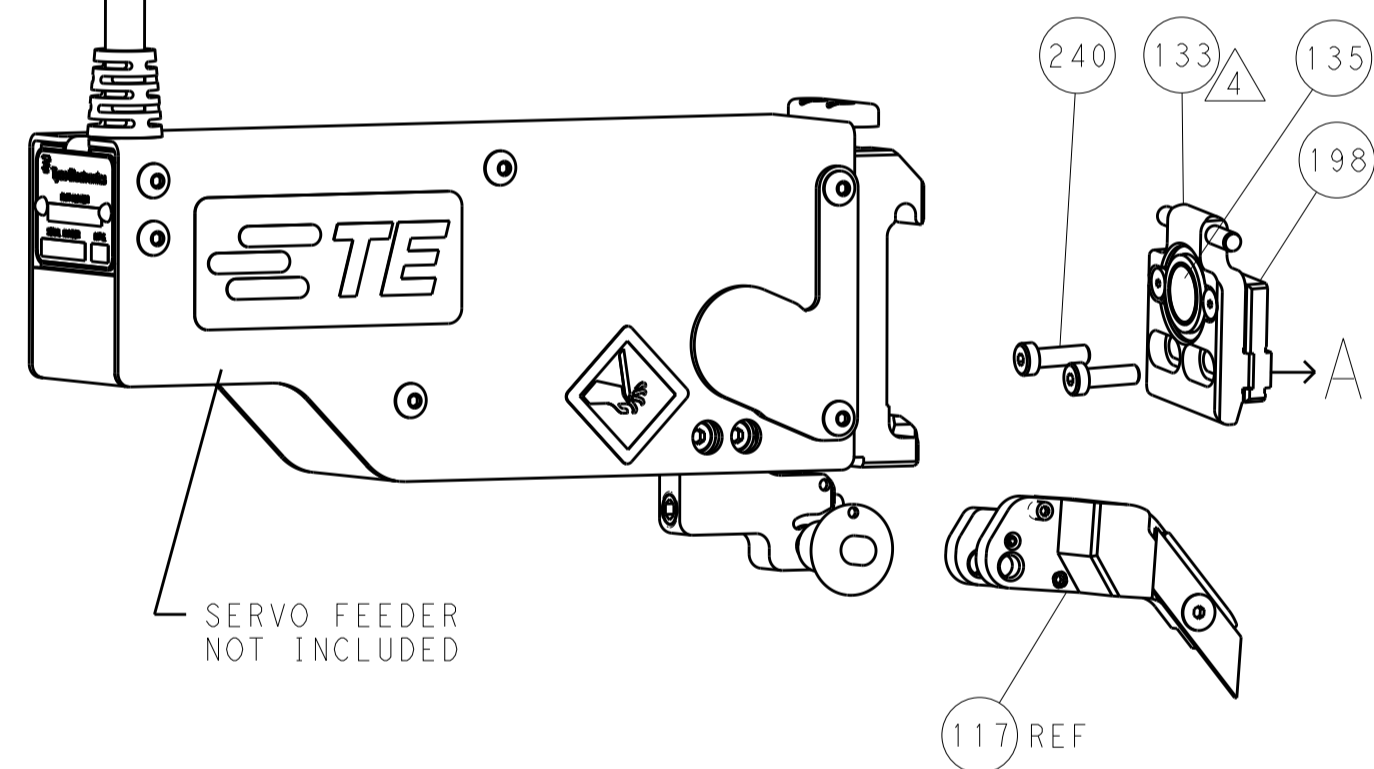
FEED TYPE MECHANICAL



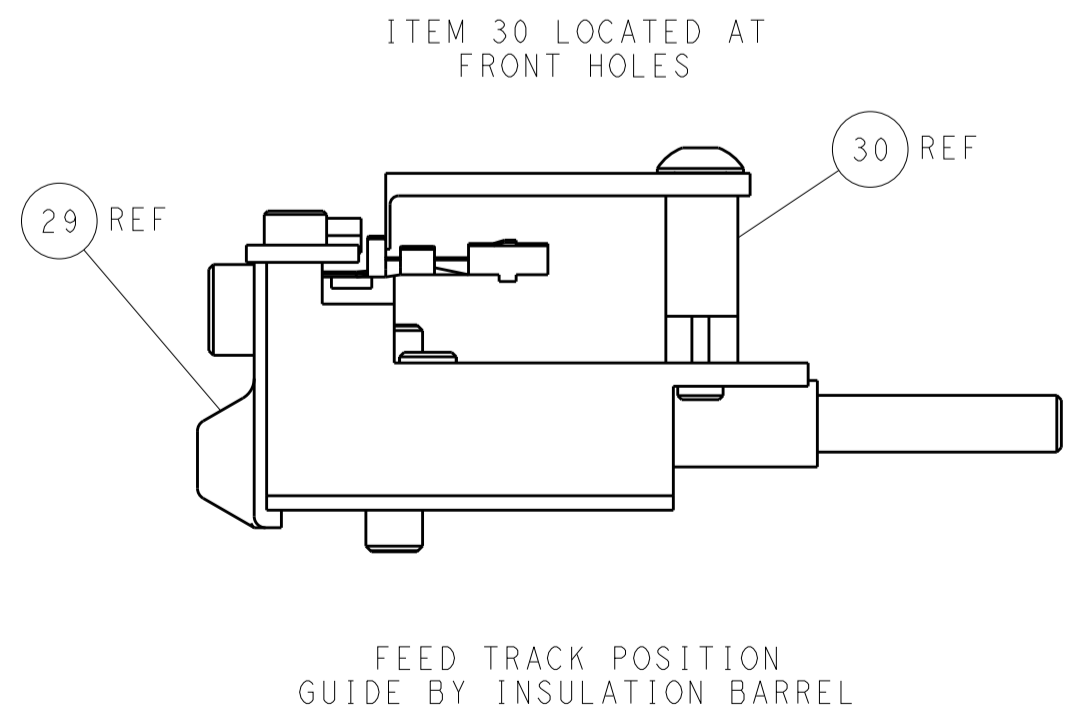
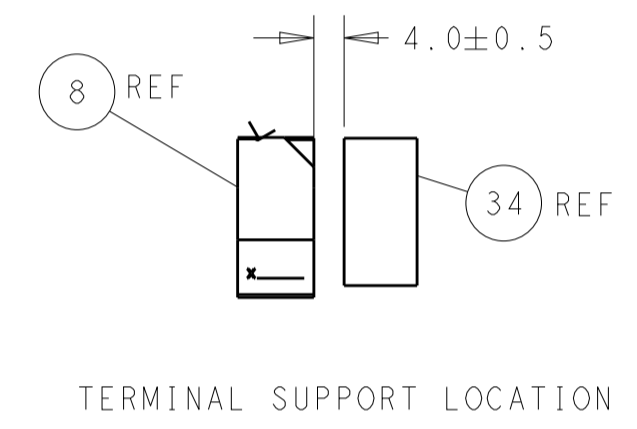
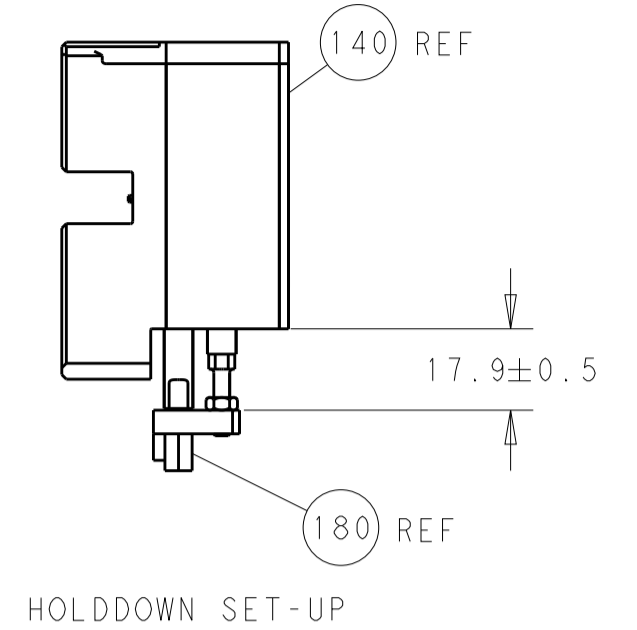
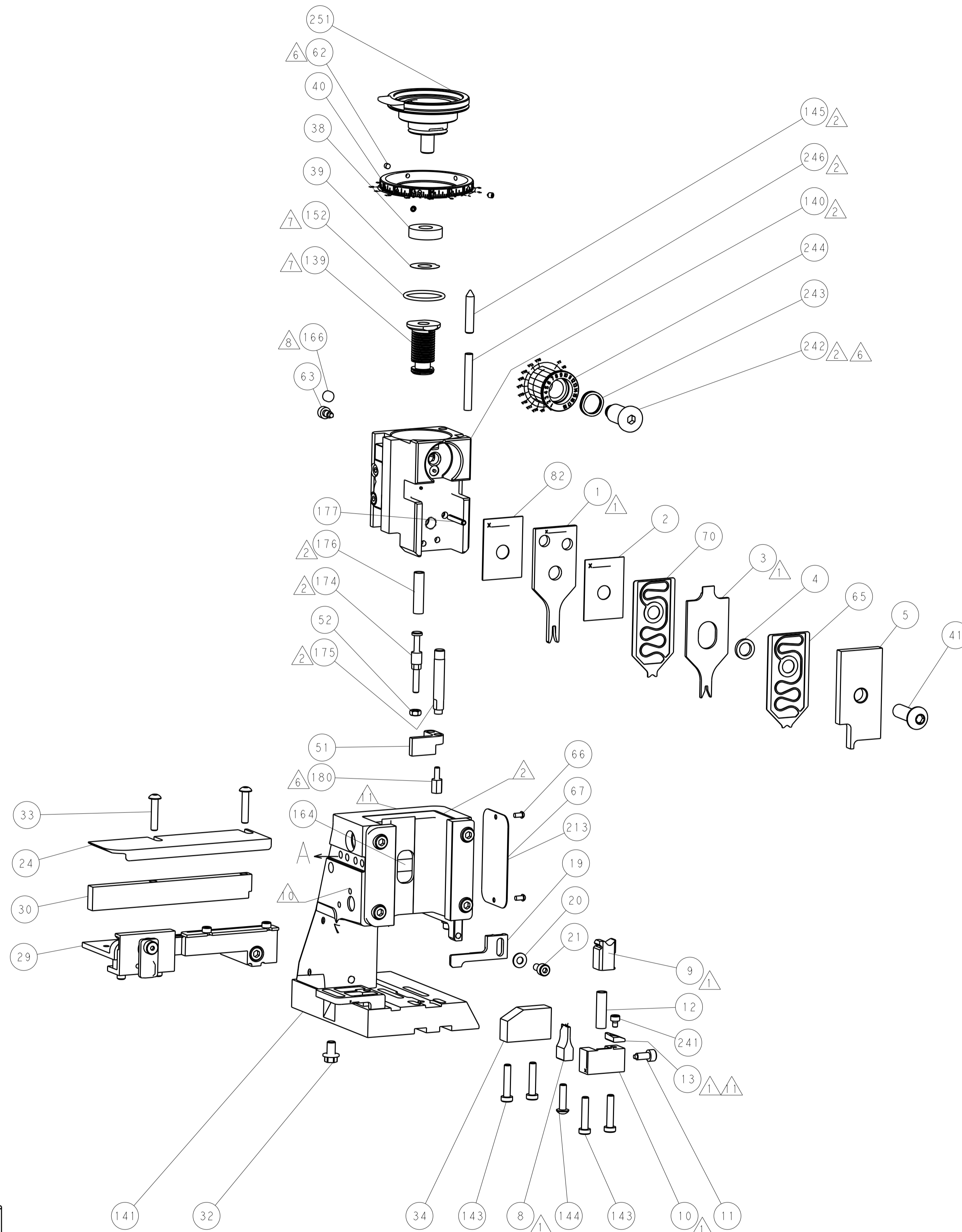
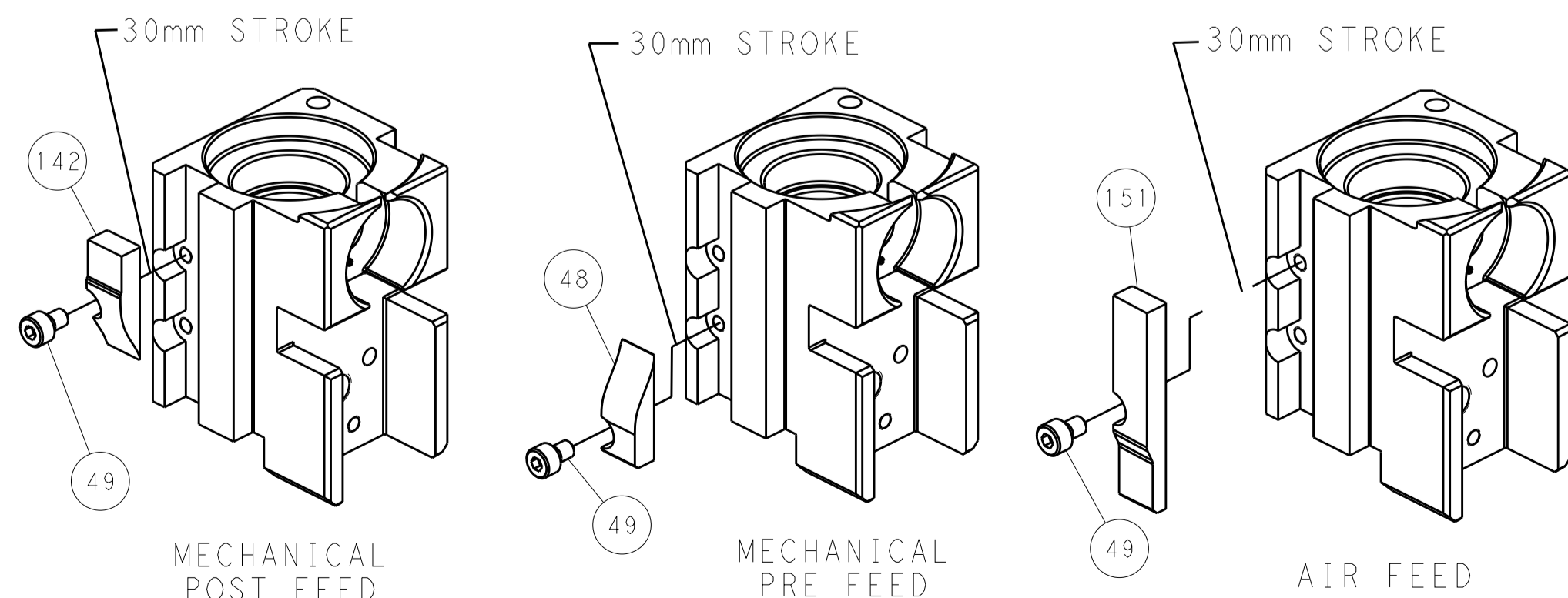
PNEUMATIC



SERVO LATCH PLATE



CAM POSITIONS



PACIFIC VERSION
 Shown on sheets 3 of 4 & 4 of 4
 (Atlantic version shown on sheets 1 of 4 & 2 of 4)

DIMENSIONS:		TOLERANCES UNLESS OTHERWISE SPECIFIED:		DWG: C.CHEN 05AUG2011		NAME: TE Connectivity	
mm	0 PLC	±		CHK: S.XI 05AUG2011	Harrisburg, PA 17105-3608		
	1 PLC	±		APVD: J.CRUZ 05AUG2011	Product Spec		
	2 PLC	±			Application Spec		
	3 PLC	±			SIZE: CAGE CODE: DRAWING NO: RESTRICTED TO		
	4 PLC	±			A1 00779 ©=2151169		
MATERIAL:	FINISH:	WEIGHT:	SCALE:	Customer Accessible Production Drawing		SHEET 4 OF 4 REV C1	