

4850, 8-pole, Socket, PCB terminals, DIN Plug/Socket



8-pole



4-pole



### Description

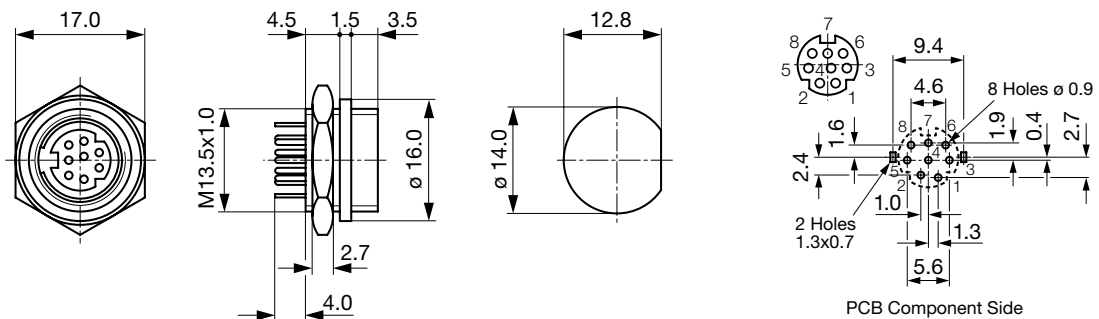
- PCB Mounting :  
Screw-on mounting , from rear-side
- DIN Plug: 8-pole , straight

### Technical Data

Diameter	9.0 mm
Number of Poles	8-pole
Ratings DC	1 A / 12 VDC
Ratings AC	1 A / 100 VAC
Dielectric Strength	250VAC
Insulation Resistance	> 50 MΩ @ 250VDC

Allowable Operation Temp.	-20°C to 70°C
Terminal	PCB terminals silver plated
Mounting	Screw-on mounting wall thickness max. 2.0mm
Lifetime	5000 Insertions

### Dimensions



### All Variants

Product group	Diameter [mm]	Number of Poles	Terminal	Order Number
DIN Plug/Socket	9.0	8-pole	PCB terminals	4850.2800

Availability for all products can be searched real-time: <http://www.schurter.com/Stock-Check/Stock-Check-SCHURTER>

**Packaging unit** 250 Pcs

## Mating Inlets/Plugs

### Category / Description



[DIN Plug/Socket Overview complete](#)

4850, 8-pole, Plug, solder terminal, DIN Plug/Socket

4850.1810

[DIN Plug/Socket further types to 4850.2800](#)