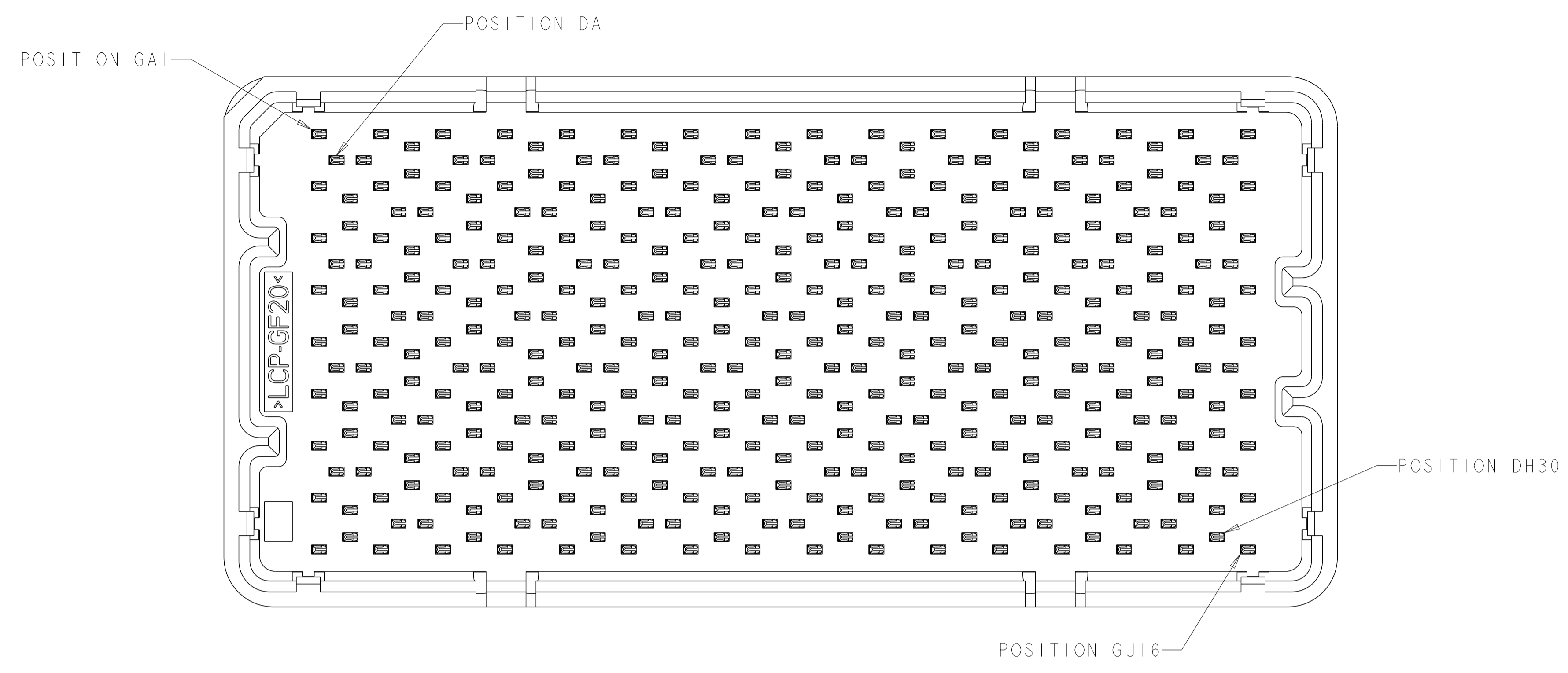
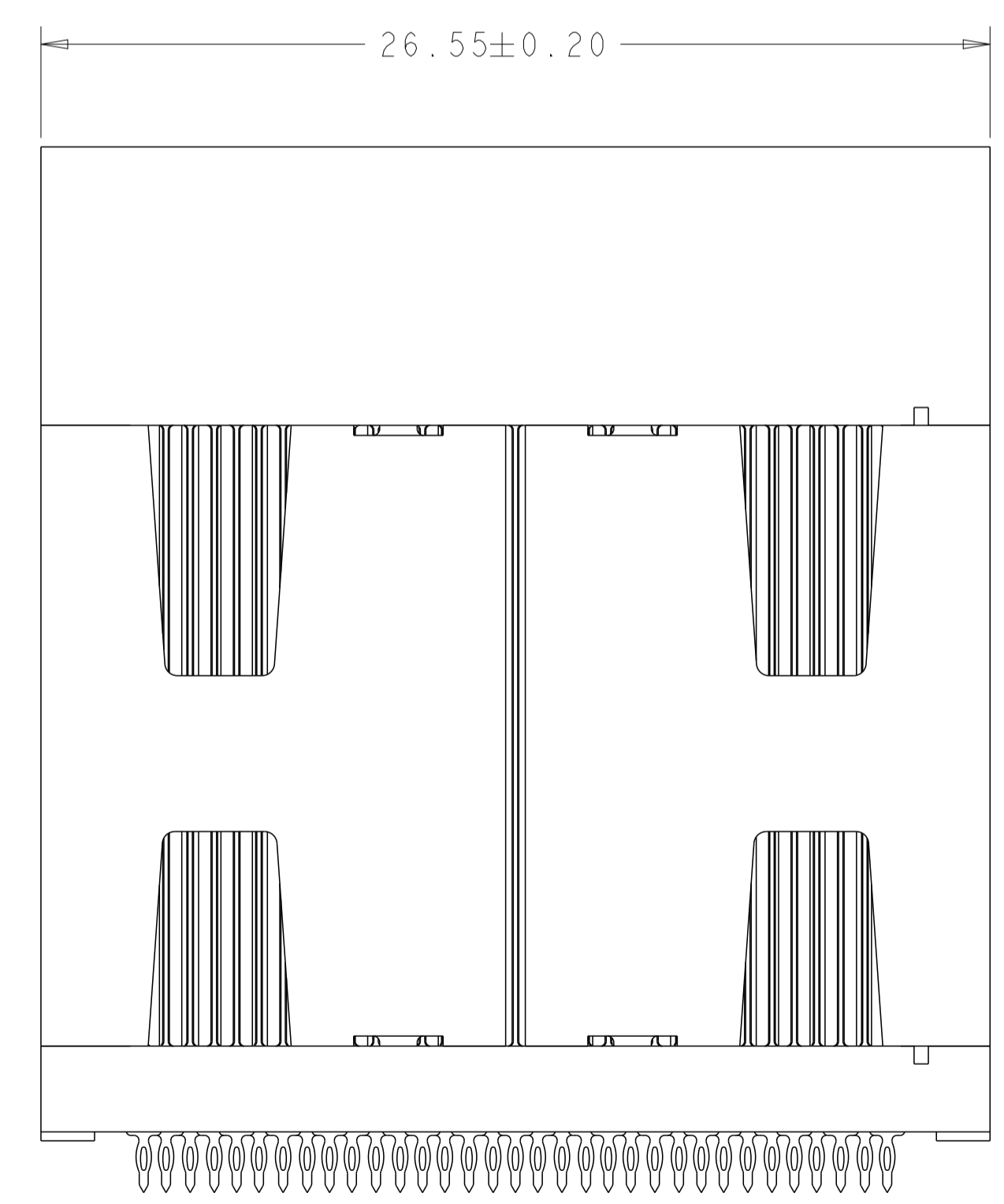
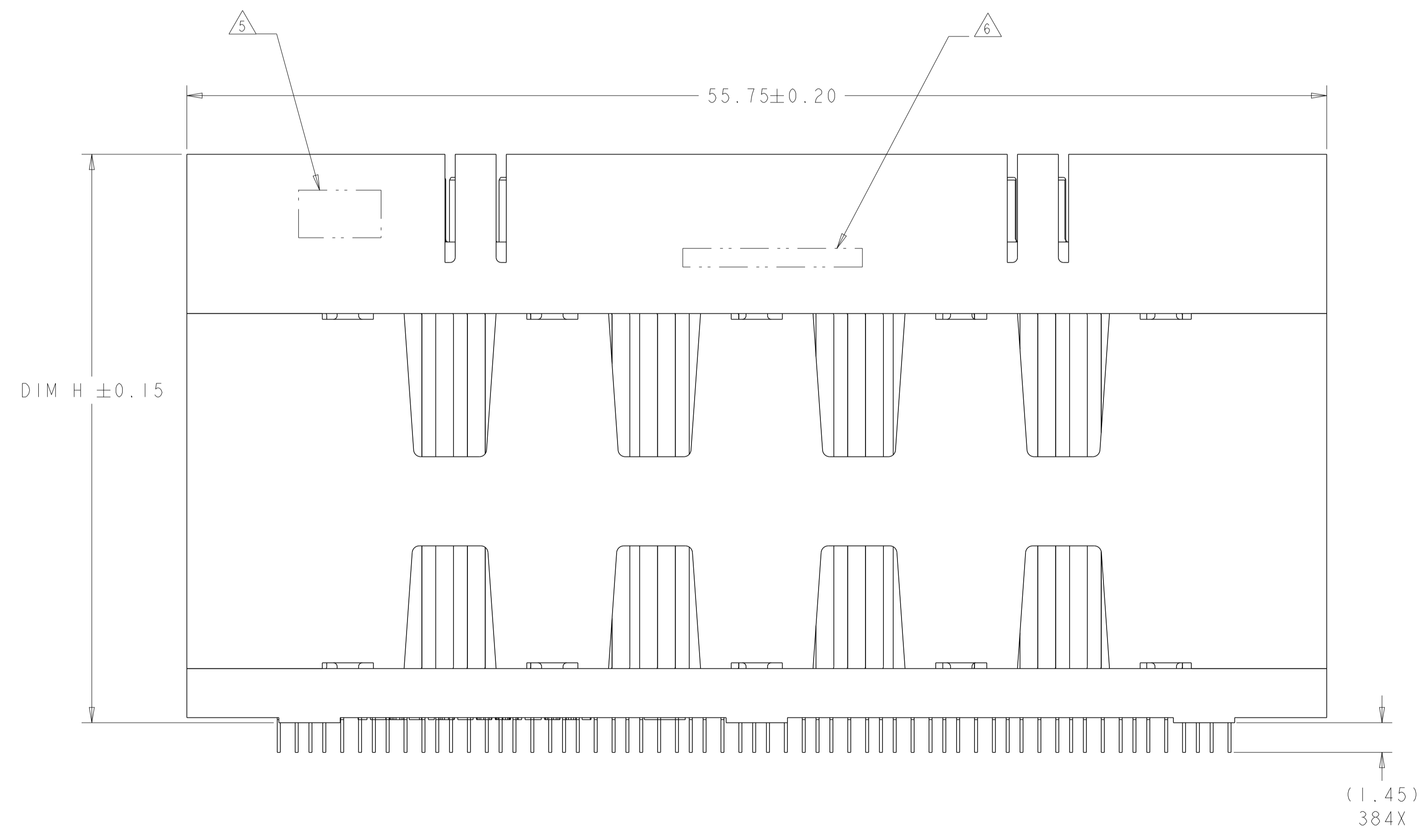


LOC	DIST	REVISIONS					
GP	00	P	LTN	DESCRIPTION	DATE	DWN	APVD
		A		REVISED PER ECO-12-018201	17OCT2012	KH	MH



- △ MATERIAL:
BASE HOUSING, UPPER HOUSING, ORGANIZER,
AND SPACER: THERMOPLASTIC, FLAMMABILITY
RATING UL94-V0
CONTACT: COPPER ALLOY
- 2. CONFORMS TO THE REQUIREMENTS OF TE PRODUCT
SPECIFICATION, 108-2375; BASED ON TELCORDIA
GR-1217-CORE FOR SYSTEM QUALITY LEVEL III,
APPLICATIONS IN CONTROLLED ENVIRONMENTS
(CENTRAL OFFICE).
SEE TE PRODUCT SPECIFICATION 108-2375 FOR
TEST SEQUENCES.
- △ ROWS GA THRU GJ (SHOWN DARKENED) ARE TYPICALLY
USED AS GROUNDS.
- △ SPECIFIED POSITIONAL TOLERANCE DEFINES HOLE TO
HOLE LOCATION WITHIN HOLE PATTERN. POSITIONAL
TOLERANCE OF HOLE PATTERN TO FIDUCIAL MARKS
OR PCB DATUMS SHALL BE DEFINED BY CUSTOMER.
- △ AREA RESERVED FOR TE CONNECTIVITY LOGO.
- △ AREA RESERVED FOR PART NUMBER (X-XXXXXXX-X)
AND DATE CODE (YYWW).
- △ USE CENTERLINES INDICATED ON PCB HOLE PATTERN
TO ESTABLISH ALIGNMENT BETWEEN HEADER AND
RECEPTACLE BOARDS.
- △ PLATED THROUGH HOLE REQUIREMENTS:
HOLE SIZE PRIOR TO PLATING = $\varnothing 0.420 \pm 0.013$
COPPER PLATING THICKNESS = 0.038 ± 0.013
CALCULATED FINISHED HOLE SIZE = $\varnothing 0.344 \pm 0.039$
THESE DIMENSIONS APPLY TO THE TOP 1.25mm OF
THE PCB THICKNESS FROM THE CONNECTOR MOUNTING
SIDE.
- △ CONTACT SALES FOR AVAILABILITY OF THIS STACK
HEIGHT.

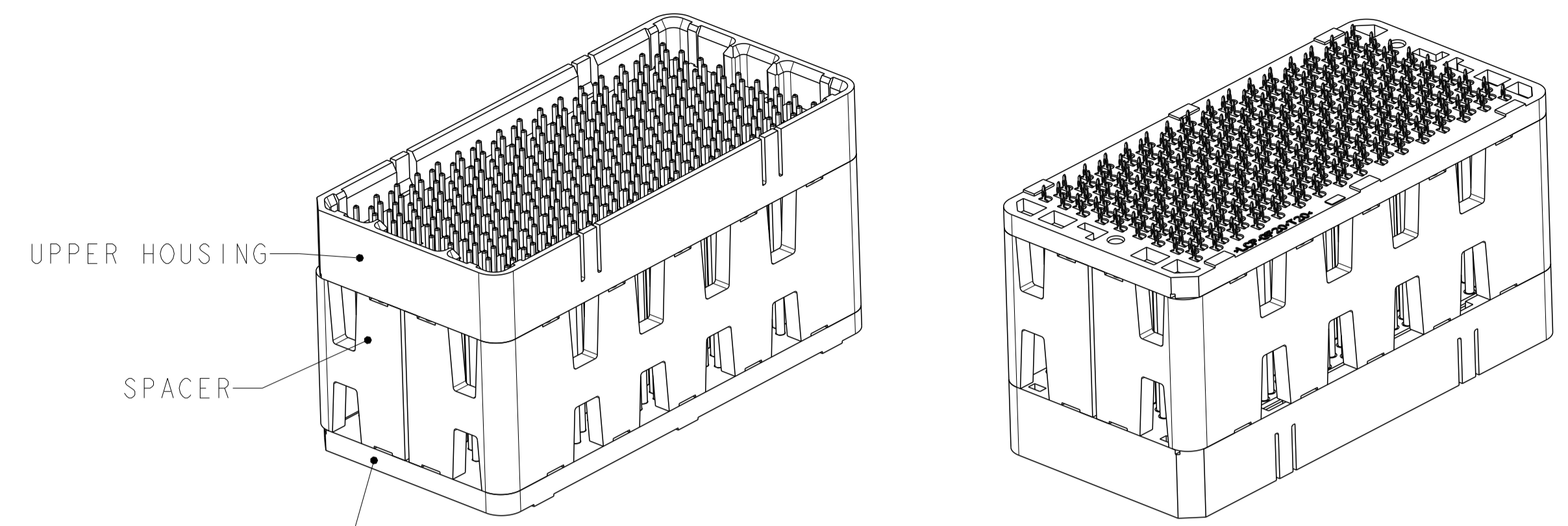


SIZE 3 HOUSING *
120 DIFFERENTIAL PAIRS
384 TOTAL SIGNAL CONTACTS

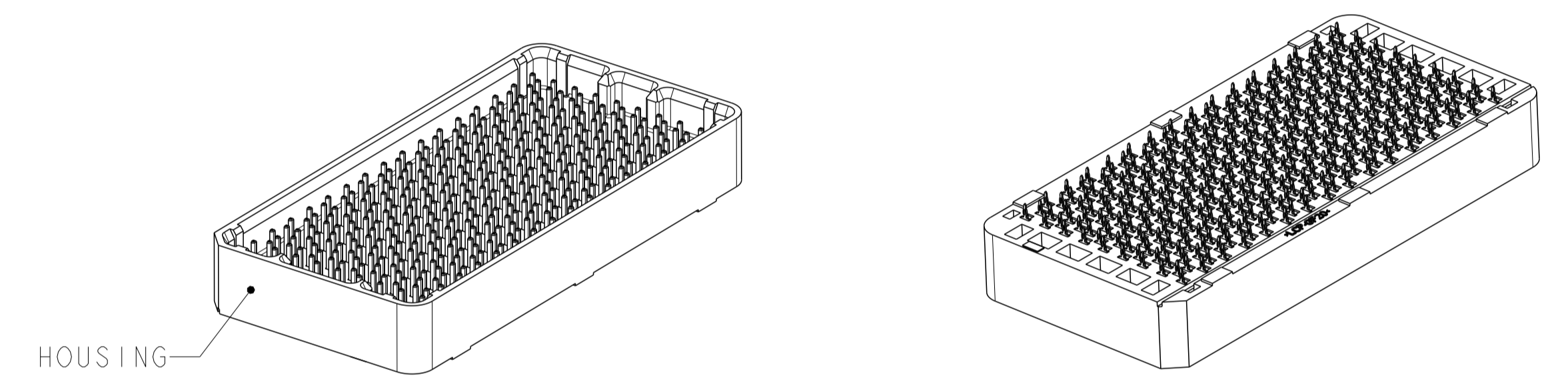
* SIZE 1 AND SIZE 2 ARE ALSO AVAILABLE

THIS DRAWING IS A CONTROLLED DOCUMENT.		DWN D. RINGLER 26FEB2009	TE Connectivity	
DIMENSIONS:		CHK D. TROUT 26FEB2009		
mm	TOLERANCES UNLESS OTHERWISE SPECIFIED:	APVD J. FEEDER 26FEB2009	NAME HEADER ASSEMBLY 120/384 SIGNAL STRADA MESA MEZZANINE CONNECTOR	
0 PLC ±	1 PLC ±0.13	PRODUCT SPEC 108-2375	SIZE CAGE CODE DRAWING NO RESTRICTED TO	
3 PLC ±0.013	4 PLC ±	APPLICATION SPEC 114-13249	A100779C=2110400	
ANGLES ±	FINISH ±	WEIGHT	SCALE 6:1 SHEET 1 OF 4 REV A	
MATERIAL		CUSTOMER DRAWING		

LOC	DIST	REVISIONS					
GP	00	P	LYN	DESCRIPTION	DATE	OWN	APVD
		-		SEE SHEET 1			



ISOMETRIC VIEW
 TYPICAL CONFIGURATION FOR 14mm THRU 42mm
 28mm SHOWN
 SCALE 2:1



ISOMETRIC VIEW
 TYPICAL CONFIGURATION FOR 8mm THRU 13mm
 8mm SHOWN
 SCALE 2:1

△	41.8	42mm	MATTE Sn	9-2110400-2
△	40.8	41mm	MATTE Sn	9-2110400-1
YES	39.8	40mm	MATTE Sn	9-2110400-0
△	38.8	39mm	MATTE Sn	8-2110400-9
△	37.8	38mm	MATTE Sn	8-2110400-8
△	36.8	37mm	MATTE Sn	8-2110400-7
△	35.8	36mm	MATTE Sn	8-2110400-6
△	34.8	35mm	MATTE Sn	8-2110400-5
△	33.8	34mm	MATTE Sn	8-2110400-4
△	32.8	33mm	MATTE Sn	8-2110400-3
△	31.8	32mm	MATTE Sn	8-2110400-2
△	30.8	31mm	MATTE Sn	8-2110400-1
△	29.8	30mm	MATTE Sn	8-2110400-0
△	28.8	29mm	MATTE Sn	7-2110400-9
YES	27.8	28mm	MATTE Sn	7-2110400-8
△	26.8	27mm	MATTE Sn	7-2110400-7
△	25.8	26mm	MATTE Sn	7-2110400-6
△	24.8	25mm	MATTE Sn	7-2110400-5
△	23.8	24mm	MATTE Sn	7-2110400-4
YES	22.8	23mm	MATTE Sn	7-2110400-3
△	21.8	22mm	MATTE Sn	7-2110400-2
△	20.8	21mm	MATTE Sn	7-2110400-1
△	19.8	20mm	MATTE Sn	7-2110400-0
△	18.8	19mm	MATTE Sn	6-2110400-9
△	17.8	18mm	MATTE Sn	6-2110400-8
△	16.8	17mm	MATTE Sn	6-2110400-7
△	15.8	16mm	MATTE Sn	6-2110400-6
△	14.8	15mm	MATTE Sn	6-2110400-5
△	13.8	14mm	MATTE Sn	6-2110400-4
△	12.8	13mm	MATTE Sn	6-2110400-3
△	11.8	12mm	MATTE Sn	6-2110400-2
△	10.8	11mm	MATTE Sn	6-2110400-1
YES	9.8	10mm	MATTE Sn	6-2110400-0
△	8.8	9mm	MATTE Sn	5-2110400-9
△	7.8	8mm	MATTE Sn	5-2110400-8
TOOLED	DIM H	STACK HEIGHT	CONTACT TAIL PLATING	PART NUMBER

△	41.8	42mm	Sn/Pb	4-2110400-2
△	40.8	41mm	Sn/Pb	4-2110400-1
YES	39.8	40mm	Sn/Pb	4-2110400-0
△	38.8	39mm	Sn/Pb	3-2110400-9
△	37.8	38mm	Sn/Pb	3-2110400-8
△	36.8	37mm	Sn/Pb	3-2110400-7
△	35.8	36mm	Sn/Pb	3-2110400-6
△	34.8	35mm	Sn/Pb	3-2110400-5
△	33.8	34mm	Sn/Pb	3-2110400-4
△	32.8	33mm	Sn/Pb	3-2110400-3
△	31.8	32mm	Sn/Pb	3-2110400-2
△	30.8	31mm	Sn/Pb	3-2110400-1
△	29.8	30mm	Sn/Pb	3-2110400-0
△	28.8	29mm	Sn/Pb	2-2110400-9
YES	27.8	28mm	Sn/Pb	2-2110400-8
△	26.8	27mm	Sn/Pb	2-2110400-7
△	25.8	26mm	Sn/Pb	2-2110400-6
△	24.8	25mm	Sn/Pb	2-2110400-5
△	23.8	24mm	Sn/Pb	2-2110400-4
YES	22.8	23mm	Sn/Pb	2-2110400-3
△	21.8	22mm	Sn/Pb	2-2110400-2
△	20.8	21mm	Sn/Pb	2-2110400-1
△	19.8	20mm	Sn/Pb	2-2110400-0
△	18.8	19mm	Sn/Pb	1-2110400-9
△	17.8	18mm	Sn/Pb	1-2110400-8
△	16.8	17mm	Sn/Pb	1-2110400-7
△	15.8	16mm	Sn/Pb	1-2110400-6
△	14.8	15mm	Sn/Pb	1-2110400-5
△	13.8	14mm	Sn/Pb	1-2110400-4
△	12.8	13mm	Sn/Pb	1-2110400-3
△	11.8	12mm	Sn/Pb	1-2110400-2
△	10.8	11mm	Sn/Pb	1-2110400-1
YES	9.8	10mm	Sn/Pb	1-2110400-0
△	8.8	9mm	Sn/Pb	2110400-9
△	7.8	8mm	Sn/Pb	2110400-8
TOOLED	DIM H	STACK HEIGHT	CONTACT TAIL PLATING	PART NUMBER

THIS DRAWING IS A CONTROLLED DOCUMENT. DWG: D. RINGLER 26FEB2009
 CHK: D. TROUT 26FEB2009
 APVD: J. FEEDER 26FEB2009

STE TE Connectivity

NAME: HEADER ASSEMBLY
 120/384 SIGNAL
 STRADA MESA MEZZANINE CONNECTOR

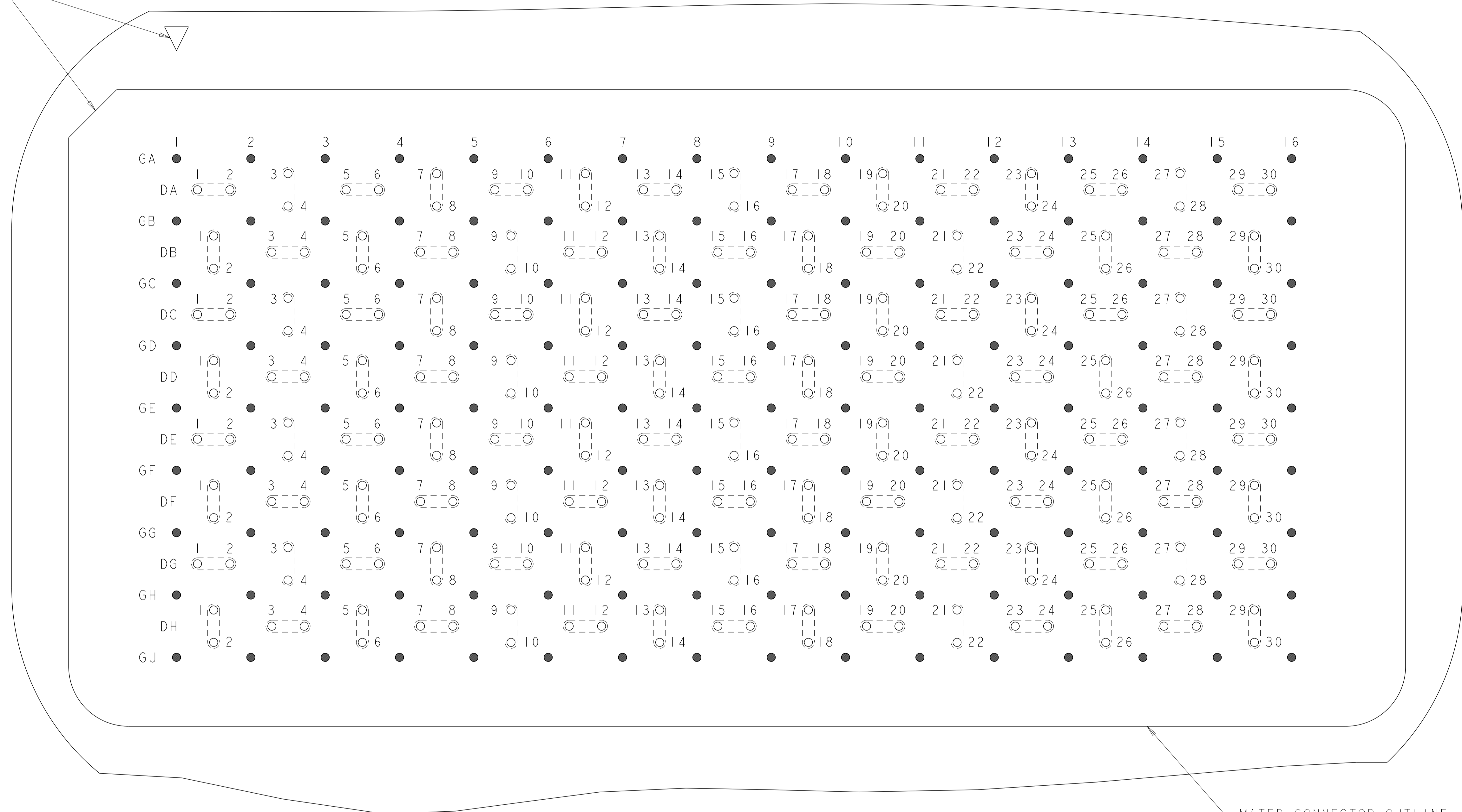
PRODUCT SPEC: 108-2375
 APPLICATION SPEC: 114-13249

SIZE: A1 CAGE CODE: 2110400 DRAWING NO: 100779
 WEIGHT: -

CUSTOMER DRAWING SCALE: 6:1 SHEET: 2 OF 4 REV: A


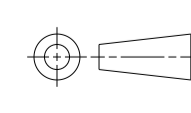
LOC		DIST		REVISIONS			
P	LTN	DESCRIPTION	DATE	DMN	APVD		
-	-	SEE SHEET 1	-	-	-		

AI CORNER INDICATORS.

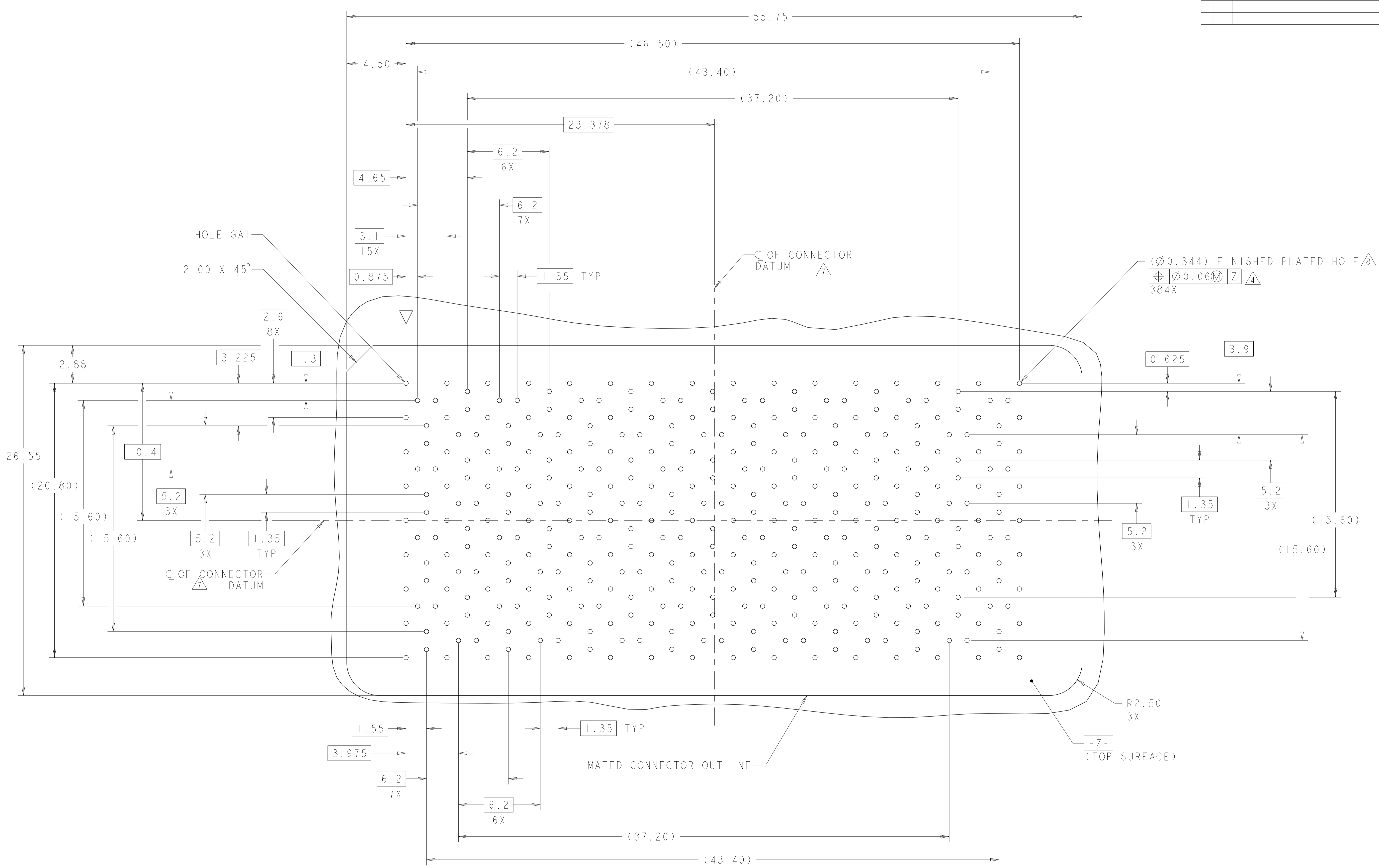


MATED CONNECTOR OUTLINE
 SEE SHEET 4 FOR LOCATION TO HOLES

PCB LAYOUT AND PIN IDENTIFICATION 
 SHOWN FROM CONNECTOR SIDE
 SCALE 10:1

THIS DRAWING IS A CONTROLLED DOCUMENT.		DMN D. RINGLER 26FEB2009	 TE Connectivity
DIMENSIONS:		CHK D. TROUT 26FEB2009	
mm	TOLERANCES UNLESS OTHERWISE SPECIFIED:	APVD J. FEEDER 26FEB2009	NAME HEADER ASSEMBLY
	0 PLC ± 2 PLC ±0.13 3 PLC ±0.013 4 PLC ± ANGLES ±1	PRODUCT SPEC 108-2375	120/384 SIGNAL
MATERIAL	FINISH	APPLICATION SPEC 114-13249	STRADA MESA MEZZANINE CONNECTOR
		WEIGHT	SIZE CAGE CODE DRAWING NO RESTRICTED TO A100779C=2110400
		CUSTOMER DRAWING	SCALE 6:1 SHEET 3 OF 4 REV A

LOC		DIST		REVISIONS			
P	LTN	DESCRIPTION	DATE	DWN	APVD		
-	-	SEE SHEET 1	-	-	-		



PCB HOLE PATTERN
 SHOWN FROM CONNECTOR SIDE
 SCALE 7:1

THIS DRAWING IS A CONTROLLED DOCUMENT.		DWN D. RINGLER 26FEB2009	TE Connectivity
DIMENSIONS:		CHK D. TROUT 26FEB2009	
mm	TOLERANCES UNLESS OTHERWISE SPECIFIED:	APVD J. FEEDER 26FEB2009	NAME
0 PLC ± 2 PLC ±0.13 3 PLC ±0.013 4 PLC ± ANGLES ±1	PRODUCT SPEC 108-2375 APPLICATION SPEC 114-13249	SIZE A100779	DRAWING NO C=2110400
MATERIAL	FINISH	WEIGHT	RESTRICTED TO
-	-	-	CUSTOMER DRAWING
SCALE 6:1		SHEET 4 OF 4	REV A