

PRODUCT NUMBER

77313-YXX-XXLF

PLATING SEE SHEET 2

PIN STYLE SEE SHEET 2

RoHS COMPATIBLE
SEE NOTE 7

TOTAL NB OF POSITIONS 04 TO 72
OPTION LETTERS : NOTE 8

PRODUCT NUMBER (BERGSTRIK PACKAGING)

77313-YXX-OOLF

PLATING

INDICATES THE PRODUCT IS RoHS
COMPATIBLE, SEE NOTE 6

POSITIONS PER REEL : 00=45,000 (BERGSTRIK)

1= 0.76µm GOLD/GXT ON CONTACT
AREA, 2µm TIN MIN ON TAILS

8= 0.38µm GOLD/GXT ON CONTACT
AREA, 2µm TIN MIN ON TAILS

4= 2.0µm TIN MIN FULL PLATED

1.27µm NICKEL MIN UNDERLAYER FOR
ALL PLATING VERSIONS

NOTES:

1. HOUSING MAT'L : HIGH TEMPERATURE
THERMOPLASTIC. UL94V-0 COLOR: BLACK

2. PIN MATERIAL : PHOSPHOR BRONZE

3. BERGSTRIK PRODUCT PACKAGED IN POLY BAGS.
BERGSTRIK PRODUCT PACKAGED PER REELS.

4. 9N MIN RETENTION IN EITHER DIRECTION

5. TO DETERMINE DIMENSIONS :
N = NUMBER OF POSITIONS PER ROW
EXAMPLE : 8 POS N x 2.54 = 20.32mm

6. FOR PIN IN PASTE SOLDERING APPLICATION :
FINISHED PLATED HOLE Ø1.02-Ø1.06
LAND Ø1.45 MAX

7. RoHS COMPATIBLE PRODUCT SPECIFICATIONS

a - PLATING:

- "LF" MEANS THE PRODUCT IS LEAD-FREE, 2µm MINIMUM
MATTE TIN OVER 1.27µm MINIMUM NICKEL UNDERPLATE

b - MANUFACTURING PROCESS COMPATIBILITY

- THE HOUSING WILL WITHSTAND EXPOSURE TO 260°C ±5°C SOLDER BATH TEMPERATURE
FOR 5 SECONDS IN A WAVE SOLDER APPLICATION WITH A 1.6mm MIN THICK CIRCUIT BOARD

c - LABELING:

- MEETS PACKAGING SPECS AS PER GS-14-920

d - LEGAL STATEMENT: SEE GS-47-0004

8. OPTIONS :

- = POLYBAG PACK

"A" = TAPE & REEL WITH CAP

"T" = STANDARD TUBE PACKAGING

"V" = BLIBOX PACK FOR VALEO

"AV" = TAPE & REEL WITH CAP FOR VALEO

"KV" = TAPE & REEL WITHOUT CAP FOR VALEO

"TV" = TUBE WITHOUT CAP FOR VALEO

"R" = RETENTION FEATURE PAGE 2

IF RETENTION FEATURE "R" AND TUBE PACKAGING "T" ARE BOTH REQUIRED

OPTIONAL LETTER "R" WILL APPEAR INSTEAD OF THE FIRST DASH

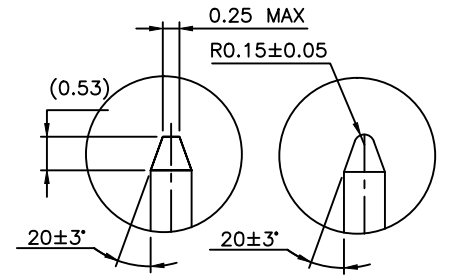
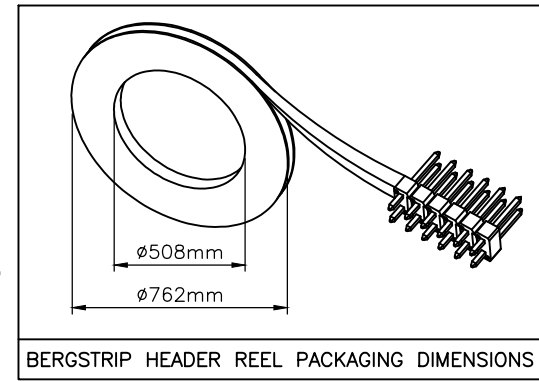
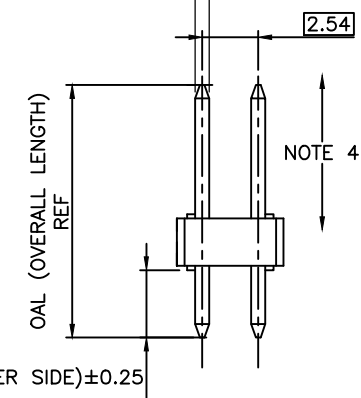
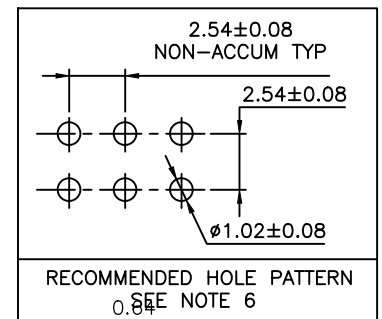
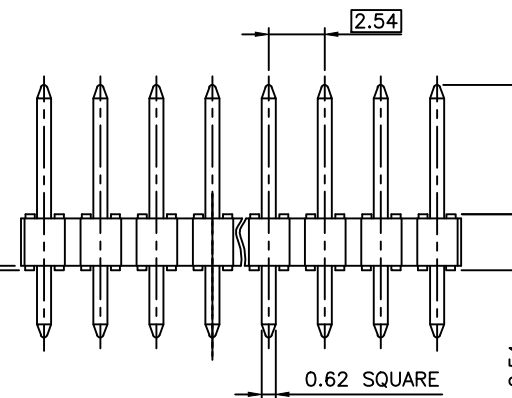
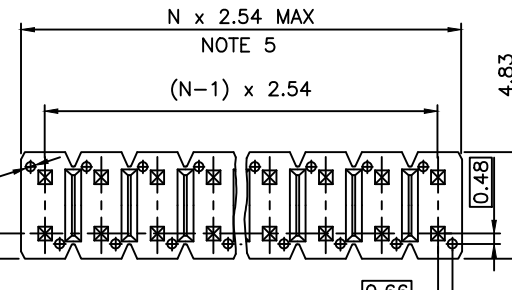
EXAMPLE : 77313R118T40LF

PIN STYLE	MATING	SOLDER	OAL
01	5.84	2.41	10.8
02	5.84	3.42	11.8
18	5.84	3.05	11.43
22	7.75	3.05	13.35
24	6.75	2.9	12.2
27	6.6	2.66	11.8

Ø0.4±0.05 TYP

1.14 REF

0.2±0.03 TYP



BERGSTRIK HEADER REEL PACKAGING DIMENSIONS

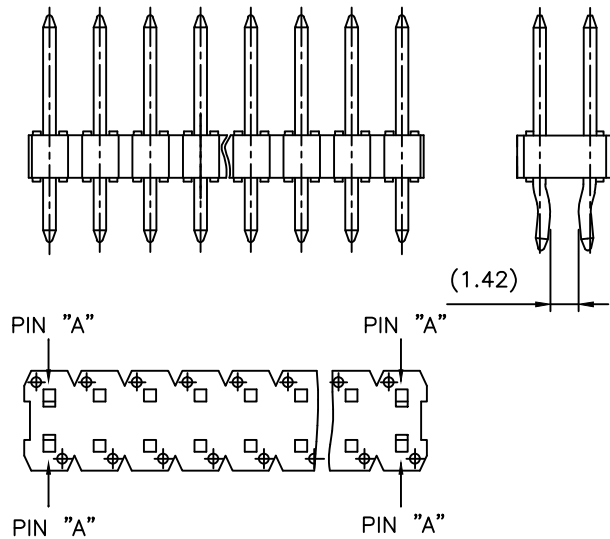
PIN TYP DETAILS

mat'l. code SEE NOTES				surface ISO 1302 ✓		tolerance ISO 406 ISO 1101		projection		product family BERGSTIK	
ltr	ecn	no	dr	date	tolerances unless otherwise specified			mm		title	
BP	F11-0320	LMU		12.01.25	angles	linear	.x ±0.3	mm		UNSHR.HEADER STR DR TMT	
BR	B-16639	JCO		14.01.03			.xx ±0.15	scale 5:1		dwg no	
BS	B-18917	LMU		14.09.26			.xxx ±0.05			sheet 1 of 2	
					dr	D.LE	01.01.24			size	
					enrg	JM.C	01.01.24			A3	
					chr	JM.C	01.01.24			77313	
					appd	JCO	01.01.24			type CUSTOMER Drawing	
sheet	revision	BS	BE								
index	sheet	1	2								

PLATING

- 1 = 0.76µm GOLD/GXT ON CONTACT AREA, 2µm TIN MIN ON TAIL
- 4 = 2µm TIN MIN FULL PLATED
- 5 = 0.25µm GOLD/GXT ON CONTACT AREA, 2µm TIN MIN ON TAIL
- 8 = 0.38µm GOLD/GXT ON CONTACT AREA, 2µm TIN MIN ON TAIL
- G = 0.76µm FULL GXT
- S = 0.38µm FULL GXT
- 1.27µm NICKEL MIN UNDERLAYER FOR ALL PLATING VERSIONS

RETENTION OPTION



NOTES:

1. PART NUMBER 77313-YXXRXX(LF)
2. 4 PINS "A" USED FOR RETENTION
DIRECTION OF RETENTION SHOWN BY ARROWS
PIN "A" AT EACH END OF HEADER.
3. FOR RETENTION OPTION , SOLDER TAIL LENGTH TO BE
2.9 MIN UP TO 3.5 MAX.

PRODUCTS SPECIFICATIONS			
PIN STYLE	MATING	SOLDER	OAL
01	5.84	2.41	10.8
02	5.84	3.42	11.8
03	5.72	5.09	13.35
04	5.72	7.64	15.90
15	8.51	2.55	13.6
18	5.84	3.05	11.43
19	12.83	3.03	18.4
20	15.37	3.04	20.95
22	7.75	3.05	13.35
24	6.75	2.9	12.2
27	6.6	2.65	11.8
29	17.46	3.50	23.5
38	5.84	3.82	12.20
46	8.08	2.98	13.6
52	9.5	3.05	15.09
57	8.46	3.05	14.05
58	14.47	3.05	20.06
83	20.46	3.0	26.0
85	10.5	2.9	15.9
87	6.98	3.05	12.57

PRODUCTS SPECIFICATIONS			
PIN STYLE	MATING	SOLDER	OAL
89	6.93	5.00	14.47
90	6.75	4.05	13.34
91	5.60	10.21	18.4
92	5.65	12.76	20.95
93	6.00	4.81	13.35
94	9.65	2.90	15.09
95	8.90	3.60	15.09
96	20.83	3.05	26.42
97	14.70	3.70	20.95
98	6.00	6.00	14.47
99	8.05	2.25	12.8
AA	11.90	3.30	17.70
AB	7.00	1.50	11.00
AC	N/A		
AD	8.51	10.59	21.64
AE	3.30	3.30	9.14
AF	N/A		
AG	4.79	3.00	10.33
AH	2.67	3.43	8.64
AJ	8.00	8.00	18.54
AK	7.00	7.00	16.54
AL	5.90	1.60	10.05

mat'l. code		surface ISO 1302 ✓		tolerance ISO 406 ISO 1101		projection mm		product family BERGSTIK	
ltr	ecn no	dr	date	tolerances unless otherwise specified		mm		title UNSHR.HEADER STR DR TMT	
BE	B-18917	LMU	14.09.26	angles	Linear	scale N/A		dwg no 77313	
AY	F09-0095	JCO	09.11.02					sheet 2 of - size A3	
BA	F11-0055	LMU	11.06.08	dr	D.LE	01.01.24			
BB	F11-0307	LMU	11.09.26	enr	JM.C	01.01.24			
BC	F11-0320	LMU	12.01.25	chr	JM.C	01.01.24			
BD	B-16639	JCO	14.01.03	appd	JF.N	01.01.24			
sheet index	revision sheet								