

CF-LA

High In-Rush Rocker Switches

Simple Dustproof

FUJISOKU SWITCHES



UL

C-US UL

ENEC

RoHS Compliant

Approvals

C-US UL, UL: E43275
ENEC: 1312466

Features

1. High in-rush rocker switch
2. Rush Solder Terminals
3. Five types of terminal (Tab, PC Straight, R/A and L/A)
4. Simple dustproof structure (IP40 rating)
5. C-US UL, UL (TV-8) and ENEC approved products.

Specifications

Rating	Max.	16A125V AC or 16A250V AC (Resistive load)
	Min.	AC/DC5V 10mA
Initial contact resistance	20mΩ max.	
Initial Dielectric strength	1500V AC 1minute.	
Initial insulation resistance	100MΩ min.	
Operating force	1~8N	
Electrical life	20,000 cycles	
Operating temperature range	-25~+85°C	
Storage temperature range	-40~+85°C	

Part Numbering

CF-LA — **2** **K** **Z2** — **1** **C**

Series code Number of poles Switching function Terminal style Roker design Packaging spec

Fig.	Number of poles
1	1 pole
2	2 poles

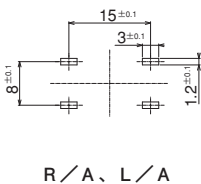
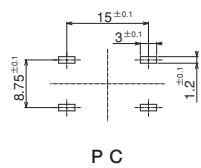
Code	Switching function
A	ON — OFF
K	ON — OFF

Code	Terminal style
C	PC Straight
C4	PC-R/A
C5	PC-L/A
L	Solder Terminals
Z2	TAB:#250

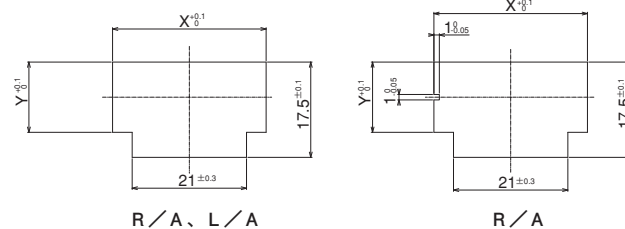
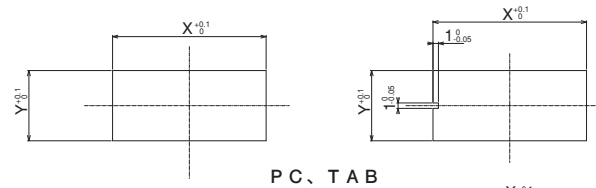
Fig.	Roker design	Fig.	Roker design
1	Unfigured	4	
2		5	
3		6	ON OFF

Code	Packaging spec
Blank	Plastic bags
C	Card board Tray

PC Hole Layouts



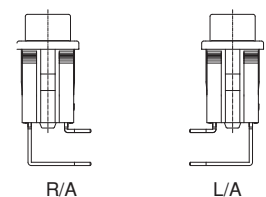
Panel Cut-Out Dimensions



Panel thickness	X	Y
0.75~1.25	28.2	12.9
1.25以上~2	28.4	12.9
2~3	28.8	12.9

Terminal Styles

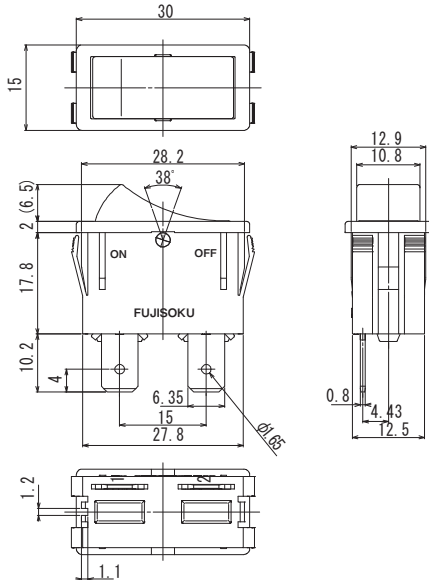
Solder Terminals (Style:L)	TAB#250 (Style:Z2)	PC Straight (Style:C)	R/A (Style:C4) L/A (Style:C5)



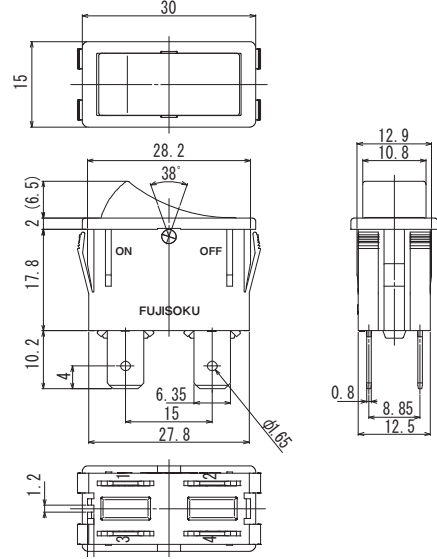
※ For the L/A terminal, only two poles are available.

Outline dimensions

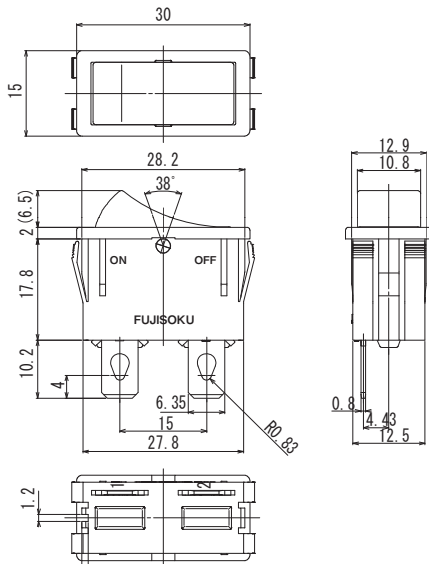
● Tab:#250 1Pole



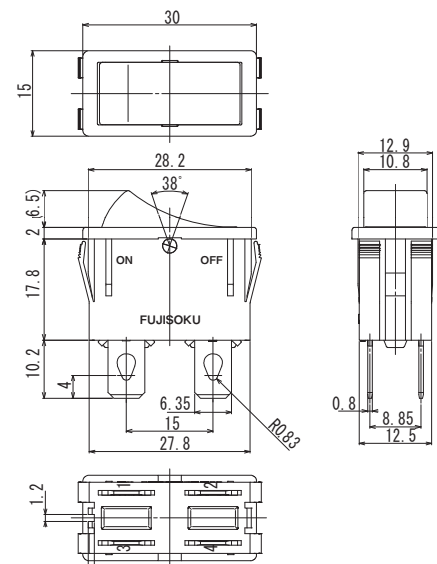
● Tab:#250 2Poles



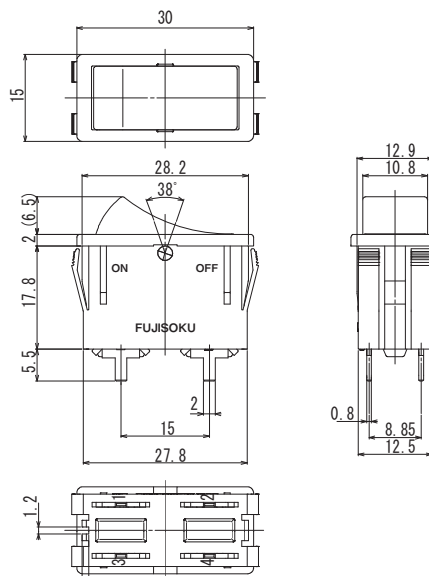
● Solder 1Pole



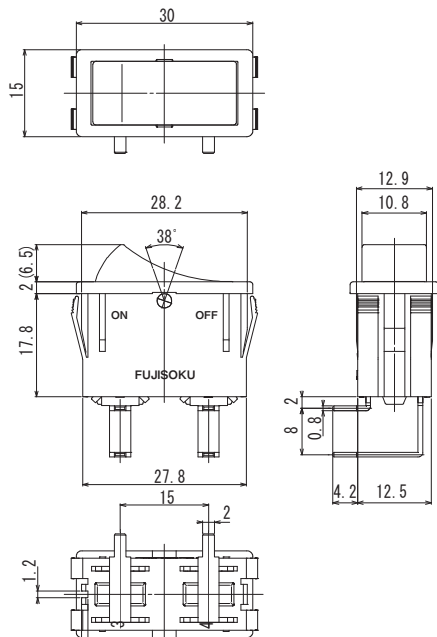
● Solder 2Poles



● P/C 1and2Poles



● PC-R/A 2Poles



List part numbers

Number of poles	Switching function	Terminal style	Rocker design			Pieces in package	Packaging spec		
			No marking	●	○				
1 Pole	ON-OFF	PC Straight	CF-LA-1AC-1C	CF-LA-1AC-2C	CF-LA-1AC-3C	100pcs./pack	Card board Tray		
		PC-R/A	CF-LA-1AC4-1C	CF-LA-1AC4-2C	CF-LA-1AC4-3C				
		Solder Terminals	CF-LA-1AL-1C	CF-LA-1AL-2C	CF-LA-1AL-3C				
		Tab:#250	CF-LA-1AZ2-1C	CF-LA-1AZ2-2C	CF-LA-1AZ2-3C				
2 Poles	ON-OFF	PC Straight	CF-LA-2KC-1C	CF-LA-2KC-2C	CF-LA-2KC-3C			5pcs./pack	Plastic bags
		PC-R/A	CF-LA-2KC4-1C	CF-LA-2KC4-2C	CF-LA-2KC4-3C				
		PC-L/A	CF-LA-2KC5-1C	CF-LA-2KC5-2C	CF-LA-2KC5-3C				
		Solder Terminals	CF-LA-2KL-1C	CF-LA-2KL-2C	CF-LA-2KL-3C				
1 Pole	ON-OFF	PC Straight	CF-LA-1AC-1	CF-LA-1AC-2	CF-LA-1AC-3	5pcs./pack	Plastic bags		
		PC-R/A	CF-LA-1AC4-1	CF-LA-1AC4-2	CF-LA-1AC4-3				
		Solder Terminals	CF-LA-1AL-1	CF-LA-1AL-2	CF-LA-1AL-3				
		Tab:#250	CF-LA-1AZ2-1	CF-LA-1AZ2-2	CF-LA-1AZ2-3				
2 Poles	ON-OFF	PC Straight	CF-LA-2KC-1	CF-LA-2KC-2	CF-LA-2KC-3			5pcs./pack	Plastic bags
		PC-R/A	CF-LA-2KC4-1	CF-LA-2KC4-2	CF-LA-2KC4-3				
		PC-L/A	CF-LA-2KC5-1	CF-LA-2KC5-2	CF-LA-2KC5-3				
		Solder Terminals	CF-LA-2KL-1	CF-LA-2KL-2	CF-LA-2KL-3				
		Tab:#250	CF-LA-2KZ2-1	CF-LA-2KZ2-2	CF-LA-2KZ2-3				

Number of poles	Switching function	Terminal style	Rocker design			Pieces in package	Packaging spec		
			— ⊖	— ○	ON OFF				
1 Pole	ON-OFF	PC Straight	CF-LA-1AC-4C	CF-LA-1AC-5C	CF-LA-1AC-6C	100pcs./pack	Card board Tray		
		PC-R/A	CF-LA-1AC4-4C	CF-LA-1AC4-5C	CF-LA-1AC4-6C				
		Solder Terminals	CF-LA-1AL-4C	CF-LA-1AL-5C	CF-LA-1AL-6C				
		Tab:#250	CF-LA-1AZ2-4C	CF-LA-1AZ2-5C	CF-LA-1AZ2-6C				
2 Poles	ON-OFF	PC Straight	CF-LA-2KC-4C	CF-LA-2KC-5C	CF-LA-2KC-6C			5pcs./pack	Plastic bags
		PC-R/A	CF-LA-2KC4-4C	CF-LA-2KC4-5C	CF-LA-2KC4-6C				
		PC-L/A	CF-LA-2KC5-4C	CF-LA-2KC5-5C	CF-LA-2KC5-6C				
		Solder Terminals	CF-LA-2KL-4C	CF-LA-2KL-5C	CF-LA-2KL-6C				
1 Pole	ON-OFF	PC Straight	CF-LA-1AC-4	CF-LA-1AC-5	CF-LA-1AC-6	5pcs./pack	Plastic bags		
		PC-R/A	CF-LA-1AC4-4	CF-LA-1AC4-5	CF-LA-1AC4-6				
		Solder Terminals	CF-LA-1AL-4	CF-LA-1AL-5	CF-LA-1AL-6				
		Tab:#250	CF-LA-1AZ2-4	CF-LA-1AZ2-5	CF-LA-1AZ2-6				
2 Poles	ON-OFF	PC Straight	CF-LA-2KC-4	CF-LA-2KC-5	CF-LA-2KC-6			5pcs./pack	Plastic bags
		PC-R/A	CF-LA-2KC4-4	CF-LA-2KC4-5	CF-LA-2KC4-6				
		PC-L/A	CF-LA-2KC5-4	CF-LA-2KC5-5	CF-LA-2KC5-6				
		Solder Terminals	CF-LA-2KL-4	CF-LA-2KL-5	CF-LA-2KL-6				
		Tab:#250	CF-LA-2KZ2-4	CF-LA-2KZ2-5	CF-LA-2KZ2-6				

Soldering Specifications

(1) Auto Soldering

Device : Jet wave type or dip type
260°C ; 5-6 seconds, Max.

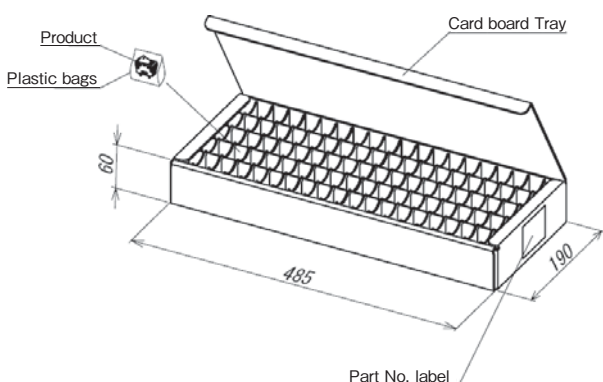
- Pre-heating should be done at temperatures ranging from 80°C to 150°C and within 2 or 3 minutes
The auto soldering is applicable to the PC terminals only.

(2) Manual Soldering

Device : Soldering iron
380°C, Max.; 3 seconds, Max.

Packing Specification

Card board Tray(100pcs. / pack)



Plastic bags (5pcs. / pack)

[Product packaging box]

