

CGA2B2C0G1H1R5C050BA

TDK Item Description : CGA2B2C0G1H1R5CT****



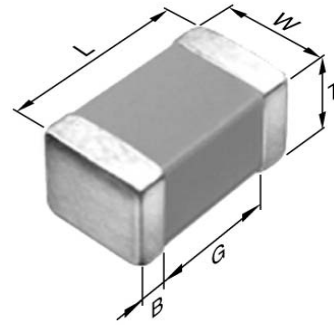
Equivalent C1005C0G1H1R5C for Automotive

Application & Main Feature

Automotive Grade (General (Up to 50V))

Series

CGA2(1005) [EIA CC0402]



Dimensions

L 1.00mm +/-0.05mm
 W 0.50mm +/-0.05mm
 T 0.50mm +/-0.05mm
 B 0.10mm Min.
 G 0.30mm Min.

Temperature Characteristic

C0G (-55 to 125 degC 0+/-30ppm/degC)

Rated Voltage

1H (50Vdc)

Capacitance

1.5pF

Capacitance Tolerance

C (+/-0.25pF)

Q Factor

430 Min.

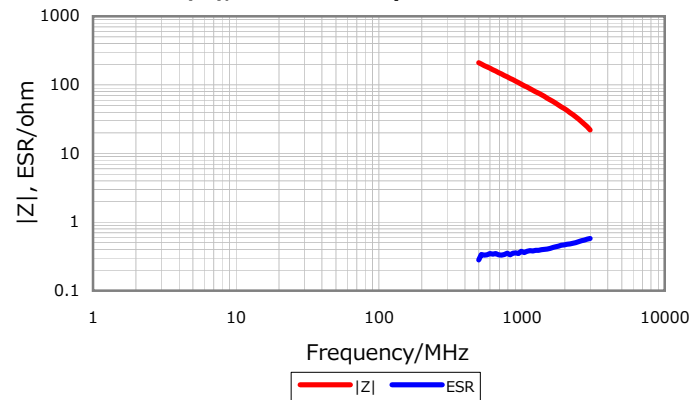
Insulation Resistance

10Gohm Min.

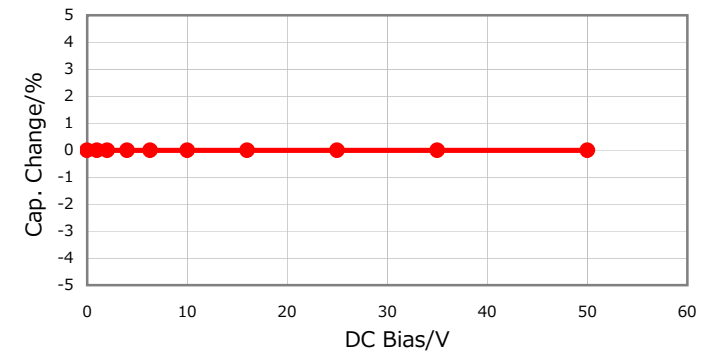
AEC-Q200

Yes

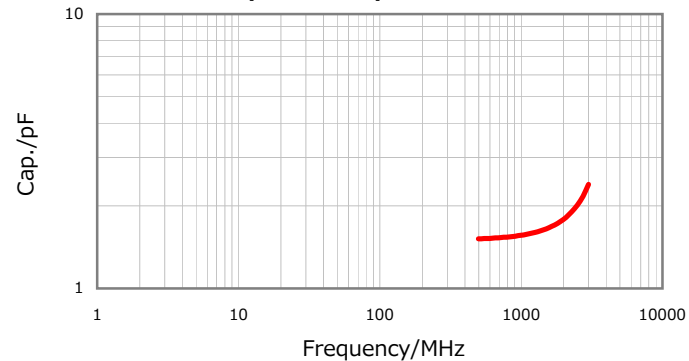
|Z|, ESR vs. Freq. Characteristics



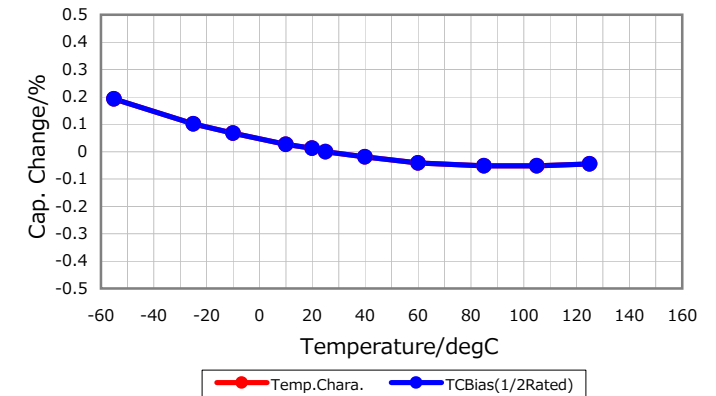
DC Bias Characteristic



Cap. vs. Freq. Characteristic



Temperature Characteristics



Characterization Sheet (Multilayer Ceramic Chip Capacitors)



All specifications are subject to change without notice.

January 4, 2016