



## L1803

Preliminary

LINEAR INTEGRATED CIRCUIT

### 1.5A ULTRA LOW DROPOUT LINEAR REGULATOR WITH PROGRAMMABLE SOFT-START

#### DESCRIPTION

The UTC **L1803** is a typical LDO that features a user-programmable soft-start, very low dropout voltage as low as 0.15V at output current 1.5A, an enable input and a power-good output.

The soft-start reduces inrush current of the load capacitors and minimizes stress on the input power source during start-up. An enable pin to further reduce power dissipation while shutdown. And power-good output indicates the output voltage status.

The UTC **L1803** is stable with any type of output capacitor of 2.2μF or more. A precision reference and feedback control deliver 2% accuracy over load, line, and operating temperature ranges.

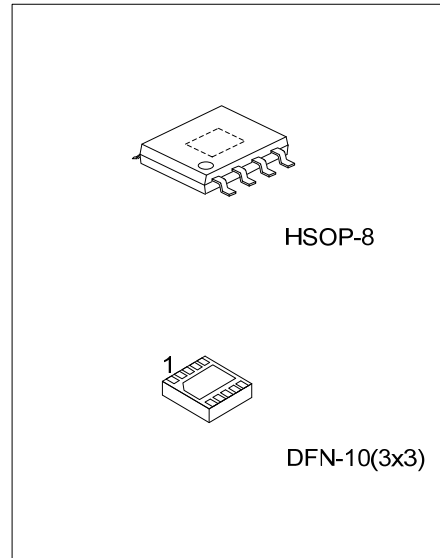
#### FEATURES

- \* Low  $V_{IN}$  and wide  $V_{IN}$  range: 1.0V~5.5V
- \* Bias voltage ( $V_{VCC}$ ) range: 2.7V~5.5V
- \* Low  $V_{OUT}$  range: 0.8V~3.3V
- \* 150mV dropout @1.5A,  $V_{VCC}=5V$
- \* 2% output Voltage
- \* Power-Good (PG) output
- \* Programmable soft-start provides linear voltage startup
- \* Stable with any output capacitor  $\geq 2.2\mu F$

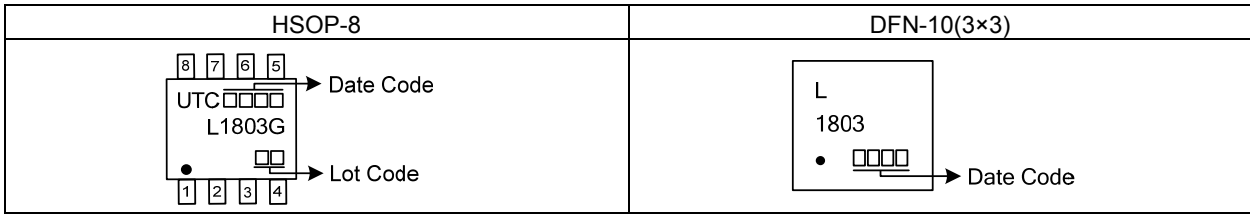
#### ORDERING INFORMATION

Ordering Number	Package	Packing
L1803G-SH2-R	HSOP-8	Tape Reel
L1803G-K10-3030-R	DFN-10(3x3)	Tape Reel

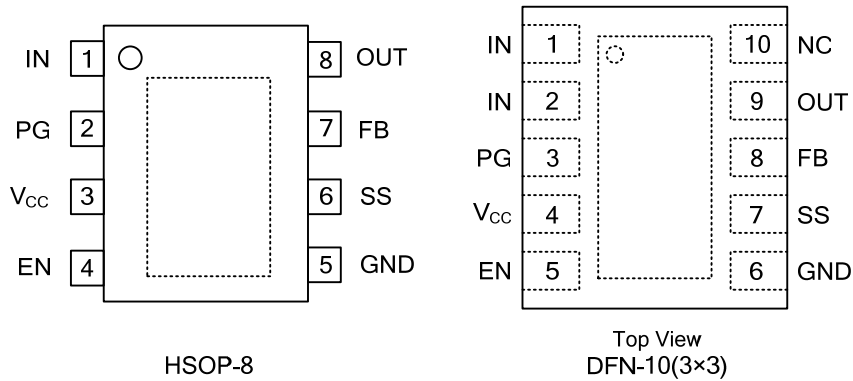
<p>L1803G-SH2-R</p> <ul style="list-style-type: none"> <li>(1) Packing Type</li> <li>(2) Package Type</li> <li>(3) Green Package</li> </ul>	<ul style="list-style-type: none"> <li>(1) R: Tape Reel</li> <li>(2) SH2: HSOP-8, K10-3030: DFN-10(3x3)</li> <li>(3) G: Halogen Free and Lead Free</li> </ul>
---	---



MARKING



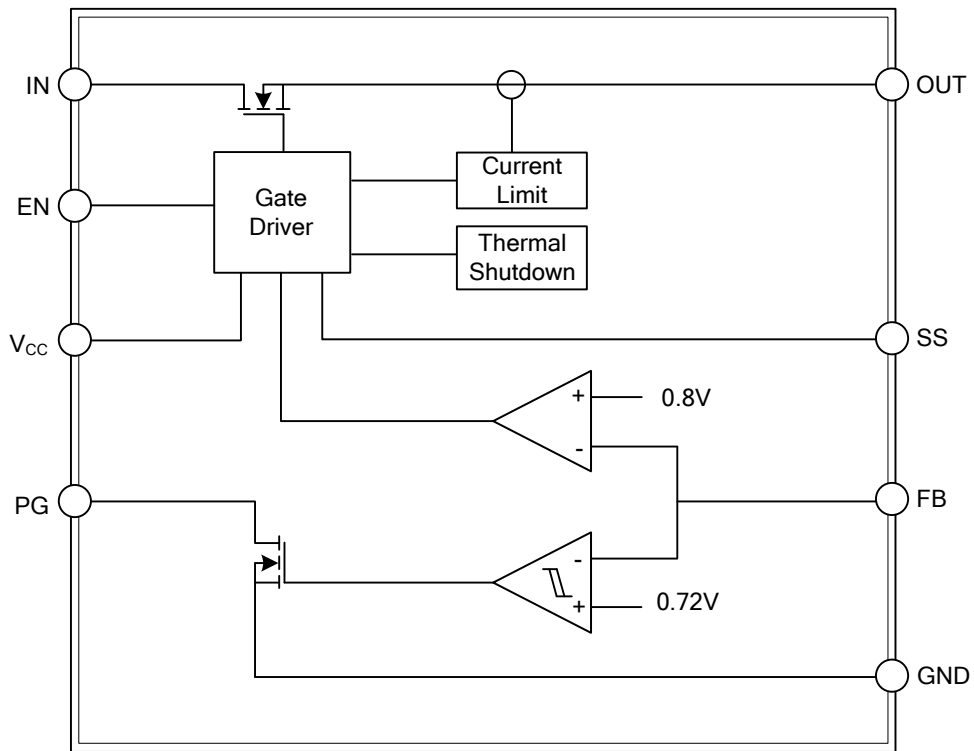
PIN CONFIGURATION



PIN DESCRIPTION

PIN NO.		PIN NAME	DESCRIPTION
HSOP-8	DFN-10(3×3)		
1	1, 2	IN	The main power Input pin.
2	3	PG	Power-good pin, open-drain output.
3	4	V <sub>CC</sub>	Bias input pin of the control circuitry
4	5	EN	Enable pin.
5	6	GND	Ground.
6	7	SS	Soft-start pin.
7	8	FB	Feedback pin.
8	9	OUT	Regulated output pin.
-	10	NC	NO Connection.

■ BLOCK DIAGRAM



### ■ ABSOLUTE MAXIMUM RATING

PARAMETER	SYMBOL	RATINGS	UNIT
Input Voltage Range	$V_{IN}, V_{VCC}$	-0.3~+6	V
Enable Voltage Range	$V_{EN}$	-0.3~+6	V
Power-Good Voltage Range	$V_{PG}$	-0.3~+6	V
Soft-Start Voltage Range	$V_{SS}$	-0.3~+6	V
Feedback Voltage Range	$V_{FB}$	-0.3~+6	V
Output Voltage Range	$V_{OUT}$	-0.3~ $V_{IN} + 0.3$	V
Maximum Output Current	$I_{OUT}$	Internally Limited	
Junction Temperature	$T_J$	-40~+150	°C
Storage Temperature	$T_{STG}$	-65~+150	°C

Note: Absolute maximum ratings are those values beyond which the device could be permanently damaged. Absolute maximum ratings are stress ratings only and functional device operation is not implied.

### ■ RECOMMENDED OPERATING CONDITIONS

PARAMETER	SYMBOL	MIN	TYP	MAX	UNIT
Input Voltage (Note)	$V_{IN}$	1.0		5.5	V
Bias Voltage	$V_{VCC}$	2.7		5.5	V
Output Current	$I_{OUT}$	0		1.5	A
Operating Ambient Temperature	$T_A$	-40		85	°C

Note: At  $V_{IN} = 1V$ , the maximum load currents may be lower than 1.5A.

### ■ THERMAL RESISTANCES CHARACTERISTICS

PARAMETER	SYMBOL	RATINGS	UNIT
Junction to Ambient	HSOP-8	150	°C/W
	DFN-10(3×3)	72 (Note )	°C/W

Note: The PCB area is 4 times larger than that of IC's

### ■ ELECTRICAL CHARACTERISTICS

At  $V_{EN} = 1.1V$ ,  $V_{IN} = V_{OUT} + 0.5V$ ,  $C_{VCC} = 0.1\mu F$ ,  $C_{IN} = C_{OUT} = 10\mu F$ ,  $I_{OUT} = 50mA$ ,  $V_{VCC} = 5.0V$ , and  $T_A = -40^\circ C \sim +85^\circ C$ , unless otherwise noted. Typical values are at  $T_A = +25^\circ C$ .

PARAMETER	SYMBOL	TEST CONDITIONS	MIN	TYP	MAX	UNIT
Input Voltage Range	$V_{IN}$		$V_{OUT} + V_{DO}$		5.5	V
Bias Pin Voltage Range (Note 2)	$V_{VCC}$		2.7		5.5	V
Internal Reference (Adj.)	$V_{REF}$	$T_A = +25^\circ C$	0.792	0.8	0.808	V
Output Voltage Range	$V_{OUT}$	$V_{IN} = 5V, I_{OUT} = 1.5A$	0.8		3.3	V
Accuracy (Note 2)		$3V \leq V_{VCC} \leq 5.5V, 50mA \leq I_{OUT} \leq 1.5A$	-2	±0.5	2	%
Line Regulation	$\frac{\Delta V_{OUT}}{\Delta V_{IN}} / \frac{V_{OUT}}{V_{OUT}}$	$V_{OUT (NOM)} + 0.5 \leq V_{IN}, 5.5V$		0.02		%/V
Load Regulation	$\frac{\Delta V_{OUT}}{\Delta I_{OUT}} / \frac{V_{OUT}}{V_{OUT}}$	$50mA \leq I_{OUT} \leq 1.5A$		0.08		%/V
Dropout Voltage (Note 3)	$V_{DO}$	$I_{OUT} = 1.5A, V_{VCC} - V_{OUT (NOM)} \geq 3.25V$		150	270	mV
		$I_{OUT} = 1.5A, V_{IN} = V_{VCC}$		1.5	1.7	V
Current Limit	$I_{CL}$	$V_{OUT} = 80\% \times V_{OUT (NOM)}$	2	3	4	A
Short-Circuit Current	$I_{SHORT}$	$V_{OUT} < 0.2V$	0.6	1.1		A
Bias Pin Current	$I_{VCC}$			1	2	mA
Shutdown Supply Current ( $I_{GND}$ )	$I_{SHDN}$	$V_{EN} \leq 0.4V$		70	100	μA
Feedback Pin Current	$I_{FB}$		-1	0.1	1	μA

■ ELECTRICAL CHARACTERISTICS (Cont.)

PARAMETER	SYMBOL	TEST CONDITIONS	MIN	TYP	MAX	UNIT
Power-Supply Rejection ( $V_{IN} \sim V_{OUT}$ )	PSRR	1KHz, $I_{OUT}=1A$ , $V_{IN}=1.8V$ , $V_{OUT}=1.5V$		60		dB
		300KHz, $I_{OUT}=1A$ , $V_{IN}=1.8V$ , $V_{OUT}=1.5V$		30		dB
Power-Supply Rejection ( $V_{VCC} \sim V_{OUT}$ )		1KHz, $I_{OUT}=1A$ , $V_{IN}=1.8V$ , $V_{OUT}=1.5V$		50		dB
		300KHz, $I_{OUT}=1A$ , $V_{IN}=1.8V$ , $V_{OUT}=1.5V$		30		dB
Startup Time	$T_{ST}$	RLOAD for $I_{OUT}=1.0A$ , $C_{SS} = OPEN$		100		$\mu S$
Soft-Start Charging Current	$I_{SS}$	$V_{SS}=0.4V$		440		nA
Enable Input High Level	$V_{EN, HI}$		1.1		5.5	V
Enable Input Low Level	$V_{EN, LO}$		0		0.4	V
Enable Pin Hysteresis	$V_{EN, HYS}$			50		mV
Enable Pin Current	$I_{EN}$	$V_{EN}=5V$		0.1	1	$\mu A$
PG Trip Threshold	$V_{PG, TH}$	$V_{OUT}$ Decreasing	85	90	94	% $V_{OUT}$
PG Trip Hysteresis	$V_{PG, HYS}$			7		% $V_{OUT}$
PG Output Low Voltage	$V_{PG, LO}$	$I_{PG}=1mA$ (Sinking), $V_{OUT} < V_{PG, TH}$			0.3	V
PG Leakage Current	$I_{PG, LKG}$	$V_{PG}=5.25V$ , $V_{OUT} > V_{PG, TH}$		0.1	1	$\mu A$
Thermal Shutdown Temperature	$T_{SD}$	Shutdown, Temperature Increasing		+150		$^{\circ}C$
		Reset, Temperature Decreasing		+130		$^{\circ}C$

Notes: 1.  $V_{VCC}$  should be higher or equal to  $V_{IN}$  in this chip.

2. Tested at 0.8V; resistor tolerance is not taken into account.

3. Dropout is defined as the voltage from  $V_{IN}$  to  $V_{OUT}$  when  $V_{OUT}$  is 3% below nominal.

■ TYPICAL APPLICATION CIRCUIT

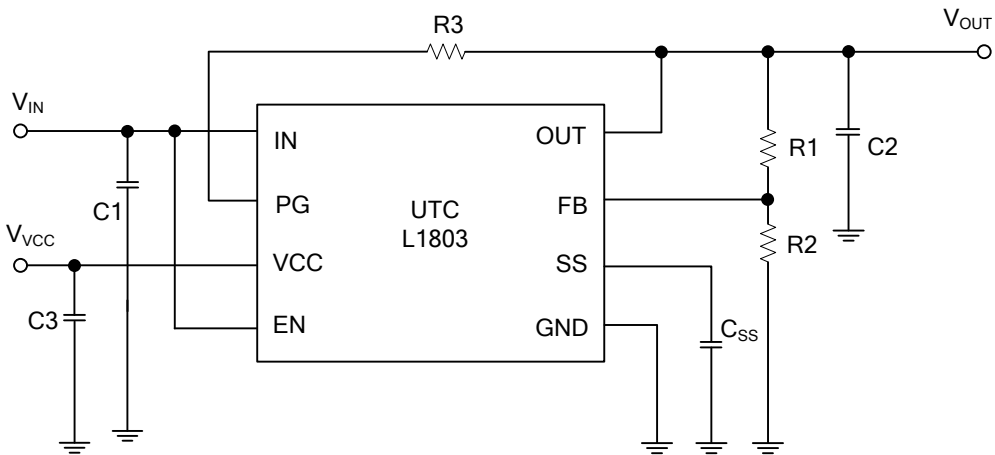


Table 1. Capacitor Values for Programming the Soft-Start Time (Note)

CSS	SOFT-START TIME
Open	0.1ms
270pF	0.5ms
560pF	1ms
2.7nF	5ms
5.6nF	10ms

Note:  $t_{ss} (s) = 0.8 \times C_{ss} (F) / (4.4 \times 10^{-7})$

UTC assumes no responsibility for equipment failures that result from using products at values that exceed, even momentarily, rated values (such as maximum ratings, operating condition ranges, or other parameters) listed in products specifications of any and all UTC products described or contained herein. UTC products are not designed for use in life support appliances, devices or systems where malfunction of these products can be reasonably expected to result in personal injury. Reproduction in whole or in part is prohibited without the prior written consent of the copyright owner. The information presented in this document does not form part of any quotation or contract, is believed to be accurate and reliable and may be changed without notice.