

# PCA8539

100 x 18 Chip-On-Glass automotive LCD dot matrix driver

Rev. 1 — 11 November 2013

Product data sheet

## 1. General description

---

The PCA8539 is a fully featured Liquid Crystal Display (LCD)<sup>1</sup> driver, specifically designed for high-contrast Vertical Alignment (VA) LCD with multiplex rates up to 1:18. It generates the drive signals for multiplexed LCD containing up to 18 backplanes, 100 segments, and up to 1800 elements. The PCA8539 features an internal charge pump with internal capacitors for on-chip generation of the LCD driving voltage. To ensure an optimal and stable contrast over the full temperature range, the PCA8539 offers a programmable temperature compensation of the LCD supply voltage. The PCA8539 can be easily connected to a microcontroller by either the two-line I<sup>2</sup>C-bus or a four-line bidirectional SPI-bus.

For a selection of NXP LCD graphic drivers, see [Table 46 on page 81](#).

## 2. Features and benefits

---

- AEC Q100 grade 2 compliant for automotive applications
- Single-chip LCD controller and driver
- Extended operating temperature range from –40 °C to +105 °C
- 100 segments and 18 backplanes allowing to drive any graphic with up to 1800 elements
- On-chip:
  - ◆ Configurable 4, 3, or 2 times voltage multiplier generating LCD supply voltage, independent of V<sub>DD</sub>, programmable by instruction (external supply also possible)
  - ◆ Integrated temperature sensor with temperature readout
  - ◆ Temperature compensation of on-chip generated VLCDOUT. Selectable linear temperature compensation of V<sub>LCD</sub>
  - ◆ Generation of intermediate LCD bias voltages
  - ◆ Oscillator requires no external components (external clock also possible)
- Readout of RAM and registers possible
- Diagnostic features:
  - ◆ Checksum on I<sup>2</sup>C and SPI bus
- Frame frequency: programmable from 45 Hz to 360 Hz
- 2960-bit RAM for storage (1800 bit for display data)
- Two-line I<sup>2</sup>C-bus interface or four-line SPI bus
- Multiplex drive mode 1:18 and 1:12
- Inversion modes
  - ◆ n-line (n = 1 to 7) inversion

---

1. The definition of the abbreviations and acronyms used in this data sheet can be found in [Section 20](#).



- ◆ Frame inversion
- Large supply voltage range:  $V_{DD1}$ : 2.5 V to 5.5 V (chip can be driven with battery cells)
- Analog supply voltage  $V_{DD2}$ : 2.5 V to 5.5 V
- LCD supply voltage  $V_{LCD}$ : 4 V to 16 V
- Very low current consumption (20  $\mu$ A to 200  $\mu$ A):
  - ◆ Power-down mode: < 2  $\mu$ A

### 3. Applications

---

- Automotive
  - ◆ Instrument clusters
  - ◆ Climate control display
  - ◆ Car entertainment
  - ◆ Car radio
- Industrial
  - ◆ Medical and health care
  - ◆ Measuring equipment
  - ◆ Machine control systems
  - ◆ Information boards
  - ◆ General-purpose display modules
- Consumer
  - ◆ White goods
  - ◆ Home entertainment

## 4. Ordering information

Table 1. Ordering information

| Type number | Package  |             | Version    |
|-------------|----------|-------------|------------|
|             | Name     | Description |            |
| PCA8539DUG  | bare die | 244 bumps   | PCA8539DUG |

### 4.1 Ordering options

Table 2. Ordering options

| Product type number | Sales item (12NC) | Orderable part number | IC revision | Delivery form                 |
|---------------------|-------------------|-----------------------|-------------|-------------------------------|
| PCA8539DUG/DA       | 935301519033      | PCA8539DUG/DAZ        | 1           | chips with gold bumps in tray |

## 5. Marking

Each die has a laser marking on the rear side. The format is LLLLLLLWWXXXXXX having the following meaning:

LLLLLLL - wafer lot number

WW - wafer number

XXXXXX - die identification number

## 6. Block diagram

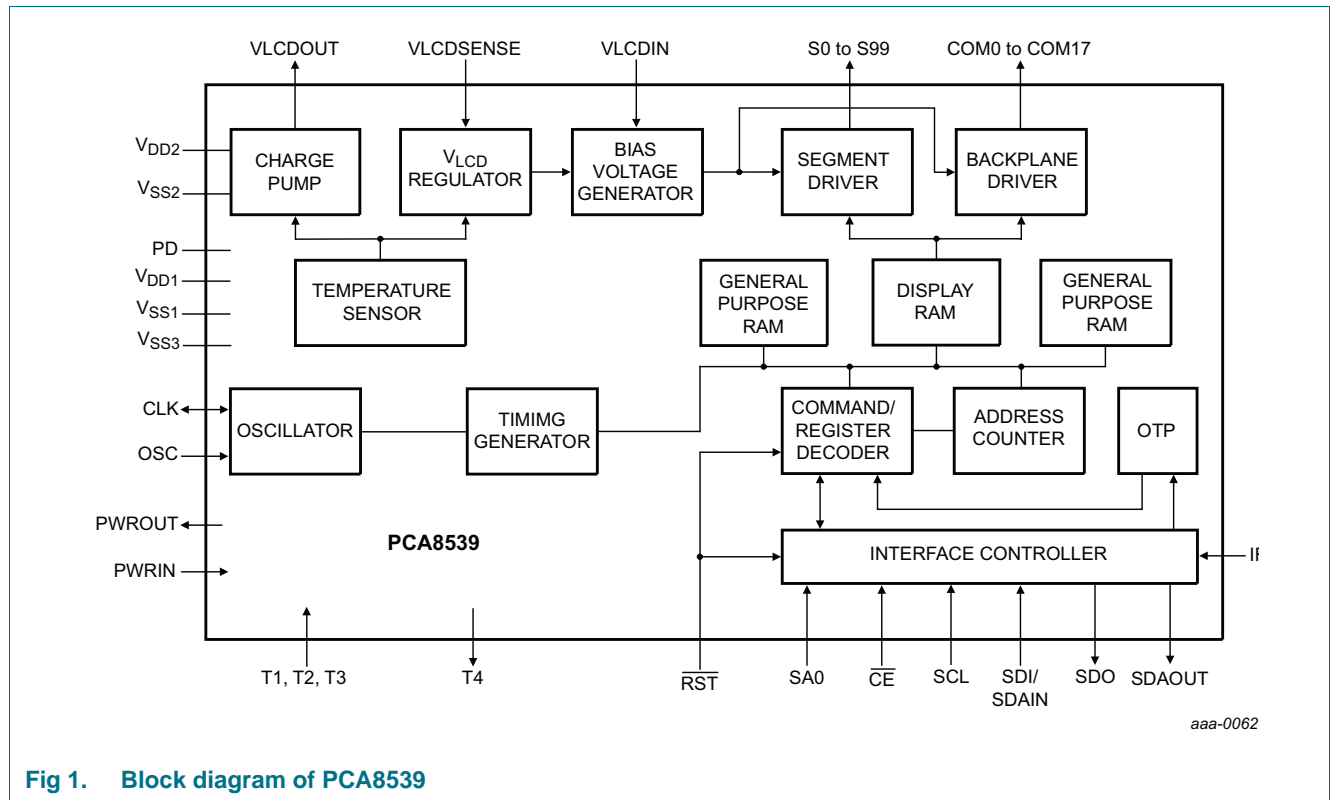


Fig 1. Block diagram of PCA8539

## 7. Pinning information

### 7.1 Pinning

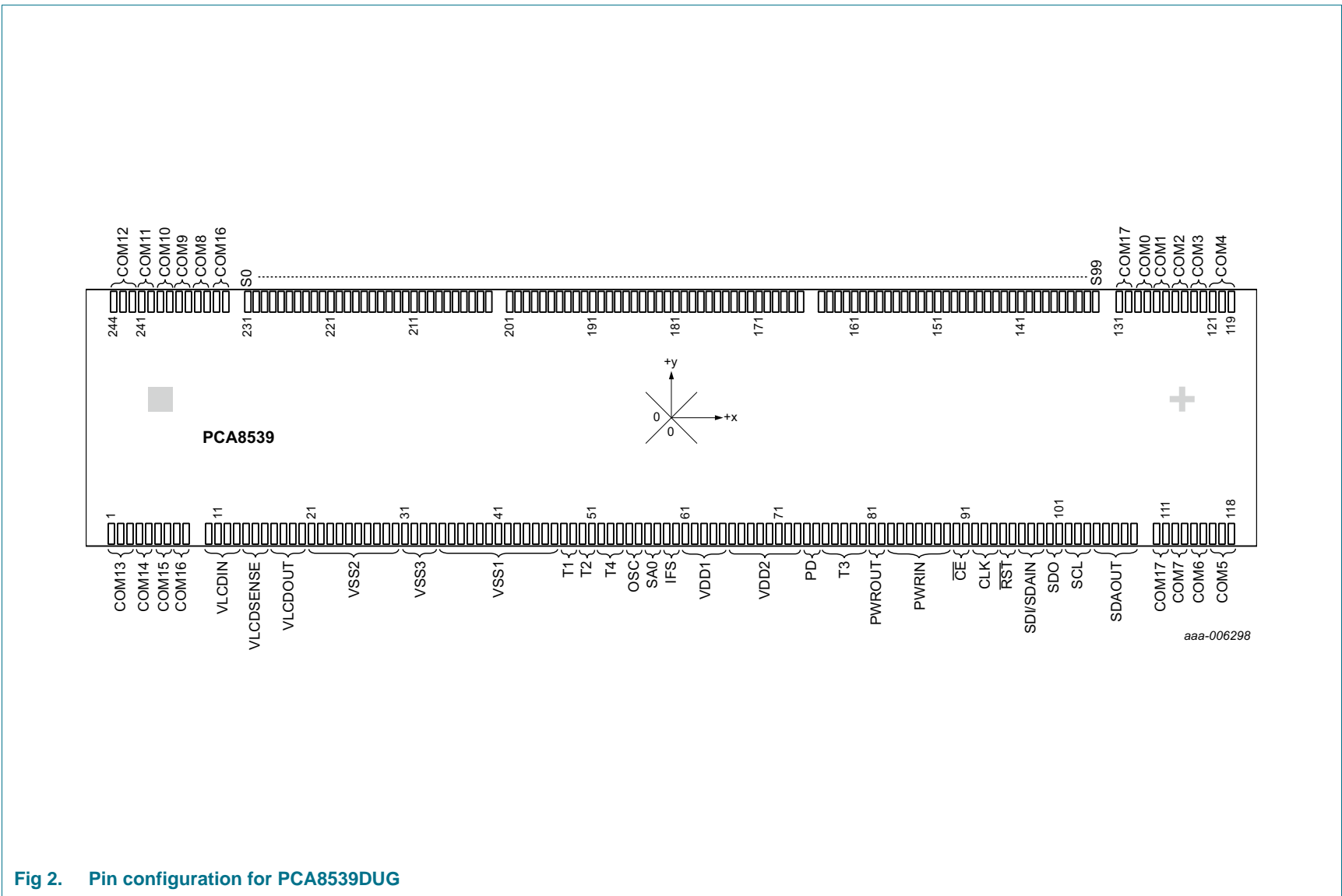


Fig 2. Pin configuration for PCA8539DUG

## 7.2 Pin description

**Table 3. Pin description of PCA8539DUG**

*Input or input/output pins must always be at a defined level ( $V_{SS}$  or  $V_{DD}$ ) unless otherwise specified.*

| Symbol                           | Pin                | Type   | Description  |
|----------------------------------|--------------------|--------|--|
| <b>Backplane output pins</b>     |                    |        |  |
| COM13                            | 1 to 3             | output | LCD backplane  |
| COM14                            | 4, 5               |        |  |
| COM15                            | 6, 7               |        |  |
| COM16                            | 8, 9, 232, 233     |        |  |
| COM17                            | 110, 111, 130, 131 |        |  |
| COM7                             | 112, 113           |        |  |
| COM6                             | 114, 115           |        |  |
| COM5                             | 116 to 118         |        |  |
| COM4                             | 119 to 121         |        |  |
| COM3                             | 122, 123           |        |  |
| COM2                             | 124, 125           |        |  |
| COM1                             | 126, 127           |        |  |
| COM0                             | 128, 129           |        |  |
| COM8                             | 234, 235           |        |  |
| COM9                             | 236, 237           |        |  |
| COM10                            | 238, 239           |        |  |
| COM11                            | 240, 241           |        |  |
| COM12                            | 242 to 244         |        |  |
| <b>Segment output pins</b>       |                    |        |  |
| S99 to S0                        | 132 to 231         | output | LCD segment driver output                            |
| <b><math>V_{LCD}</math> pins</b> |                    |        |  |
| VLCDIN                           | 10 to 13           | supply | $V_{LCD}$ input                                      |
| VLCDSENSE                        | 14 to 16           | input  | $V_{LCD}$ regulation input                           |
| VLCDOUT                          | 17 to 20           | output | $V_{LCD}$ output                                     |
| <b>Supply pins</b>               |                    |        |  |
| VSS2 <sup>[1]</sup>              | 21 to 30           | supply | ground supply  |
| VSS3 <sup>[1]</sup>              | 31 to 34           |        |  |
| VSS1 <sup>[1]</sup>              | 35 to 47           |        |  |
| VDD1                             | 61 to 65           | supply | supply voltage 1                                     |
| VDD2                             | 66 to 73           | supply | supply voltage 2                                     |
| PWROUT                           | 81, 82             | output | regulated voltage output; must be connected to PWRIN |
| PWRIN                            | 83 to 89           | input  | regulated voltage input; must be connected to PWROUT |
| <b>Test pins</b>                 |                    |        |  |
| T1                               | 48, 49             | input  | not accessible; must be connected to $V_{SS1}$       |
| T2                               | 50, 51             |        |  |
| T4                               | 52 to 54           | output | not accessible; must be left open                    |

**Table 3. Pin description of PCA8539DUG ...continued**

Input or input/output pins must always be at a defined level ( $V_{SS}$  or  $V_{DD}$ ) unless otherwise specified.

| Symbol | Pin      | Type  | Description                                 |
|--------|----------|-------|---|
| T3     | 76 to 80 | input | not accessible; must be connected to PWROUT |

#### Oscillator, synchronization, and reset pins

|                         |          |              |   |
|-------------------------|----------|--------------|---|
| OSC <sup>[2]</sup>      | 55, 56   | input        | clock (internal/external) selector  |
| PD                      | 74, 75   | input        | power-down mode select <ul style="list-style-type: none"> <li>for normal operation, pin PD must be LOW</li> <li>for power-down mode, pin PD must be HIGH</li> </ul> |
| CLK                     | 92 to 94 | input/output | internal oscillator output, external oscillator input   |
| $\overline{\text{RST}}$ | 95, 96   | input        | active LOW reset input  |

#### Bus-related pins

|                        |            |        | SPI-bus  | I <sup>2</sup> C-bus   |
|------------------------|------------|--------|--|--|
| SA0                    | 57, 58     | input  | unused; <ul style="list-style-type: none"> <li>connect to <math>V_{SS1}</math></li> </ul>                  | slave address selector; <ul style="list-style-type: none"> <li>connect to <math>V_{SS1}</math> for logic 0</li> <li>connect to <math>V_{DD1}</math> for logic 1</li> </ul> |
| IFS                    | 59, 60     | input  | interface selector input <ul style="list-style-type: none"> <li>connect to <math>V_{SS1}</math></li> </ul> | interface selector input <ul style="list-style-type: none"> <li>connect to <math>V_{DD1}</math></li> </ul>   |
| $\overline{\text{CE}}$ | 90, 91     | input  | chip enable input (active LOW)   | unused <ul style="list-style-type: none"> <li>connect to <math>V_{DD1}</math></li> </ul>   |
| SDI/SDAIN              | 97 to 99   | input  | SPI-bus data input   | I <sup>2</sup> C-bus serial data input   |
| SDO                    | 100, 101   | output | SPI serial data output   | unused <ul style="list-style-type: none"> <li>must be left open</li> </ul>   |
| SCL                    | 102 to 104 | input  | serial clock input   | serial clock input   |
| SDAOUT                 | 105 to 109 | output | unused <ul style="list-style-type: none"> <li>must be connected to <math>V_{SS1}</math></li> </ul>         | serial data output   |

[1] The substrate (rear side of the die) is at  $V_{SS1}$  potential and must not be connected.

[2] If pin OSC is tied to  $V_{SS1}$ , CLK is the output pin of the internal oscillator. If pin OSC is tied to  $V_{DD1}$ , CLK is the input pin for the external oscillator.

## 8. Functional description

### 8.1 Commands of PCA8539

The commands defined in [Table 5](#) control the PCA8539.

The sequence to execute a command is like shown in [Table 4](#):

**Table 4. Command execution sequence**

| Bus              | Byte 1  | Byte 2                      | Byte 3  |
|------------------|---|-----------------------------|---------|
| I <sup>2</sup> C | slave address <sup>[1]</sup> + R/W <sup>[2]</sup> | CO + RS[1:0] <sup>[3]</sup> | command |
| SPI              | R/W <sup>[2]</sup> + subaddress <sup>[4]</sup>    | CO + RS[1:0] <sup>[3]</sup> | command |

[1] More about the slave address, see [Section 9.2.7](#).

[2] See [Section 9.2.7](#) and [Section 9.3.1](#).

[3] See [Section 9.1](#).

[4] More about the subaddress, see [Section 9.3.1](#).

**Remark:** Any other combinations of operation code bits that are not mentioned in this document can lead to undesired operation modes of PCA8539.

**Table 5. Commands of PCA8539**

Bit positions labeled as - are not implemented have to be always written with 0.

| Command name | R/W | Command select<br>RS[1:0] | Bits |   |   |   |   |   |   |   |  |  | Reference |
|--------------|-----|---------------------------|------|---|---|---|---|---|---|---|--|--|-----------|
|              |     |                           | 7    | 6 | 5 | 4 | 3 | 2 | 1 | 0 |  |  |           |

#### General control commands

|                  |   |   |   |  |          |   |         |   |          |    |    |     |                                  |                                 |
|------------------|---|---|---|--|----------|---|---------|---|----------|----|----|-----|----------------------------------|---------------------------------|
| Initialize       | 0 | 0 | 0 | 0                                      | 0        | 0 | 0       | 0 | 0        | 0  | 0  | 1   | <a href="#">Section 8.1.1.1</a>  |                                 |
| Clear_reset_flag | 0 | 0 | 0 | 0                                      | 0        | 0 | 1       | 1 | 1        | 1  | 1  | 1   | <a href="#">Section 8.1.1.2</a>  |                                 |
| OTP_refresh      | 0 | 0 | 0 | 0                                      | 0        | 0 | 0       | 0 | 0        | 0  | 1  | 0   | <a href="#">Section 8.1.1.3</a>  |                                 |
| Clock_out_ctrl   | 0 | 0 | 0 | 0                                      | 0        | 1 | 0       | 0 | 0        | 0  | 0  | COE | <a href="#">Section 8.1.1.4</a>  |                                 |
| Read_reg_select  | 0 | 0 | 0 | 0                                      | 0        | 0 | 0       | 0 | 1        | XC | SO |     | <a href="#">Section 8.1.1.5</a>  |                                 |
| Read_status_reg  | 1 | 0 | 0 | TD[7:0]                                |          |   |         |   |          |    |    |     | <a href="#">Section 8.1.1.6</a>  |                                 |
|                  |   |   |   | CS[7:0]                                |          |   |         |   |          |    |    |     |                                  |                                 |
|                  |   |   |   | Status_Register_1 to Status_Register_9 |          |   |         |   |          |    |    |     |                                  |                                 |
| Graphic_mode_cfg | 0 | 0 | 0 | 0                                      | 1        | 0 | 1       | 0 | GMX      | -  | -  |     | <a href="#">Section 8.1.1.7</a>  |                                 |
| Sel_mem_bank     | 0 | 0 | 0 | 0                                      | 0        | 0 | 1       | 0 | SMB[2:0] |    |    |     | <a href="#">Section 8.1.1.8</a>  |                                 |
| Set_mem_addr     | 0 | 0 | 0 | 1                                      | ADD[6:0] |   |         |   |          |    |    |     |                                  | <a href="#">Section 8.1.1.9</a> |
| Read_data        | 1 | 0 | 1 | RD[7:0]                                |          |   |         |   |          |    |    |     | <a href="#">Section 8.1.1.10</a> |                                 |
|                  |   |   |   | 0                                      | 0        | 0 | RD[4:0] |   |          |    |    |     |                                  |                                 |
| Write_data       | 0 | 0 | 1 | WD[7:0]                                |          |   |         |   |          |    |    |     | <a href="#">Section 8.1.1.11</a> |                                 |
|                  |   |   |   | 0                                      | 0        | 0 | WD[4:0] |   |          |    |    |     |                                  |                                 |

#### Display control commands

|                 |   |   |   |   |   |   |         |   |          |     |   |  |                                 |
|-----------------|---|---|---|---|---|---|---------|---|----------|-----|---|--|---------------------------------|
| Entry_mode_set  | 0 | 1 | 0 | 0 | 0 | 1 | 0       | 1 | 0        | I_D | - |  | <a href="#">Section 8.1.2.1</a> |
| Inversion_mode  | 0 | 1 | 0 | 0 | 1 | 0 | 0       | 0 | INV[2:0] |     |   |  | <a href="#">Section 8.1.2.2</a> |
| Frame_frequency | 0 | 1 | 0 | 1 | 0 | 0 | FF[4:0] |   |          |     |   |  | <a href="#">Section 8.1.2.3</a> |
| Display_control | 0 | 1 | 0 | 0 | 0 | 1 | 0       | 0 | D        | -   | - |  | <a href="#">Section 8.1.2.4</a> |



**Table 5. Commands of PCA8539 ...continued**

Bit positions labeled as - are not implemented have to be always written with 0.

| Command name                                     | R/W | Command select |   | Bits |   |   |           |           |          |          | Reference |   |                                 |
|--|-----|----------------|---|------|---|---|-----------|-----------|----------|----------|-----------|---|---------------------------------|
|  |     | RS[1:0]        |   | 7    | 6 | 5 | 4         | 3         | 2        | 1        |           | 0 |                                 |
| Display_config                                   | 0   | 1              | 0 | 0    | 0 | 0 | 0         | 0         | 0        | 1        | P         | - | <a href="#">Section 8.1.2.5</a> |
| <b>Charge pump and LCD bias control commands</b> |     |                |   |      |   |   |           |           |          |          |           |   |                                 |
| Charge_pump_ctrl                                 | 0   | 1              | 1 | 1    | 0 | 0 | 0         | 0         | CPE      | CPC[1:0] |           |   | <a href="#">Section 8.1.3.1</a> |
| Set_VLCD   | 0   | 1              | 1 | 1    | 0 | 1 | VLCD[8:4] |           |          |          |           |   | <a href="#">Section 8.1.3.2</a> |
|  | 0   | 1              | 1 | 1    | 0 | 0 | 1         | VLCD[3:0] |          |          |           |   |                                 |
| <b>Temperature compensation control commands</b> |     |                |   |      |   |   |           |           |          |          |           |   |                                 |
| Temperature_ctrl                                 | 0   | 1              | 1 | 0    | 0 | 0 | 0         | 0         | TCE      | TMF      | TME       |   | <a href="#">Section 8.1.4.1</a> |
| TC_slope   | 0   | 1              | 1 | 0    | 0 | 0 | 0         | 1         | TSA[2:0] |          |           |   | <a href="#">Section 8.1.4.2</a> |
|  | 0   | 1              | 1 | 0    | 0 | 0 | 1         | 0         | TSB[2:0] |          |           |   |                                 |
|  | 0   | 1              | 1 | 0    | 0 | 0 | 1         | 1         | TSC[2:0] |          |           |   |                                 |
|  | 0   | 1              | 1 | 0    | 0 | 1 | 0         | 0         | TSD[2:0] |          |           |   |                                 |

### 8.1.1 General control commands

#### 8.1.1.1 Command: Initialize

This command generates a chip-wide reset by setting all command registers to their default values. It must be sent to the PCA8539 after power-on. For further information, see [Section 8.2.1 on page 22](#).

**Table 6. Initialize - Initialize command bit description**

| Bit    | Symbol  | Value    | Description       |
|--------|---------|----------|-------------------|
| -      | R/W     | 0        | fixed value       |
| -      | RS[1:0] | 00       | fixed value       |
| 7 to 0 | -       | 00000001 | <b>initialize</b> |

#### 8.1.1.2 Command: Clear\_reset\_flag

The Clear\_reset\_flag command clears the reset flag CRF, see [Table 11 on page 11](#).

**Table 7. Clear\_reset\_flag - Clear\_reset\_flag command bit description**

| Bit    | Symbol  | Value    | Description                    |
|--------|---------|----------|--------------------------------|
| -      | R/W     | 0        | fixed value                    |
| -      | RS[1:0] | 00       | fixed value                    |
| 7 to 0 | -       | 00011111 | <b>clear reset status flag</b> |

#### 8.1.1.3 Command: OTP\_refresh

In order to achieve the specified accuracy of the  $V_{LCD}$ , the frame frequency, and the temperature measurement, each IC is calibrated during production. These calibration values are stored in One Time Programmable (OTP) cells. Their content is loaded into the associated registers every time when the Initialize command or the OTP\_refresh command is sent. This command takes approximately 10 ms to finish.

**Table 8. OTP\_refresh - OTP\_refresh command bit description**

| Bit    | Symbol  | Value    | Description                               |
|--------|---------|----------|---|
| -      | R/W     | 0        | fixed value                               |
| -      | RS[1:0] | 00       | fixed value                               |
| 7 to 0 | -       | 00000010 | <b>refresh register settings from OTP</b> |

**8.1.1.4 Command: Clock\_out\_ctrl**

When pin CLK is configured as an output pin, the Clock\_out\_ctrl command enables or disables the clock output on pin CLK.

**Table 9. Clock\_out\_ctrl - CLK pin input/output switch command bit description**

| Bit    | Symbol  | Value            | Description   |
|--------|---------|------------------|---|
| -      | R/W     | 0                | fixed value   |
| -      | RS[1:0] | 00               | fixed value   |
| 7 to 1 | -       | 0010000          | fixed value   |
| 0      | COE     |                  | <b>CLK pin setting</b>  |
|        |         | 0 <sup>[1]</sup> | clock signal not available on pin CLK;<br>pin CLK is in 3-state |
|        |         | 1                | clock signal available on pin CLK                               |

[1] Default value.

For lower power consumption, the clock is only active when display (see [Table 21](#)), charge pump (see [Table 23](#)), or temperature measurement (see [Table 25](#)) is enabled.

**8.1.1.5 Command: Read\_reg\_select**

The Read\_reg\_select command allows choosing to read out the temperature or the status registers Checksum to Status\_Register\_9 of the device (see [Table 11](#)).

**Table 10. Read\_reg\_select - select registers for readout command bit description**

| Bit    | Symbol  | Value            | Description                  |
|--------|---------|------------------|------------------------------|
| -      | R/W     | 0                | fixed value                  |
| -      | RS[1:0] | 00               | fixed value                  |
| 7 to 2 | -       | 000001           | fixed value                  |
| 1      | XC      |                  | <b>checksum mode setting</b> |
|        |         | 0 <sup>[1]</sup> | XOR checksum                 |
|        |         | 1                | CRC-8 checksum               |
| 0      | SO      |                  | <b>readout select</b>        |
|        |         | 0 <sup>[1]</sup> | temperature                  |
|        |         | 1                | status registers             |

[1] Default value.

**8.1.1.6 Command: Read\_status\_reg**

With the Read\_status\_reg command the temperature, checksum, and the status registers can be read out. The behavior of the Read\_status\_reg command is controlled by the SO bit of the Read\_reg\_select command (see [Table 10](#)).

Table 11. Read\_status\_reg - readout register command bit description

| Bit   | Symbol           | Value                               | Description   |
|---|------------------|-------------------------------------|---|
| -   | R $\overline{W}$ | 1                                   | fixed value   |
| -   | RS[1:0]          | 00                                  | fixed value   |
| <b>Temperature readout if SO = 0 (see Table 10)</b> |                  |                                     |   |
| 7 to 0  | TD[7:0]          | 00000000 to 11111111 <sup>[1]</sup> | <b>temperature readout</b>  |
| <b>Status readout if SO = 1 (see Table 10)</b>      |                  |                                     |   |
| <b>Checksum</b>                                     |                  |                                     |   |
| 7 to 0  | CS[7:0]          | 00000000 <sup>[1]</sup> to 11111111 | <b>checksum result</b> from RAM writing with checksum mode set by bit XC (see Table 10) |
| <b>Status_Register_1</b>                            |                  |                                     |   |
| 7   | -                | 0                                   | fixed value   |
| 6   | GMX              |                                     | <b>multiplex drive mode setting status</b>  |
| 5, 4  | -                | 00                                  | fixed value   |
| 3   | I_D              | see Table 17                        | <b>address stepping select status</b>   |
| 2 to 0  | -                | 000                                 | fixed value   |
| <b>Status_Register_2</b>                            |                  |                                     |   |
| 7 to 5  | INV[2:0]         | see Table 18                        | <b>inversion mode setting status</b>  |
| 4 to 0  | FF[4:0]          | see Table 20                        | <b>frame frequency setting status</b>   |
| <b>Status_Register_3</b>                            |                  |                                     |   |
| 7   | D                | see Table 21                        | <b>display setting status</b>   |
| 6 to 2  | -                | 00000                               | fixed value   |
| 1   | P                | see Table 22                        | <b>display segment setting status</b>   |
| 0   | -                | 0                                   | fixed value   |
| <b>Status_Register_4</b>                            |                  |                                     |   |
| 7 to 5  | -                | 000                                 | fixed value   |
| 4   | CPE              | see Table 23                        | <b>charge pump setting status</b>   |
| 3   | -                | 0                                   | fixed value   |
| 2, 1  | CPC[1:0]         | see Table 23                        | <b>charge pump voltage multiplier setting status</b>                                    |
| 0   | VLCD8            | see Table 24                        | <b>V<sub>LCD</sub> values setting</b>   |
| <b>Status_Register_5</b>                            |                  |                                     |   |
| 7 to 0  | VLCD[7:0]        | see Table 24                        | <b>V<sub>LCD</sub> values setting</b>   |
| <b>Status_Register_6</b>                            |                  |                                     |   |
| 7   | TCE              | see Table 25                        | <b>temperature compensation setting status</b>  |
| 6   | TMF              |                                     | <b>temperature measurement filter setting status</b>                                    |
| 5 to 3  | TSA[2:0]         | see Table 26                        | <b>temperature compensation slope A setting status</b>                                  |
| 2 to 0  | TSB[2:0]         |                                     | <b>temperature compensation slope B setting status</b>                                  |
| <b>Status_Register_7</b>                            |                  |                                     |   |
| 7   | TME              | see Table 25                        | <b>temperature measurement setting status</b>   |

**Table 11. Read\_status\_reg - readout register command bit description ...continued**

| Bit                      | Symbol   | Value                        | Description   |
|--------------------------|----------|------------------------------|---|
| 6 to 4                   | TSC[2:0] | see <a href="#">Table 26</a> | <b>temperature compensation slope C setting status</b>  |
| 3 to 1                   | TSD[2:0] |                              | <b>temperature compensation slope D setting status</b>  |
| 0                        | -        | 0                            | fixed value   |
| <b>Status_Register_8</b> |          |                              |   |
| 7 to 0                   | -        | 00000000                     | fixed value   |
| <b>Status_Register_9</b> |          |                              |   |
| 7 to 3                   | -        | 00000                        | fixed value   |
| 2                        | QPR      |                              | <b>charge pump charge status</b>  |
|                          |          | 0                            | charge pump has not reached programmed value  |
|                          |          | 1                            | charge pump has reached programmed value  |
| 1                        | CRF      |                              | <b>reset flag status</b><br>the reset flag is set whenever a reset occurs; it should be cleared for reset monitoring (see <a href="#">Table 7</a> ) |
|                          |          | 0                            | no reset has occurred since the reset flag register was cleared last time   |
|                          |          | 1 <sup>[1]</sup>             | reset has occurred since the reset flag register was cleared last time  |
| 0                        | COE      | see <a href="#">Table 9</a>  | <b>CLK pin setting status</b>   |

[1] Start-up value.

### 8.1.1.7 Command: Graphic\_mode\_cfg

The Graphic\_mode\_cfg command allows setting the multiplex drive mode.

**Table 12. Graphic\_mode\_cfg - graphic mode command bit description**

| Bit    | Symbol  | Value             | Description                         |
|--------|---------|-------------------|-------------------------------------|
| -      | R/W     | 0                 | fixed value                         |
| -      | RS[1:0] | 00                | fixed value                         |
| 7 to 3 | -       | 01010             | fixed value                         |
| 2      | GMX     |                   | <b>multiplex drive mode setting</b> |
|        |         | 0                 | 1:18 multiplex drive mode           |
|        |         | 1 <sup>[1]</sup>  | 1:12 multiplex drive mode           |
| 1, 0   | -       | -- <sup>[2]</sup> | not implemented                     |

[1] Default value.

[2] Not implemented, have to be always written with 0.

### 8.1.1.8 Command: Sel\_mem\_bank

The Sel\_mem\_bank command determines which RAM to access.

**Table 13. Sel\_mem\_bank - RAM access configuration command**

| Bit    | Symbol           | Value              | Description                         |
|--------|------------------|--------------------|-------------------------------------|
| -      | R $\overline{W}$ | 0                  | fixed value                         |
| -      | RS[1:0]          | 00                 | fixed value                         |
| 7 to 3 | -                | 00010              | fixed value                         |
| 2 to 0 | SMB[2:0]         |                    | <b>RAM access select</b>            |
|        |                  | 000 <sup>[1]</sup> | general-purpose RAM 1 is selected   |
|        |                  | 001                | display data RAM bank 1 is selected |
|        |                  | 010                | display data RAM bank 2 is selected |
|        |                  | 011                | display data RAM bank 3 is selected |
|        |                  | 100                | general-purpose RAM 2 is selected   |
|        |                  | 101 to 111         | not implemented                     |

[1] Default value.

### 8.1.1.9 Command: Set\_mem\_addr

The Set\_mem\_addr command allows setting the RAM address in the address counter to access. The Sel\_mem\_bank command (see [Section 8.1.1.8](#)) determines whether to access the display RAM or the general-purpose RAM.

**Table 14. Set\_mem\_addr - memory address command bit description**

| Bit    | Symbol           | Value                             | Description        |
|--------|------------------|-----------------------------------|--------------------|
| -      | R $\overline{W}$ | 0                                 | fixed value        |
| -      | RS[1:0]          | 00                                | fixed value        |
| 7      | -                | 1                                 | fixed value        |
| 6 to 0 | ADD[6:0]         | 0000000 <sup>[1]</sup> to 1111111 | <b>RAM address</b> |

[1] Default value.

### 8.1.1.10 Command: Read\_data

The Read\_data command reads binary 8-bit data from the display RAM or general-purpose RAM.

**Table 15. Read\_data - data read bit description**

| Bit   | Symbol           | Value                | Description   |
|---|------------------|----------------------|---|
| -   | R $\overline{W}$ | 1                    | fixed value   |
| -   | RS[1:0]          | 01                   | fixed value   |
| <b>General-purpose RAM 1</b>                          |                  |                      |   |
| 7 to 0  | RD[7:0]          | 00000000 to 11111111 | <b>read data from general-purpose RAM 1</b>                             |
| <b>Display RAM bank 1 to 3, general-purpose RAM 2</b> |                  |                      |   |
| 7 to 5  | -                | 000                  | fixed value   |
| 4 to 0  | RD[4:0]          | 00000 to 11111       | <b>read data from display RAM bank 1 to 3 and general-purpose RAM 2</b> |

The Sel\_mem\_bank command (see [Section 8.1.1.8](#)) determines whether to read from the display RAM or general-purpose RAM. After reading, the address counter automatically increments or decrements by 1 in accordance with the setting of bit I\_D of the Entry\_mode\_set command (see [Section 8.1.2.1](#)).

Only bit 4 to bit 0 of the display RAM or the general-purpose RAM 2 data are valid. Bit 7 to bit 5 are set logic 0.

#### 8.1.1.11 Command: Write\_data

The Write\_data command writes binary 8-bit data to the display RAM or general-purpose RAM.

**Table 16. Write\_data - data write bit description**

| Bit   | Symbol  | Value                | Description  |
|---|---------|----------------------|--|
| -   | R/W     | 0                    | fixed value  |
| -   | RS[1:0] | 01                   | fixed value  |
| <b>General-purpose RAM 1</b>                          |         |                      |  |
| 7 to 0  | WD[7:0] | 00000000 to 11111111 | <b>write data to general-purpose RAM 1</b>                                 |
| <b>display RAM bank 1 to 3, general-purpose RAM 2</b> |         |                      |  |
| 7 to 5  | -       | 000                  | not implemented  |
| 4 to 0  | WD[4:0] | 00000 to 11111       | <b>write data to the display RAM bank 1 to 3 and general-purpose RAM 2</b> |

The Sel\_mem\_bank command (see [Section 8.1.1.8](#)) determines whether to write data into the display RAM or general-purpose RAM. After writing, the address counter automatically increments or decrements by 1 in accordance with the setting of bit I\_D of the Entry\_mode\_set command (see [Section 8.1.2.1](#)).

Only bit 4 to bit 0 of the display RAM or the general-purpose RAM 2 data are valid. Bit 7 to bit 5 are not implemented and should always be logic 0.

## 8.1.2 Display control commands

### 8.1.2.1 Command: Entry\_mode\_set

The Entry\_mode\_set command sets the address stepping.

**Table 17. Entry\_mode\_set - entry mode bit description**

| Bit    | Symbol  | Value            | Description  |
|--------|---------|------------------|--|
| -      | R/W     | 0                | fixed value  |
| -      | RS[1:0] | 10               | fixed value  |
| 7 to 2 | -       | 001010           | fixed value  |
| 1      | I_D     |                  | <b>address stepping select</b>                             |
|        |         | 0                | display RAM or general-purpose RAM address decrements by 1 |
|        |         | 1 <sup>[1]</sup> | display RAM or general-purpose RAM address increments by 1 |
| 0      | -       | - <sup>[2]</sup> | not implemented  |

[1] Default value.

[2] Not implemented, have to be always written with 0.

**Bit I\_D:** When bit I\_D = 1, the display RAM or general-purpose RAM address increments by 1 when data is written into or read from the display RAM or general-purpose RAM.

When bit I\_D = 0 the display RAM or general-purpose RAM address decrements by 1 when data is written into or read from the display RAM or general-purpose RAM.

### 8.1.2.2 Command: Inversion\_mode

The Inversion\_mode command allows changing the drive scheme inversion mode.

The waveforms used to drive an LCD (see [Figure 24](#) and [Figure 25](#)) inherently produce a DC voltage across the display cell. The PCA8539 compensates for the DC voltage by inverting the waveforms on alternate frames or alternate lines. The choice of the compensation method is determined with INV[2:0] in [Table 18](#).

**Table 18. Inversion\_mode - inversion mode command bit description**

| Bit    | Symbol   | Value              | Description                   |
|--------|----------|--------------------|-------------------------------|
| -      | R/W      | 0                  | fixed value                   |
| -      | RS[1:0]  | 10                 | fixed value                   |
| 7 to 3 | -        | 01000              | fixed value                   |
| 2 to 0 | INV[2:0] |                    | <b>inversion mode setting</b> |
|        |          | 000 <sup>[1]</sup> | frame inversion mode          |
|        |          | 001                | 1-line inversion mode         |
|        |          | 010                | 2-line inversion mode         |
|        |          | 011                | 3-line inversion mode         |
|        |          | 100                | 4-line inversion mode         |
|        |          | 101                | 5-line inversion mode         |
|        |          | 110                | 6-line inversion mode         |
|        |          | 111                | 7-line inversion mode         |

[1] Default value.

**Line inversion mode (driving scheme A):** In line inversion mode, the DC value is compensated every  $n^{\text{th}}$  line. Changing the inversion mode to line inversion mode reduces the possibility for flickering but increases the power consumption.

**Frame inversion mode (driving scheme B):** In frame inversion mode, the DC value is compensated across two frames and not within one frame. Changing the inversion mode to frame inversion reduces the power consumption, therefore it is useful when power consumption is a key point in the application.

Frame inversion may not be suitable for all applications. The RMS voltage across a segment is better defined, however since the switching frequency is reduced there is the possibility for flicker to occur.

### 8.1.2.3 Command: Frame\_frequency

With this command, the clock and frame frequency can be programmed when using the internal clock.

**Table 19. Frame-frequency - frame frequency select command bit description**

| Bit    | Symbol            | Value                        | Description                    |
|--------|-------------------|------------------------------|--------------------------------|
| -      | R/ $\overline{W}$ | 0                            | fixed value                    |
| -      | RS[1:0]           | 10                           | fixed value                    |
| 7 to 5 | -                 | 100                          | fixed value                    |
| 4 to 0 | FF[4:0]           | see <a href="#">Table 20</a> | <b>frame frequency setting</b> |

The duty cycle depends on the frequency chosen (see [Table 20](#)).

The Frame\_frequency command allows configuring the frame frequency and the clock frequency. The default frame frequency of 80 Hz is factory calibrated.



**Table 20. Clock and frame frequency values**

Duty cycle definition: % HIGH-level time : % LOW-level time.

| FF[4:0]              | Frame frequency (Hz) | Clock frequency (Hz) | Typical duty cycle (%) |
|----------------------|----------------------|----------------------|------------------------|
| 00000                | 45                   | 36000                | 50 : 50                |
| 00001                | 50                   | 39724                | 44 : 56                |
| 00010                | 55                   | 44308                | 38 : 62                |
| 00011                | 60                   | 48000                | 33 : 67                |
| 00100                | 65                   | 52364                | 27 : 73                |
| 00101                | 70                   | 54857                | 23 : 77                |
| 00110                | 75                   | 60632                | 15 : 85                |
| 00111 <sup>[1]</sup> | 80                   | 64000                | 11 : 89                |
| 01000                | 85                   | 67765                | 5 : 95                 |
| 01001                | 90                   | 72000                | 50 : 50                |
| 01010                | 95                   | 76800                | 46 : 54                |
| 01011                | 100                  | 82286                | 42 : 58                |
| 01100                | 110                  | 88615                | 38 : 62                |
| 01101                | 120                  | 96000                | 33 : 67                |
| 01110                | 130                  | 104727               | 27 : 73                |
| 01111                | 145                  | 115200               | 20 : 80                |
| 10000                | 160                  | 128000               | 11 : 89                |
| 10001                | 180                  | 144000               | 50 : 50                |
| 10010                | 210                  | 164571               | 42 : 58                |
| 10011                | 240                  | 192000               | 33 : 67                |
| 10100                | 290                  | 230400               | 20 : 80                |
| 10101 to 11111       | 360                  | 288000               | 50 : 50                |

[1] Default value.

#### 8.1.2.4 Command: Display\_control

With the Display\_control command, the display can be switched on or off.

**Table 21. Display\_control - Display control bit description**

| Bit    | Symbol  | Value             | Description            |
|--------|---------|-------------------|------------------------|
| -      | R/W     | 0                 | fixed value            |
| -      | RS[1:0] | 10                | fixed value            |
| 7 to 3 | -       | 00100             | fixed value            |
| 2      | D       |                   | <b>display setting</b> |
|        |         | 0 <sup>[1]</sup>  | display is off         |
|        |         | 1                 | display is on          |
| 1, 0   | -       | -- <sup>[2]</sup> | not implemented        |

[1] Default value.

[2] Not implemented, have to be always written with 0.

8.1.2.5 Command: Display\_config

The Display\_config command allows setting how the data is displayed.

Table 22. Display\_config - display configuration bit description

| Bit    | Symbol  | Value            | Description  |
|--------|---------|------------------|--|
| -      | R/W     | 0                | fixed value  |
| -      | RS[1:0] | 10               | fixed value  |
| 7 to 2 | -       | 000001           | fixed value  |
| 1      | P       |                  | <b>display segment setting</b>   |
|        |         | 0 <sup>[1]</sup> | segment data: left to right;<br>segment data is displayed from segment 0 to segment 99 |
|        |         | 1                | segment data: right to left;<br>segment data is displayed from segment 99 to segment 0 |
| 0      | -       | - <sup>[2]</sup> | fixed value  |

[1] Default value.

[2] Not implemented, have to be always written with 0.

**Bit P:** The P bit is used to flip the display left to right by mirroring the segment data.



Fig 3. Illustration of the display configuration bit P

### 8.1.3 Charge pump and LCD bias control commands

#### 8.1.3.1 Command: Charge\_pump\_ctrl

The Charge\_pump\_ctrl command enables or disables the internal  $V_{LCD}$  generation and controls the charge pump voltage multiplier setting.

**Table 23. Charge\_pump\_ctrl - charge pump control command bit description**

| Bit    | Symbol           | Binary value      | Description  |
|--------|------------------|-------------------|--|
| -      | $R/\overline{W}$ | 0                 | fixed value  |
| -      | RS[1:0]          | 11                | fixed value  |
| 7 to 3 | -                | 10000             | fixed value  |
| 2      | CPE              |                   | <b>charge pump setting</b>   |
|        |                  | 0 <sup>[1]</sup>  | charge pump disabled;<br>no internal $V_{LCD}$ generation;<br>external supply of $V_{LCD}$ |
|        |                  | 1                 | charge pump enabled  |
| 1 to 0 | CPC[2:0]         |                   | <b>charge pump voltage multiplier setting</b>  |
|        |                  | 00 <sup>[1]</sup> | $V_{LCD} = 2 \times V_{DD2}$   |
|        |                  | 01                | $V_{LCD} = 3 \times V_{DD2}$   |
|        |                  | 10                | $V_{LCD} = 4 \times V_{DD2}$   |
|        |                  | 11                | $V_{LCD} = V_{DD2}$ (direct mode)  |

[1] Default value.

#### 8.1.3.2 Command: Set\_VLCD

The Set\_VLCD command allows programming the  $V_{LCD}$  value. The generated  $V_{LCD}$  is independent of the power supply, allowing battery operation of the PCA8539.

**Table 24. Set\_VLCD - Set- $V_{LCD}$  command bit description**

| Bit                      | Symbol           | Value                         | Description                       |
|--------------------------|------------------|-------------------------------|-----------------------------------|
| <b>The 5 MSB of VLCD</b> |                  |                               |                                   |
| -                        | $R/\overline{W}$ | 0                             | fixed value                       |
| -                        | RS[1:0]          | 11                            | fixed value                       |
| 7 to 5                   | -                | 101                           | fixed value                       |
| 4 to 0                   | VLCD[8:4]        | 00000 <sup>[1]</sup> to 11111 | <b><math>V_{LCD}</math> value</b> |
| <b>The 4 LSB of VLCD</b> |                  |                               |                                   |
| -                        | $R/\overline{W}$ | 0                             | fixed value                       |
| -                        | RS[1:0]          | 11                            | fixed value                       |
| 7 to 4                   | -                | 1001                          | fixed value                       |
| 3 to 0                   | VLCD[3:0]        | 0000 <sup>[1]</sup> to 1111   | <b><math>V_{LCD}</math> value</b> |

[1] Default value.

## 8.1.4 Temperature compensation control commands

### 8.1.4.1 Command: Temperature\_ctrl

The Temperature\_ctrl command enables or disables the temperature measurement block and the temperature compensation of  $V_{LCD}$  (see [Section 8.4.5](#)).

**Table 25. Temperature\_ctrl - temperature measurement control command bit description**

| Bit    | Symbol  | Value            | Description  |
|--------|---------|------------------|--|
| -      | R/W     | 0                | fixed value  |
| -      | RS[1:0] | 11               | fixed value  |
| 7 to 3 | -       | 00000            | fixed value  |
| 2      | TCE     |                  | <b>temperature compensation setting</b>                              |
|        |         | 0 <sup>[1]</sup> | temperature compensation of $V_{LCD}$ disabled                       |
|        |         | 1                | temperature compensation of $V_{LCD}$ enabled                        |
| 1      | TMF     |                  | <b>temperature measurement filter setting</b>                        |
|        |         | 0 <sup>[1]</sup> | digital temperature filter disabled <sup>[2]</sup>                   |
|        |         | 1                | digital temperature filter enabled                                   |
| 0      | TME     |                  | <b>temperature measurement setting</b>                               |
|        |         | 0 <sup>[1]</sup> | temperature measurement disabled;<br>no temperature readout possible |
|        |         | 1                | temperature measurement enabled;<br>temperature readout possible     |

[1] Default value.

[2] The unfiltered digital value of TD[7:0] is immediately available for the readout and  $V_{LCD}$  compensation.

### 8.1.4.2 Command: TC\_slope

The TC\_slope command allows setting the temperature coefficients of  $V_{LCD}$  corresponding to 4 temperature intervals.

**Table 26. TC\_slope -  $V_{LCD}$  temperature compensation slope command bit description**

| Bit               | Symbol           | Value                     | Description  |
|-------------------|------------------|---------------------------|--|
| -                 | $R/\overline{W}$ | 0                         | fixed value  |
| -                 | RS[1:0]          | 11                        | fixed value  |
| <b>TC-slope-A</b> |                  |                           |  |
| 7 to 3            | -                | 00001                     | fixed value  |
| 2 to 0            | TSA[2:0]         | 000 <sup>[1]</sup> to 111 | <b>temperature factor A setting</b> <sup>[2]</sup> |
| <b>TC-slope-B</b> |                  |                           |  |
| 7 to 3            | -                | 00010                     | fixed value  |
| 2 to 0            | TSB[2:0]         | 000 <sup>[1]</sup> to 111 | <b>temperature factor B setting</b> <sup>[2]</sup> |
| <b>TC-slope-C</b> |                  |                           |  |
| 7 to 3            | -                | 00011                     | fixed value  |
| 2 to 0            | TSC[2:0]         | 000 <sup>[1]</sup> to 111 | <b>temperature factor C setting</b> <sup>[2]</sup> |
| <b>TC-slope-D</b> |                  |                           |  |
| 7 to 3            | -                | 00100                     | fixed value  |
| 2 to 0            | TSD[2:0]         | 000 <sup>[1]</sup> to 111 | <b>temperature factor D setting</b> <sup>[2]</sup> |

[1] Default value.

[2] See [Table 28 on page 37](#).

## 8.2 Start-up and shut-down

### 8.2.1 Initialization

The first command sent to the device after power-on or a reset by using the  $\overline{\text{RST}}$  pin must be the Initialize command (see [Section 8.1.1.1 on page 9](#)).

The Initialize command resets the PCA8539 to the following starting conditions:

1. All backplane and segment driver outputs are set to  $V_{SS1}$ .
2. Selected drive mode is 1:18 multiplex driving mode.
3. The address counter is cleared (set logic 0).
4. Temperature measurement is disabled.
5. Temperature filter is disabled.
6. The internal  $V_{LCD}$  voltage generation is disabled. The charge pump is switched off.
7. The  $V_{LCD}$  temperature compensation is disabled.
8. The display is disabled.

The reset state is as shown in [Table 27](#). A code example of the initialization is given in [Section 19.1](#).

**Table 27. Reset state of PCA8539**

| Command name                                     | Bits |   |   |   |   |   |   |   |
|--|------|---|---|---|---|---|---|---|
|  | 7    | 6 | 5 | 4 | 3 | 2 | 1 | 0 |
| <b>General control commands</b>                  |      |   |   |   |   |   |   |   |
| Clock_out_ctrl                                   | 0    | 0 | 1 | 0 | 0 | 0 | 0 | 0 |
| Read_reg_select                                  | 0    | 0 | 0 | 0 | 0 | 1 | 0 | 0 |
| Graphic_mode_cfg                                 | 0    | 0 | 0 | 0 | 1 | 0 | 0 | 0 |
| Sel_mem_bank                                     | 0    | 0 | 0 | 1 | 0 | 0 | 0 | 0 |
| Set_mem_addr                                     | 1    | 0 | 0 | 0 | 0 | 0 | 0 | 0 |
| <b>Display control commands</b>                  |      |   |   |   |   |   |   |   |
| Entry_mode_set                                   | 0    | 0 | 1 | 0 | 1 | 0 | 1 | 0 |
| Inversion_mode                                   | 0    | 1 | 0 | 0 | 0 | 0 | 0 | 0 |
| Frame_frequency                                  | 1    | 0 | 0 | 0 | 0 | 1 | 1 | 1 |
| Display_control                                  | 0    | 0 | 1 | 0 | 0 | 0 | 0 | 0 |
| Display_config                                   | 0    | 0 | 0 | 0 | 0 | 1 | 0 | 0 |
| <b>Charge pump and LCD bias control commands</b> |      |   |   |   |   |   |   |   |
| Charge_pump_ctrl                                 | 1    | 0 | 0 | 0 | 0 | 0 | 0 | 0 |
| Set_VLCD   | 1    | 0 | 1 | 0 | 0 | 0 | 0 | 0 |
|  | 1    | 0 | 0 | 1 | 0 | 0 | 0 | 0 |
| <b>Temperature compensation control commands</b> |      |   |   |   |   |   |   |   |
| Temperature_ctrl                                 | 0    | 0 | 0 | 0 | 0 | 0 | 0 | 0 |
| TC_slope   | 0    | 0 | 0 | 0 | 1 | 0 | 0 | 0 |
|  | 0    | 0 | 0 | 1 | 0 | 0 | 0 | 0 |
|  | 0    | 0 | 0 | 1 | 1 | 0 | 0 | 0 |
|  | 0    | 0 | 1 | 0 | 0 | 0 | 0 | 0 |

**Remarks:**

1. Do not transfer data for at least 1 ms after a power-on.
2. After power-on and before enabling the display, the display RAM content must be brought to a defined status by writing meaningful display content (for example, a graphic) otherwise unwanted display artifacts may appear on the display.

**8.2.2 Reset pin function**

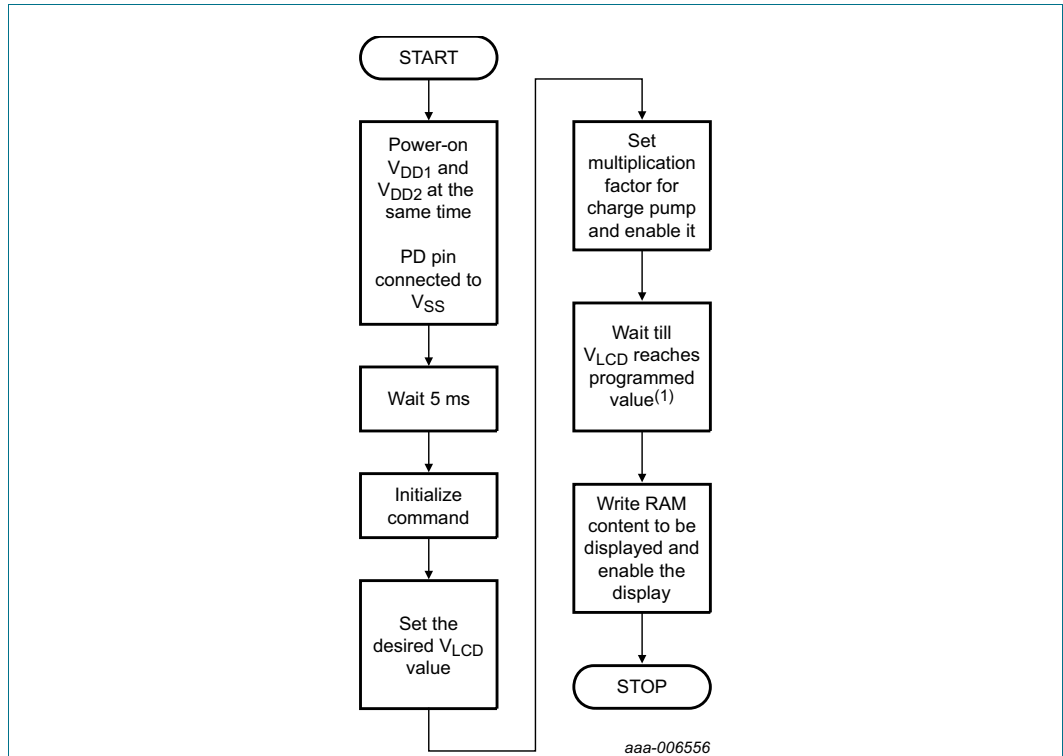
The reset pin ( $\overline{\text{RST}}$ ) of the PCA8539 resets all the registers to their default state. The reset state is given in [Table 27](#). The RAM contents remain unchanged. After the reset signal is released, the Initialize command must be sent to complete the initialization of the chip.

**8.2.3 Power-down pin function**

When connected to  $V_{\text{DD}1}$ , the internal circuits are switched off, leaving only 2  $\mu\text{A}$  (typical) as an overall current consumption. When connected to  $V_{\text{SS}1}$ , the PCA8539 runs or starts up to normal mode again. For the start-up and power-down sequences, see [Section 8.2.4](#) and [Section 8.2.5](#).

**8.2.4 Recommended start-up sequences**

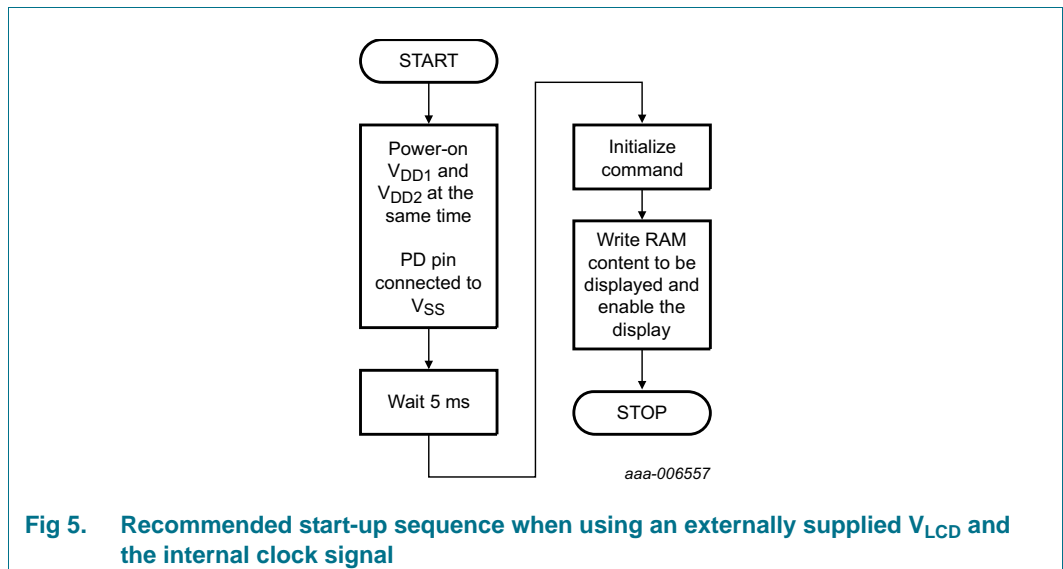
This section describes how to proceed with the initialization of the chip in different application modes.



(1) The QPR flag (see [Table 11](#)) indicates if the programmed LCD voltage value was reached. The latency time depends on the external capacitor on the V<sub>LCD</sub> pins. For a capacitor of 100 nF a delay of 50 ms to 60 ms is expected.

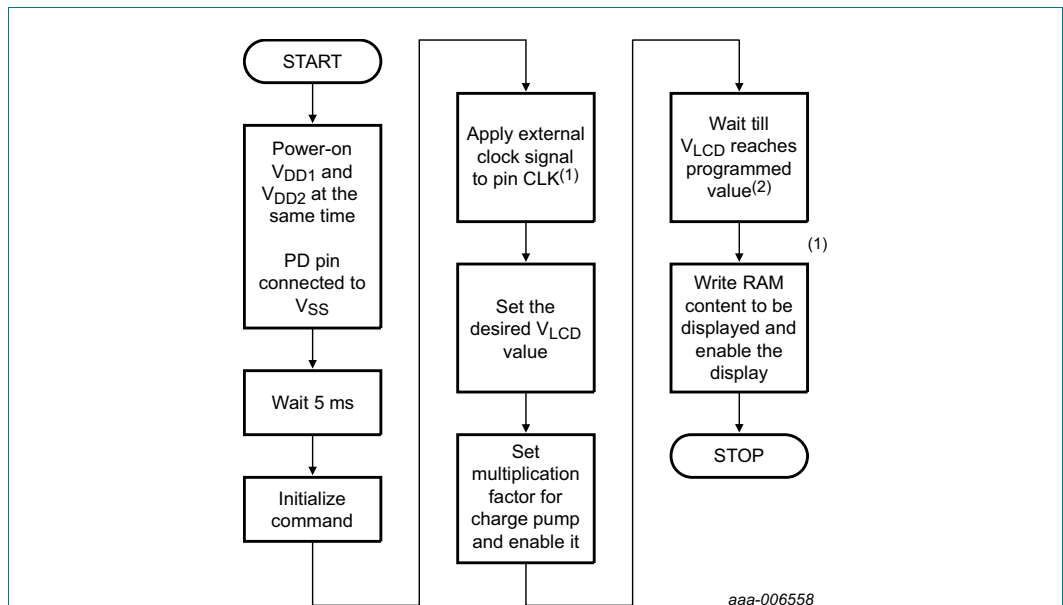
**Fig 4. Recommended start-up sequence when using the internal charge pump and the internal clock signal**

When using the internal V<sub>LCD</sub> generation, the display must not be enabled before the generation of V<sub>LCD</sub> with the internal charge pump is completed. Otherwise unwanted display artifacts may appear on the display.



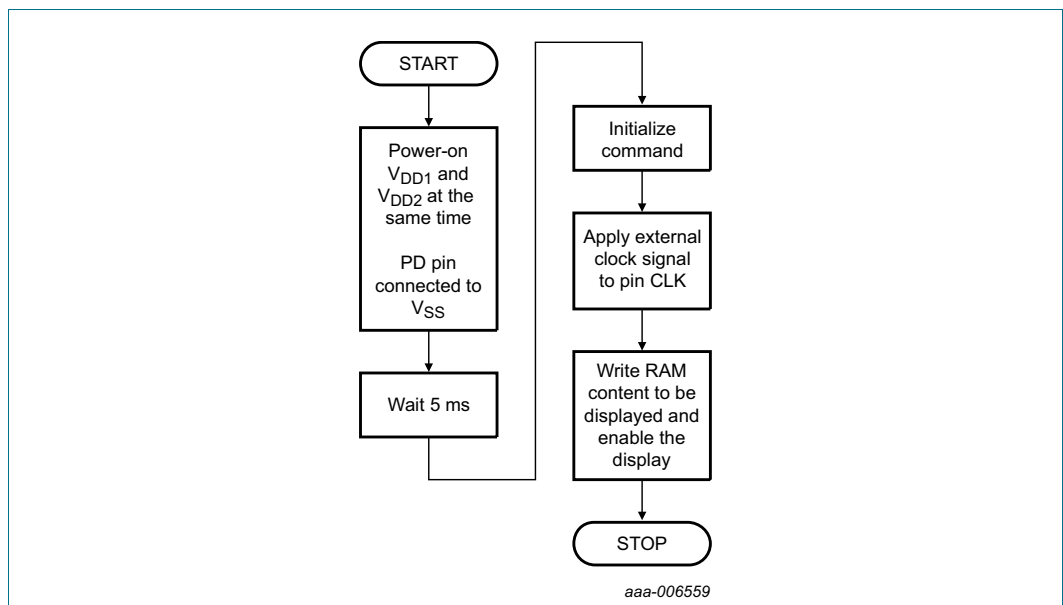
**Fig 5. Recommended start-up sequence when using an externally supplied V<sub>LCD</sub> and the internal clock signal**





- (1) Alternatively, the external clock signal can be applied after the generation of the  $V_{LCD}$  voltage.
- (2) The QPR flag (see [Table 11](#)) indicates if the programmed LCD voltage value was reached. The latency time depends on the external capacitor on the  $V_{LCD}$  pins. For a capacitor of 100 nF a delay of 50 ms to 60 ms is expected.

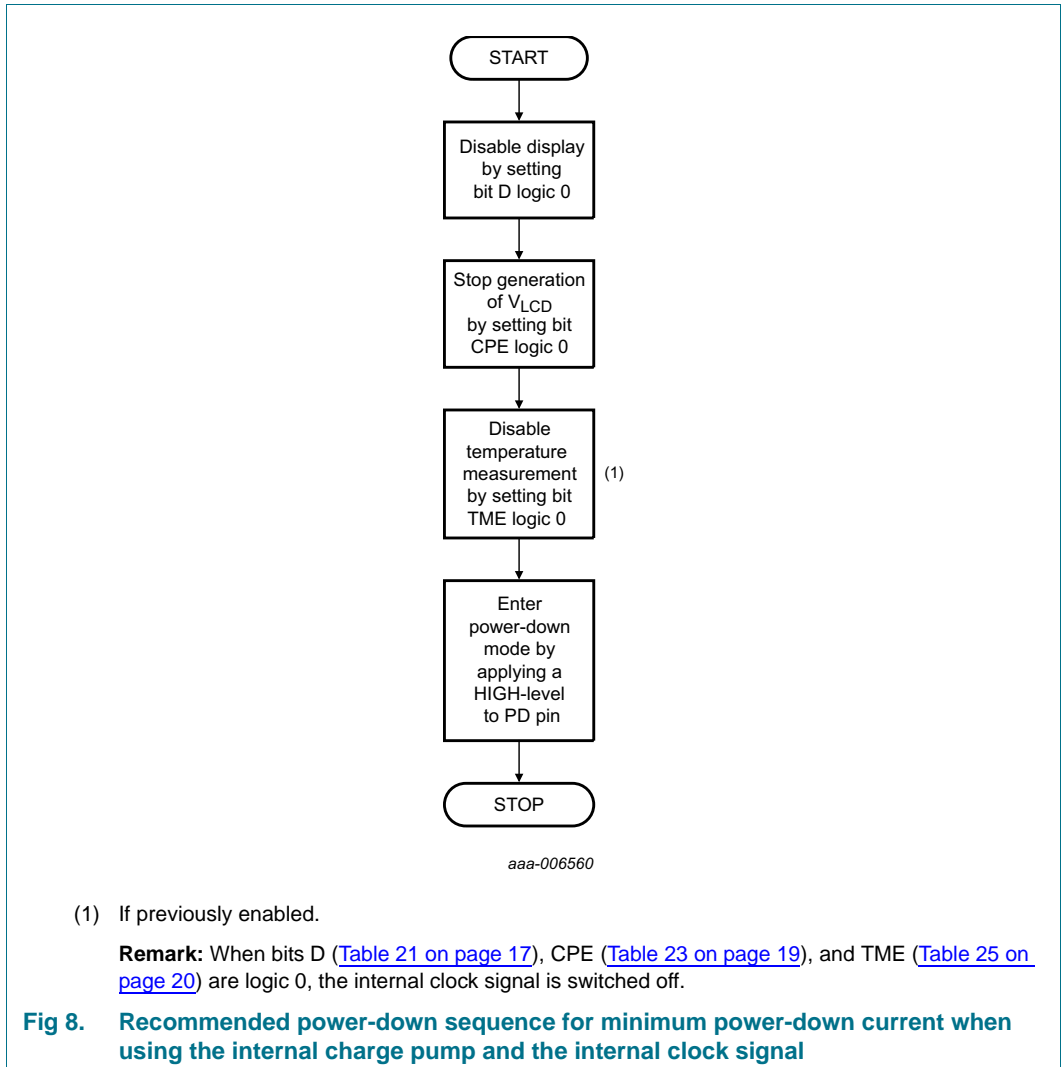
**Fig 6. Recommended start-up sequence when using the internal charge pump and an external clock signal**

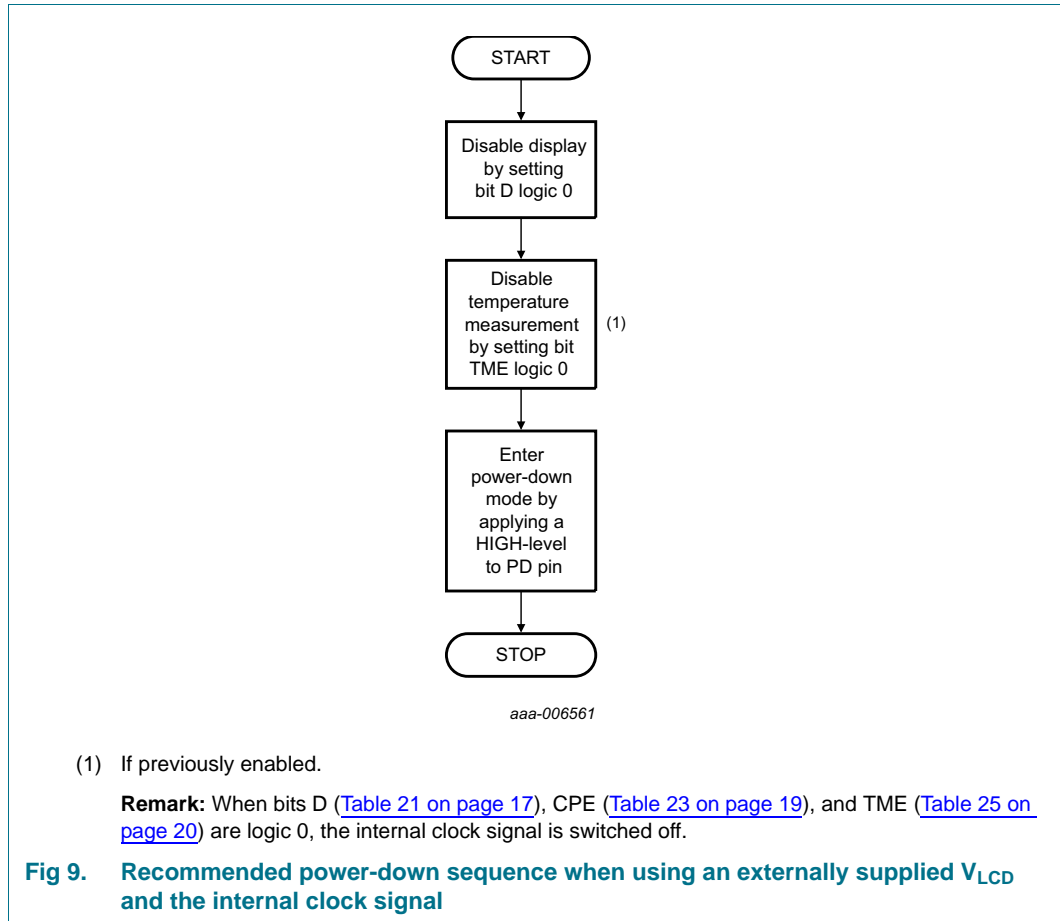


**Fig 7. Recommended start-up sequence when using an externally supplied  $V_{LCD}$  and an external clock signal**

### 8.2.5 Recommended power-down sequences

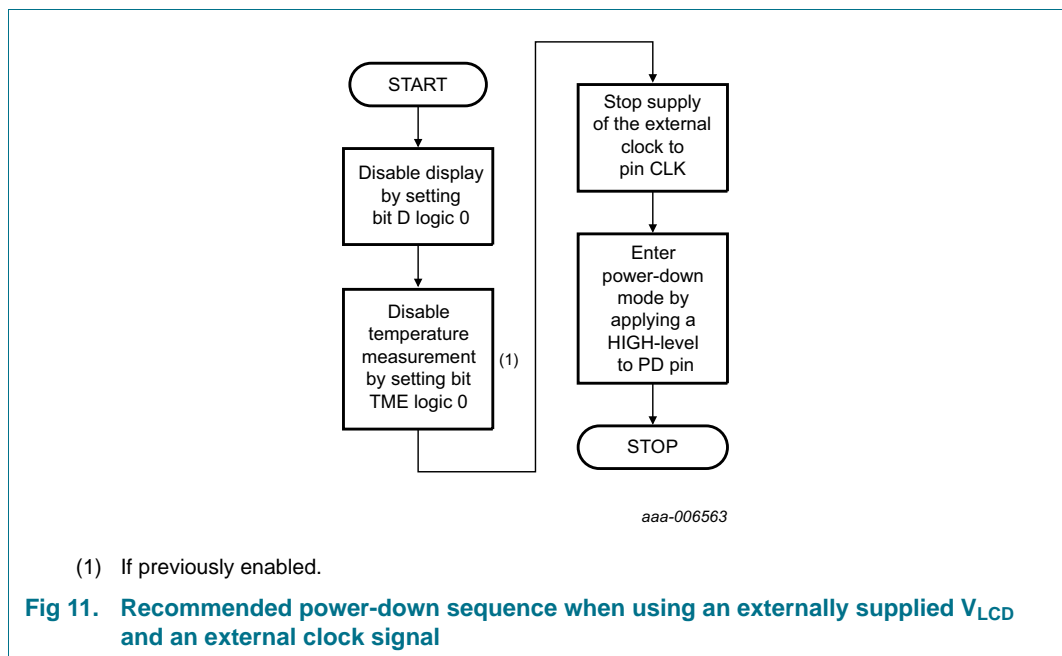
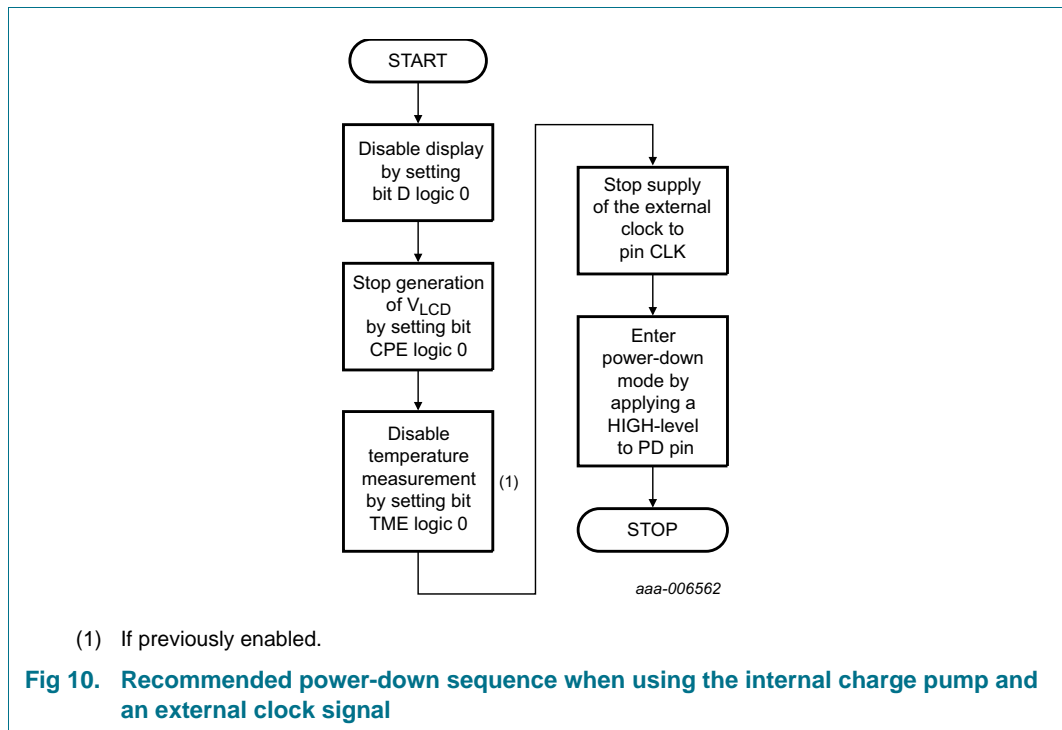
With the following sequences, the PCA8539 can be set to a state of minimum power consumption, called power-down mode.





The chip can be put into power-down mode by applying a HIGH-level to pin PD. In power-down mode, all static currents are switched off (no internal oscillator, no bias level generation and all LCD outputs are internally connected to  $V_{SS}$ ).

During power-down, information in the RAM and the chip state are not preserved. Instruction execution during power-down is not possible.



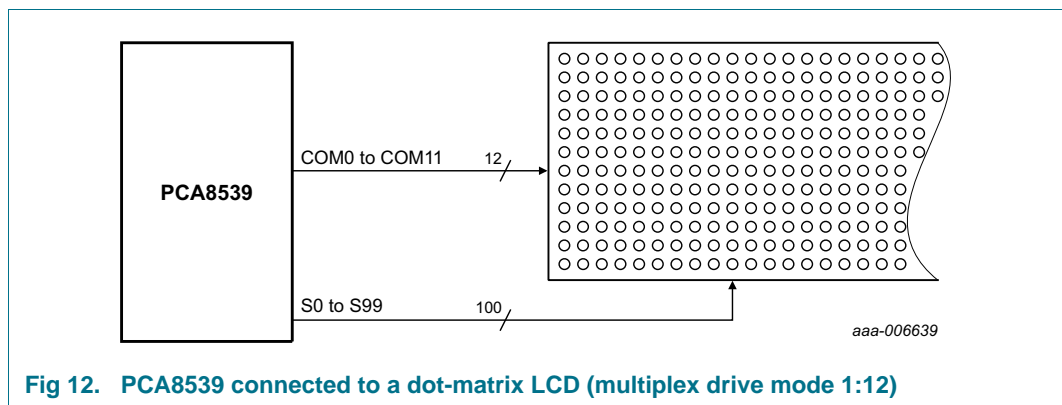
**Remarks:**

1. It is necessary to run the power-down sequence before removing the supplies. Depending on the application, care must be taken that no other signals are present at the chip input or output pins when removing the supplies (refer to [Section 10 on page 59](#)). Otherwise this may cause unwanted display artifacts. Uncontrolled removal of supply voltages does not damage the PCA8539.

2. Static voltages across the liquid crystal display can build up when the external LCD supply voltage ( $V_{LCD}$ ) is on while the IC supply voltage ( $V_{DD1}$  and  $V_{DD2}$ ) is off, or the other way round. This may cause unwanted display artifacts. To avoid such artifacts, external  $V_{LCD}$ ,  $V_{DD1}$ , and  $V_{DD2}$  must be applied or removed together.
3. A clock signal must always be supplied to the device when the device is active. Removing the clock may freeze the LCD in a DC state, which is not suitable for the liquid crystal. Disable the display first and then remove the clock signal afterwards.

### 8.3 Possible display configurations

The PCA8539 is a versatile peripheral device designed to interface between any microcontroller to a wide variety of LCD dot-matrix displays (see [Figure 12](#)).



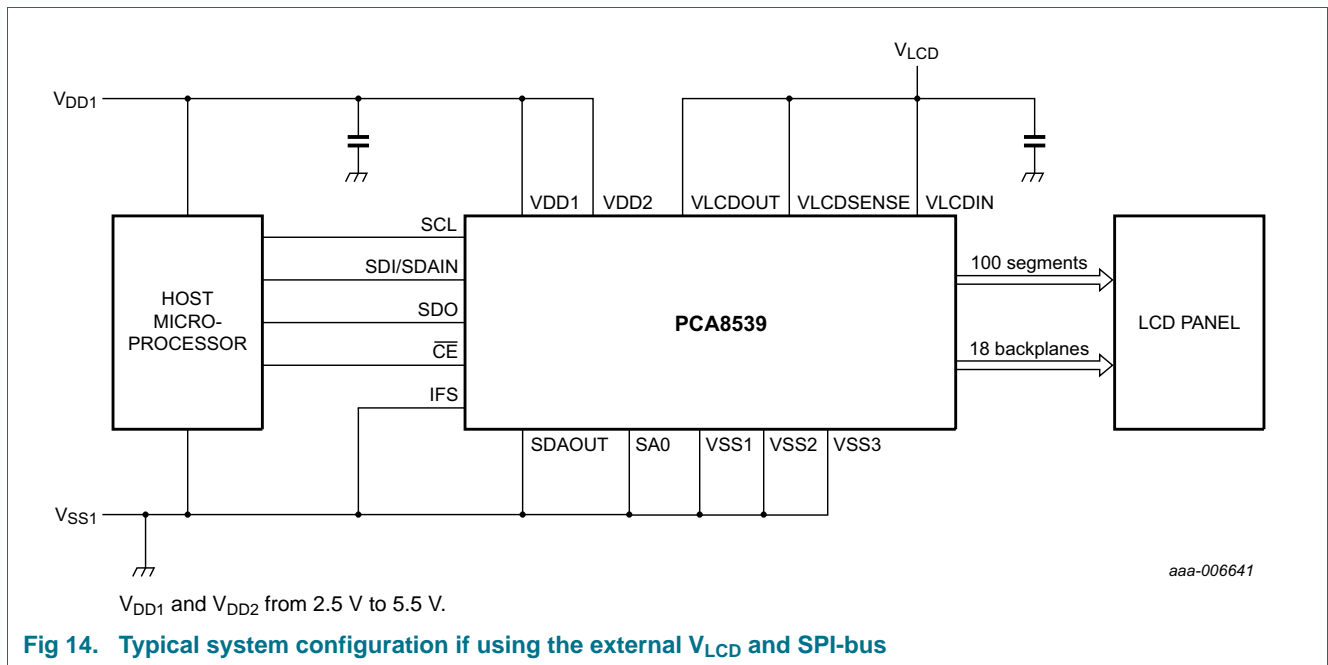
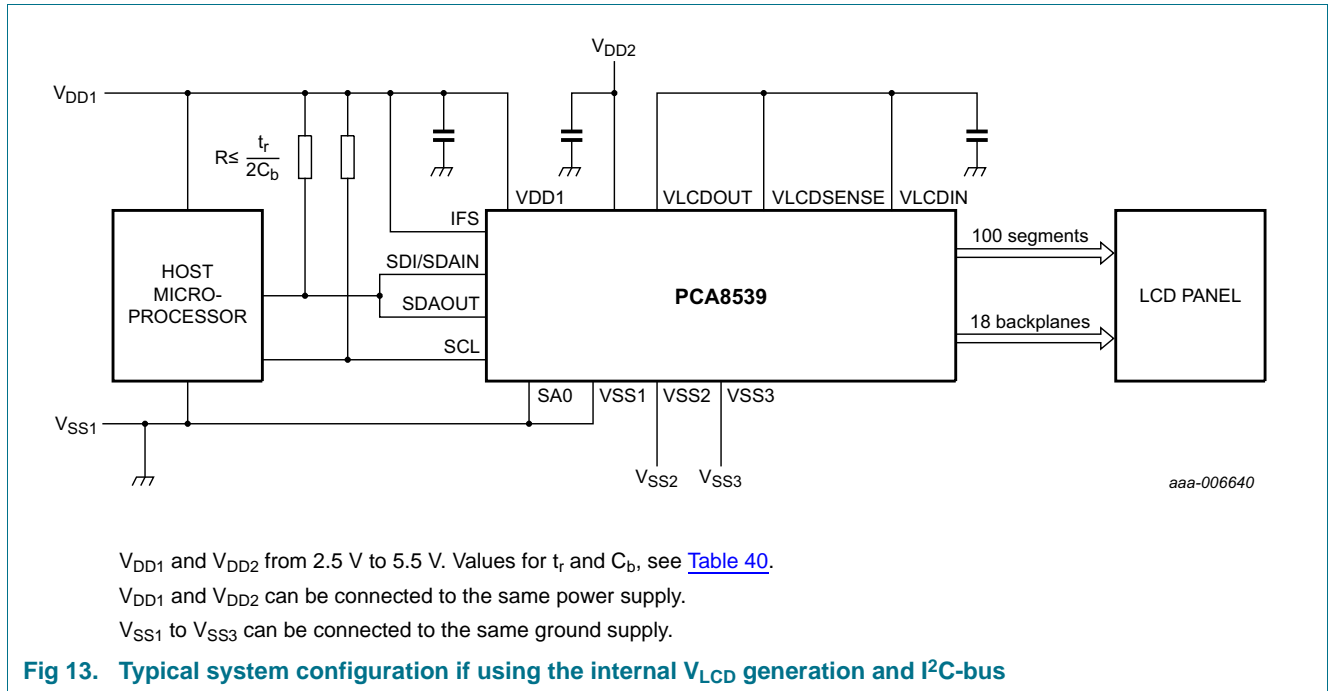
**Fig 12. PCA8539 connected to a dot-matrix LCD (multiplex drive mode 1:12)**

The host microcontroller maintains the communication channel with the PCA8539. The only other connections required to complete the system are the power supplies ( $V_{DD1}$ ,  $V_{DD2}$  and  $V_{SS1}$  to  $V_{SS3}$ ), the  $V_{LCD}$  pins ( $VLCDOUT$ ,  $VLCDSENSE$ ,  $VLCDIN$ ), the external capacitors, and the LCD panel selected for the application. The appropriate biasing voltages for the multiplexed LCD waveforms are generated internally.

External capacitors of 100 nF minimum are required on each of the pins  $V_{DD1}$  and  $V_{DD2}$ .  $V_{DD1}$  and  $V_{DD2}$  can be connected to the same power supply. In this case, a capacitor of 300 nF minimum is required.

$V_{SS1}$  to  $V_{SS3}$  can be connected to the same ground supply.

The  $VLCD$  pins ( $VLCDOUT$ ,  $VLCDSENSE$ ,  $VLCDIN$ ) can be connected, whether  $V_{LCD}$  is generated internally or supplied from external. An external capacitor of 300 nF minimum is recommended for  $VLCD$ . For high display loads, 1  $\mu$ F is suggested.



## 8.4 LCD voltage

### 8.4.1 $V_{\text{LCD}}$ pins

The PCA8539 has 3  $V_{\text{LCD}}$  pins:

**VLCDIN** —  $V_{\text{LCD}}$  supply input

**VLCDOUT** —  $V_{\text{LCD}}$  voltage output

**VLCDSENSE** —  $V_{\text{LCD}}$  regulation circuitry input

The  $V_{\text{LCD}}$  voltage can be generated on-chip or externally supplied.

### 8.4.2 External $V_{\text{LCD}}$ supply

When the external  $V_{\text{LCD}}$  supply is selected, the  $V_{\text{LCD}}$  voltage must be supplied to the pin VLCDIN. The pins VLCDOUT and VLCDSENSE can be left unconnected or alternatively connected to VLCDIN. The  $V_{\text{LCD}}$  voltage is available at the row and column drives of the device through the chosen bias system.

The internal charge pump must not be enabled, otherwise high internal currents may flow as well as high currents via pin VDD2 and pin VLCDOUT. No internal temperature compensation occurs on the externally supplied  $V_{\text{LCD}}$  even if bit TCE is set logic 1 (see [Section 8.1.4.1](#)). Also programming VLCD[8:0] has no effect on the externally supplied  $V_{\text{LCD}}$ .

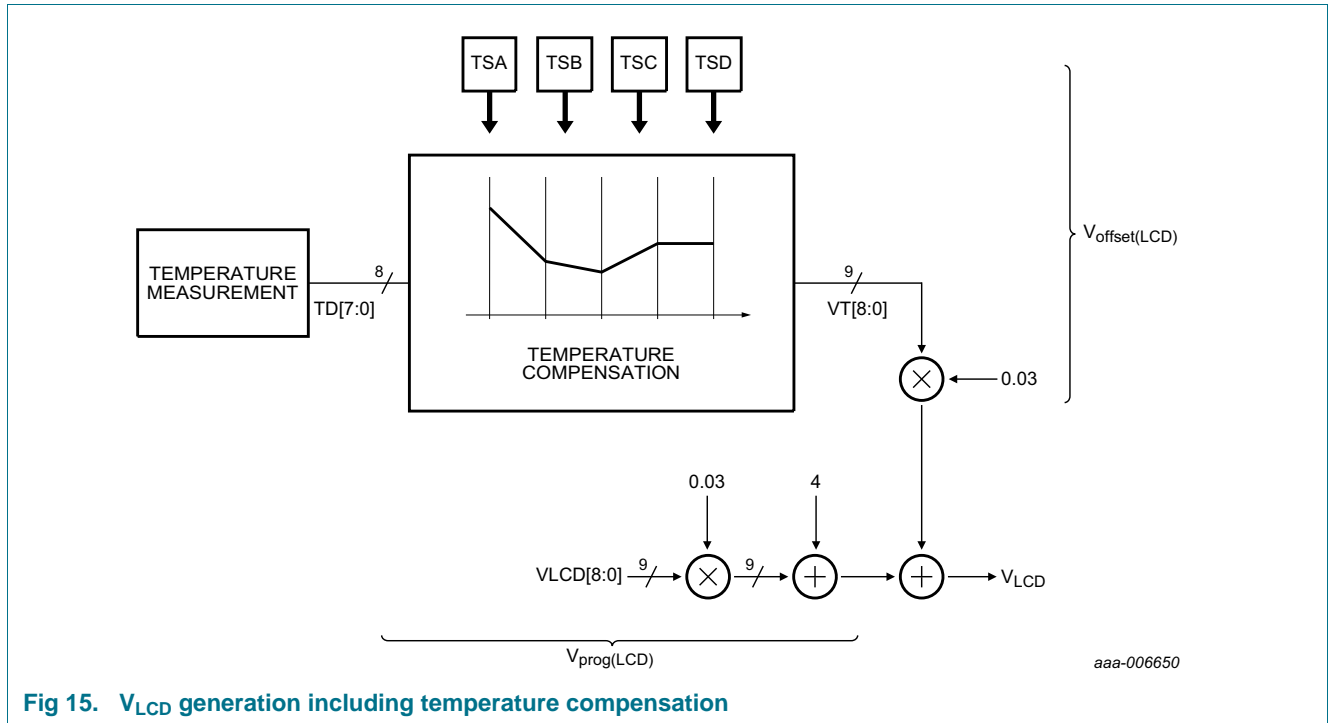
### 8.4.3 Internal $V_{\text{LCD}}$ generation

When the internal  $V_{\text{LCD}}$  generation is selected, the  $V_{\text{LCD}}$  voltage is available on pin VLCDOUT. The pins VLCDIN and VLCDSENSE must be connected to the pin VLCDOUT.

The Charge\_pump\_ctrl command (see [Table 23 on page 19](#)) controls the charge pump. It can be enabled with the CPE bit. The multiplier setting can be configured with the CPC[1:0] bits. The charge pump can generate a  $V_{\text{LCD}}$  up to  $4 \times V_{\text{DD2}}$ .

#### 8.4.3.1 $V_{\text{LCD}}$ programming

$V_{\text{LCD}}$  can be programmed with the bit-field VLCD[8:0]. The final value of  $V_{\text{LCD}}$  is a combination of the programmed VLCD[8:0] value and in addition the output of the temperature compensation block. The system is exemplified in [Figure 15](#).



**Fig 15.  $V_{LCD}$  generation including temperature compensation**

[Equation 1](#) to [Equation 3](#) exemplify the  $V_{LCD}$  generation with temperature compensation.

$$V_{prog(LCD)} = VLCD \times 0.03 V + 4 V \tag{1}$$

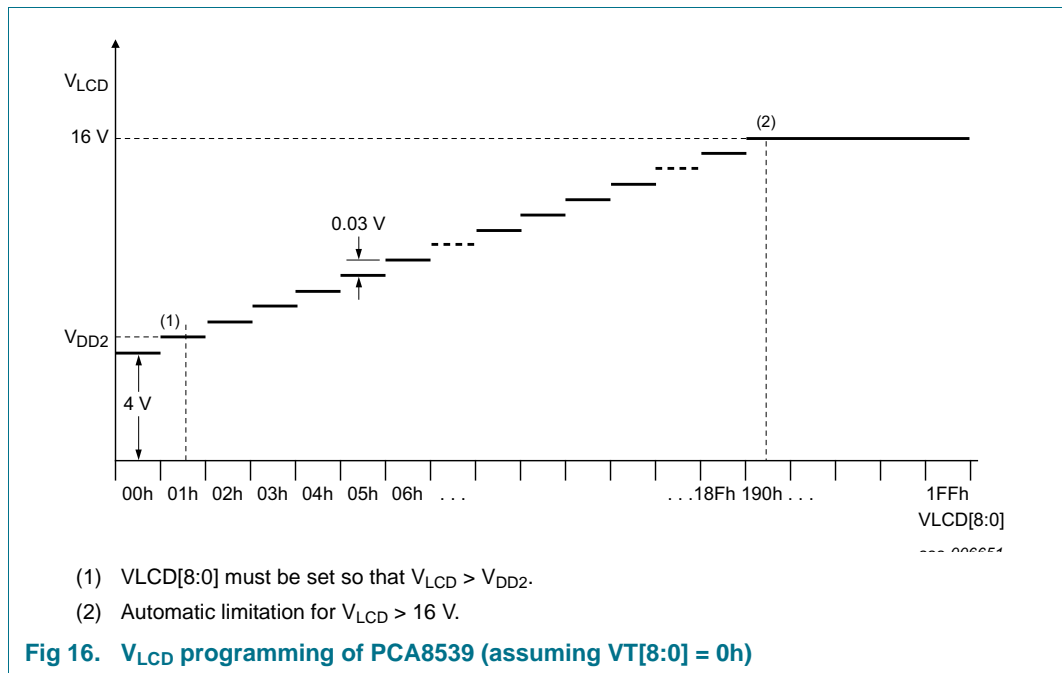
$$V_{offset(LCD)} = VT \times 0.03 V \tag{2}$$

$$V_{LCD} = V_{prog(LCD)} + V_{offset(LCD)} = VLCD \times 0.03 V + 4 V + VT \times 0.03 V \tag{3}$$

1. VLCD is the decimal value of the programmed VLCD factor (VLCD[8:0]).
2. VT is the binary value of the calculated temperature compensating factor (VT[8:0]) of the temperature compensation block (see [Table 29](#)). The temperature compensation block provides the value which is a two's complement with the value of 0h at 20 °C.

[Figure 16](#) shows how the  $V_{LCD}$  changes with the programmed value of VLCD[8:0].



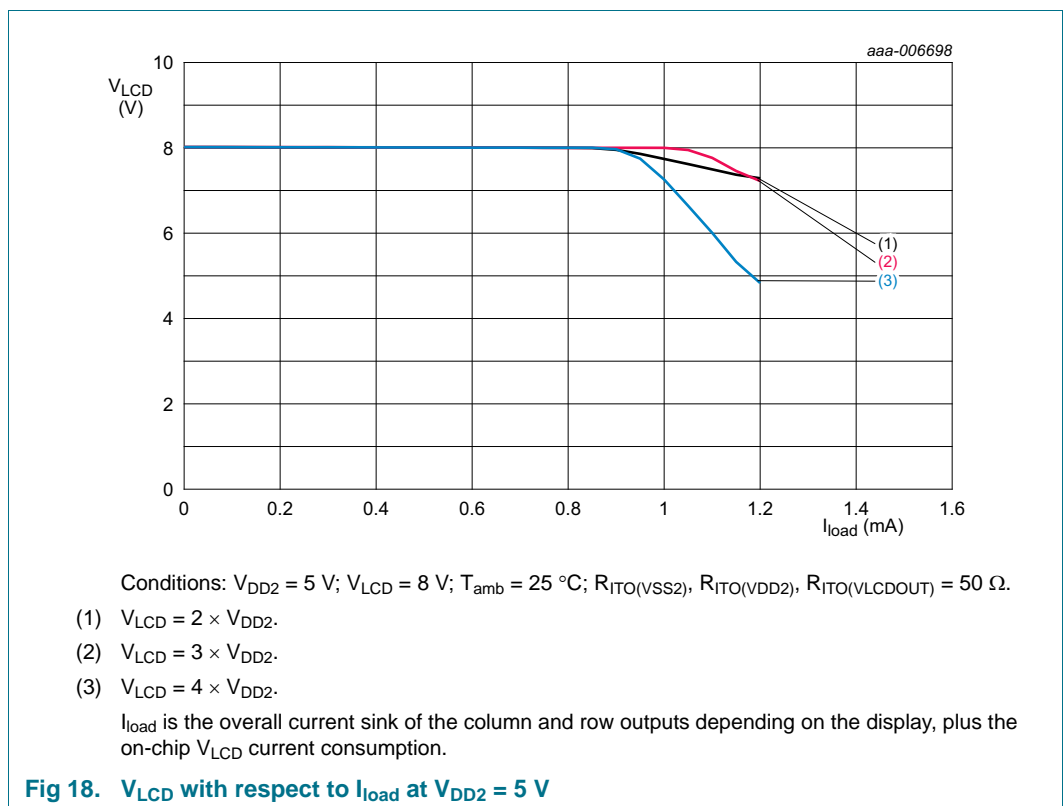
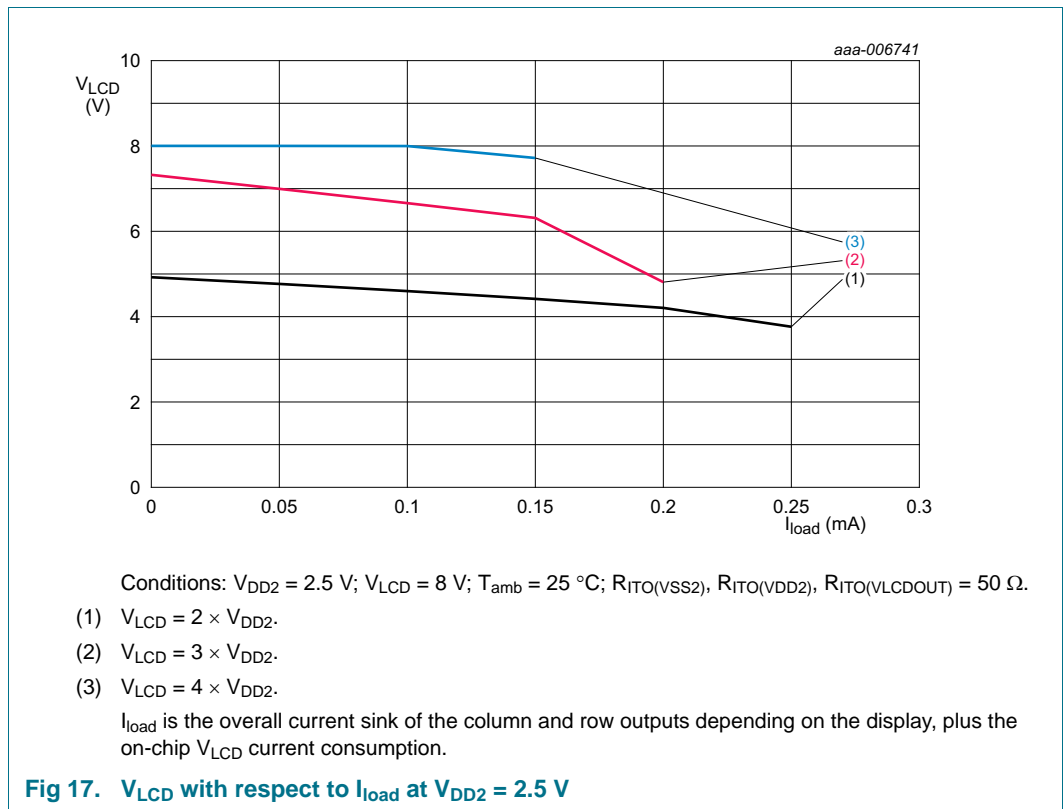


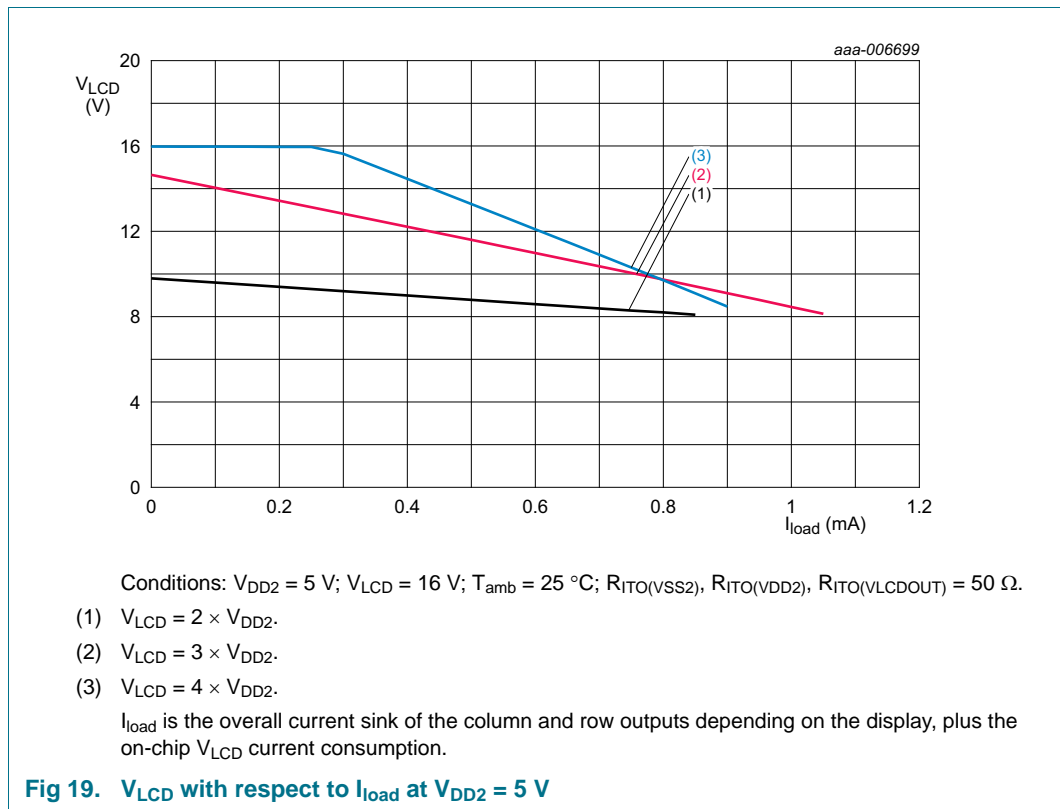
**Remarks:**

1. VLCD[8:0] has to be set to such a value that the resultant  $V_{LCD}$ , including the temperature compensation, is higher than  $V_{DD2}$ .
2. The programmable range of VLCD[8:0] is from 0h to 1FFh. This would allow achieving a  $V_{LCD}$  of higher voltages but the PCA8539 has a built-in automatic limitation set to 16 V.

**8.4.4  $V_{LCD}$  drive capability**

Figure 17 to Figure 19 illustrate the drive capability of the internal charge pump for various conditions.  $V_{LCD}$  is internally limited to 16 V.





## 8.4.5 Temperature measurement and temperature compensation of $V_{LCD}$

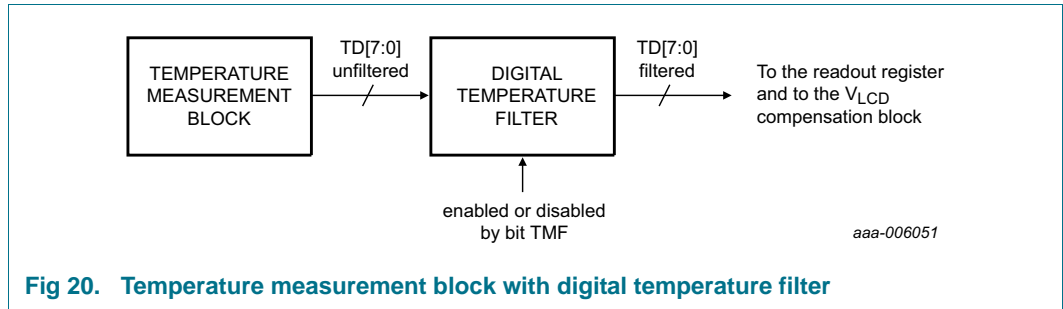
### 8.4.5.1 Temperature readout

The PCA8539 has a built-in temperature sensor which provides an 8-bit digital value (TD[7:0]) of the ambient temperature. This value can be read by command (see [Section 8.1.1.5 on page 10](#)). The actual temperature is determined from TD[7:0] using [Equation 4](#).

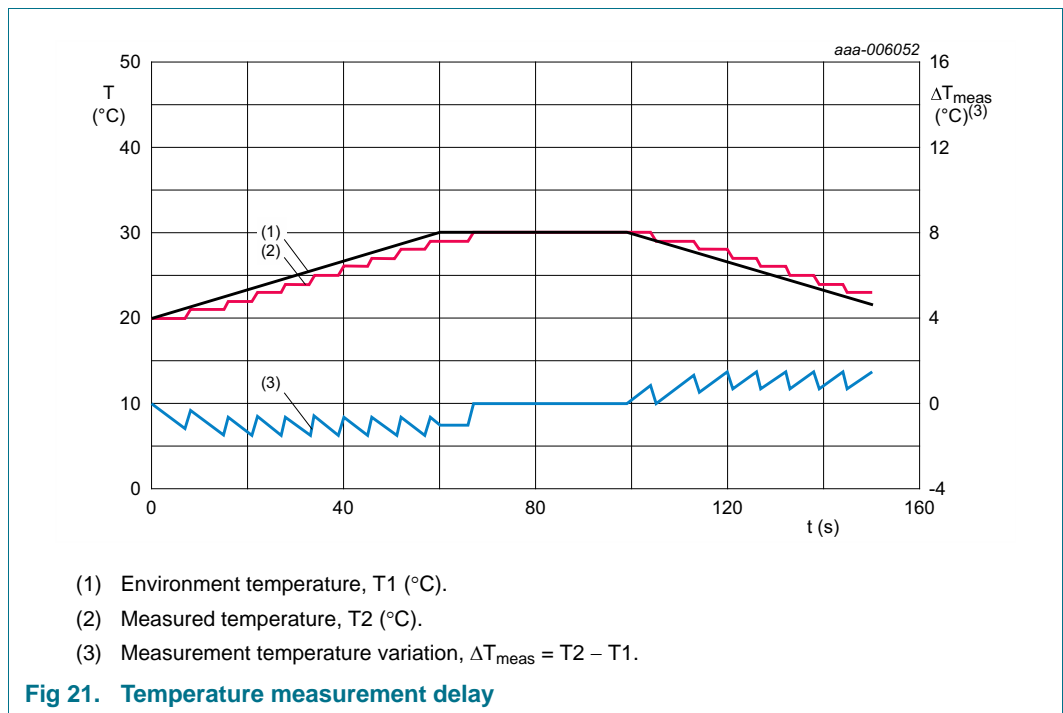
$$T(^{\circ}\text{C}) = 0.6275 \times TD - 40 \tag{4}$$

TD[7:0] = FFh means that no temperature readout is available or was performed. FFh is the default value after initialization. The measurement needs about 8 ms to complete. It is repeated periodically every second as long as bit TME is set logic 1 (see [Table 25 on page 20](#)).

Due to the nature of a temperature sensor, oscillations may occur. To avoid this, a filter has been implemented in PCA8539. A control bit, TMF, is implemented to enable or disable the digital temperature filter (see [Table 25 on page 20](#)). The system is exemplified in [Figure 20](#).



The digital temperature filter introduces a certain delay in the measurement of the temperature. This behavior is illustrated in [Figure 21](#).



### 8.4.5.2 Temperature adjustment of the V<sub>LCD</sub>

Due to the temperature dependency of the liquid crystal viscosity, the LCD supply voltage may have to be adjusted at different temperatures to maintain optimal contrast. The temperature characteristics of the liquid are provided by the LCD manufacturer. The slope has to be set to compensate for the liquid behavior. Internal temperature compensation can be enabled via bit TCE (see [Table 25 on page 20](#)).

The ambient temperature range is split up into 4 regions (see [Figure 22](#)) and to each a different temperature coefficient can be applied.

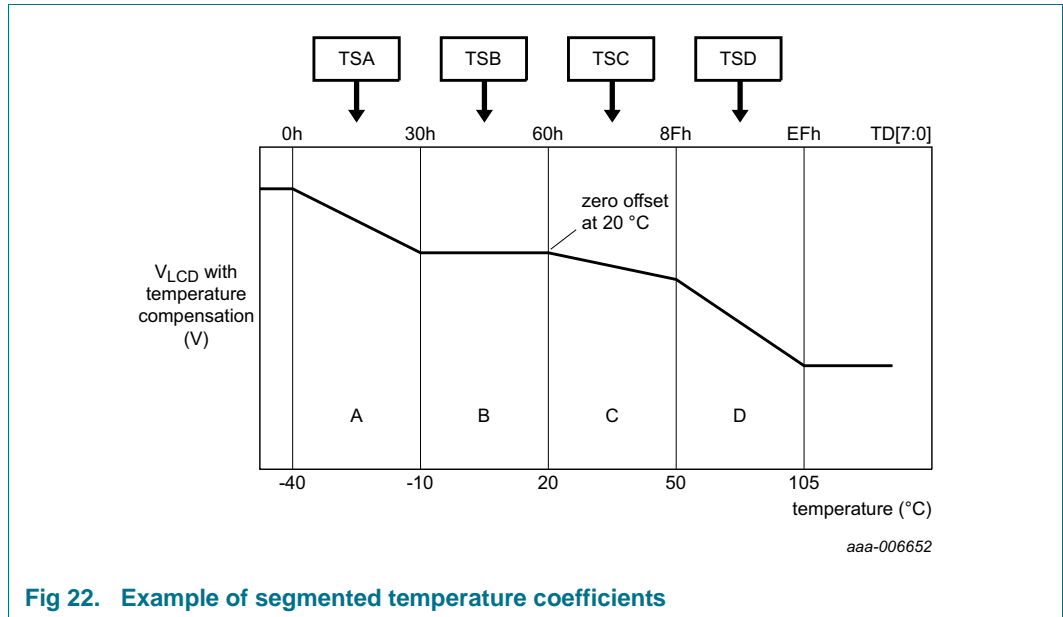


Fig 22. Example of segmented temperature coefficients

The temperature coefficients can be selected from a choice of eight different slopes. Each one of these coefficients is independently selected via the TC\_slope command (see [Section 8.1.4.2 on page 21](#)).

Table 28. Temperature coefficients

| TSA[2:0] to TSD[2:0] value | Slope factor (mV/°C) | Temperature factor TSA to TSD <sup>[1]</sup> |
|----------------------------|----------------------|--|
| 000 <sup>[2]</sup>         | 0                    | 0.000  |
| 001                        | -6                   | -0.125                                       |
| 010                        | -12                  | -0.250                                       |
| 011                        | -24                  | -0.500                                       |
| 100                        | -60                  | -1.250                                       |
| 101                        | +6                   | +0.125                                       |
| 110                        | +12                  | +0.250                                       |
| 111                        | +24                  | +0.500                                       |

[1] The relationship between the temperature coefficients TSA to TSD and the slope factor is derived from [Equation 5](#), where LSB of VLCD[8:0] ≅ 30 mV.

[2] Default value.

$$TSn = \frac{0.6275(°C)}{30(mV)} \times slope\ factor(mV/°C) \tag{5}$$

The value of the temperature compensated factor VT[8:0] is calculated according to [Table 29](#).

**Table 29. Calculation of the temperature compensating factor VT**

| Temperature range (°C)                 | Decimal value of TD[7:0] | Equations of factor VT                            |
|--|--------------------------|---|
| $T \leq -40\text{ °C}$                 | 0                        | $VT = -48 \times TSB - 48 \times TSA$             |
| $-40\text{ °C} < T \leq -10\text{ °C}$ | 0 to 48                  | $VT = -48 \times TSB - (48 - TD[7:0]) \times TSA$ |
| $-10\text{ °C} < T \leq 20\text{ °C}$  | 49 to 96                 | $VT = -(96 - TD[7:0]) \times TSB$                 |
| $20\text{ °C} < T \leq 50\text{ °C}$   | 97 to 143                | $VT = (TD[7:0] - 96) \times TSC$                  |
| $50\text{ °C} < T < 105\text{ °C}$     | 144 to 230               | $VT = 47 \times TSC + (TD[7:0] - 143) \times TSD$ |
| $105\text{ °C} \leq T$ [1]             | 231                      | $VT = 47 \times TSC + 88 \times TSD$              |

[1] No temperature compensation is possible above 105 °C. Above this value, the system maintains the compensation value from 105 °C.

### 8.4.5.3 Example calculation of $V_{\text{offset(LCD)}}$

Assumed that  $T_{\text{amb}} = -8\text{ °C}$

1. Choose a temperature factor from [Table 28](#), for example  $TSB[2:0] = 001$ , which gives a temperature factor of  $-0.125$ .
2. Calculate the decimal value of TD[7:0] with [Equation 4](#):

$$TD = \frac{-8 + 40}{0.6275} \approx 51.$$

3. Calculate the temperature compensating factor VT with the appropriate equation from [Table 29](#):

$$VT = -(96 - 51) \times -0.125 = 5.625.$$

4. Calculate  $V_{\text{offset(LCD)}}$  with [Equation 2](#):

$$V_{\text{offset(LCD)}} = 5.625 \times 0.03\text{ V} = 0.169\text{ V}.$$

### 8.4.6 LCD bias voltage generator

The intermediate bias voltages for the LCD are generated on-chip. This removes the need for an external resistive bias chain and significantly reduces the system current consumption. The optimum value of  $V_{\text{LCD}}$  depends on the multiplex rate, the LCD threshold voltage ( $V_{\text{th}}$ ) and the number of bias levels.

The intermediate bias levels for the different multiplex rates are shown in [Table 30](#). These bias levels are automatically set to the given values when switching to the corresponding multiplex rate.

**Table 30. Bias levels as a function of multiplex rate**

| Multiplex rate | LCD bias configuration | Bias voltages    |                             |                             |                             |                             |                 |
|----------------|------------------------|------------------|-----------------------------|-----------------------------|-----------------------------|-----------------------------|-----------------|
|                |                        | $V_1$            | $V_2$                       | $V_3$                       | $V_4$                       | $V_5$                       | $V_6$           |
| 1:18           | $\frac{1}{4}$          | $V_{\text{LCD}}$ | $\frac{3}{4}V_{\text{LCD}}$ | $\frac{1}{2}V_{\text{LCD}}$ | $\frac{1}{2}V_{\text{LCD}}$ | $\frac{1}{4}V_{\text{LCD}}$ | $V_{\text{SS}}$ |
| 1:12           | $\frac{1}{4}$          | $V_{\text{LCD}}$ | $\frac{3}{4}V_{\text{LCD}}$ | $\frac{1}{2}V_{\text{LCD}}$ | $\frac{1}{2}V_{\text{LCD}}$ | $\frac{1}{4}V_{\text{LCD}}$ | $V_{\text{SS}}$ |

The RMS on-state voltage ( $V_{\text{on(RMS)}}$ ) for the LCD is calculated with [Equation 6](#) and the RMS off-state voltage ( $V_{\text{off(RMS)}}$ ) with [Equation 7](#):

$$V_{on(RMS)} = V_{LCD} \sqrt{\frac{a^2 + 2a + n}{n \times (1 + a)^2}} \quad (6)$$

$$V_{off(RMS)} = V_{LCD} \sqrt{\frac{a^2 - 2a + n}{n \times (1 + a)^2}} \quad (7)$$

where the values of a are

$$a = 3 \text{ for } 1/4 \text{ bias}$$

and the values for n are

$$n = 12 \text{ for } 1:12 \text{ multiplex rate}$$

$$n = 18 \text{ for } 1:18 \text{ multiplex rate.}$$

Discrimination (D) is the ratio of  $V_{on(RMS)}$  to  $V_{off(RMS)}$  and is determined from [Equation 8](#). Discrimination is a term which is defined as the ratio of the on and off RMS voltage across a segment. It can be thought of as a measurement of contrast.

$$D = \frac{V_{on(RMS)}}{V_{off(RMS)}} = \frac{\sqrt{(a + 1)^2 + (n - 1)}}{\sqrt{(a - 1)^2 + (n - 1)}} \quad (8)$$

**Remark:**

- Row and column outputs comprise a series resistance  $R_O$  (see [Table 38](#)).
- $V_{LCD}$  is sometimes referred as the LCD operating voltage.

**8.4.6.1 Electro-optical performance**

Suitable values for  $V_{on(RMS)}$  and  $V_{off(RMS)}$  are dependent on the LCD liquid used. The RMS voltage, at which a pixel is switched on or off, determines the transmissibility of the pixel.

For any given liquid, there are two threshold values defined. One point is at 10 % relative transmission (at  $V_{th(off)}$ ) and the other at 90 % relative transmission (at  $V_{th(on)}$ ), see [Figure 23](#). For a good contrast performance, the following rules should be followed:

$$V_{on(RMS)} \geq V_{th(on)} \quad (9)$$

$$V_{off(RMS)} \leq V_{th(off)} \quad (10)$$

$V_{on(RMS)}$  and  $V_{off(RMS)}$  are properties of the display driver and are affected by the selection of a (see [Equation 6](#)), n (see [Equation 8](#)), and the  $V_{LCD}$  voltage.

$V_{th(off)}$  and  $V_{th(on)}$  are properties of the LCD liquid and can be provided by the module manufacturer.  $V_{th(off)}$  is sometimes named  $V_{th}$ .  $V_{th(on)}$  is sometimes named saturation voltage  $V_{sat}$ .

It is important to match the module properties to those of the driver in order to achieve optimum performance.

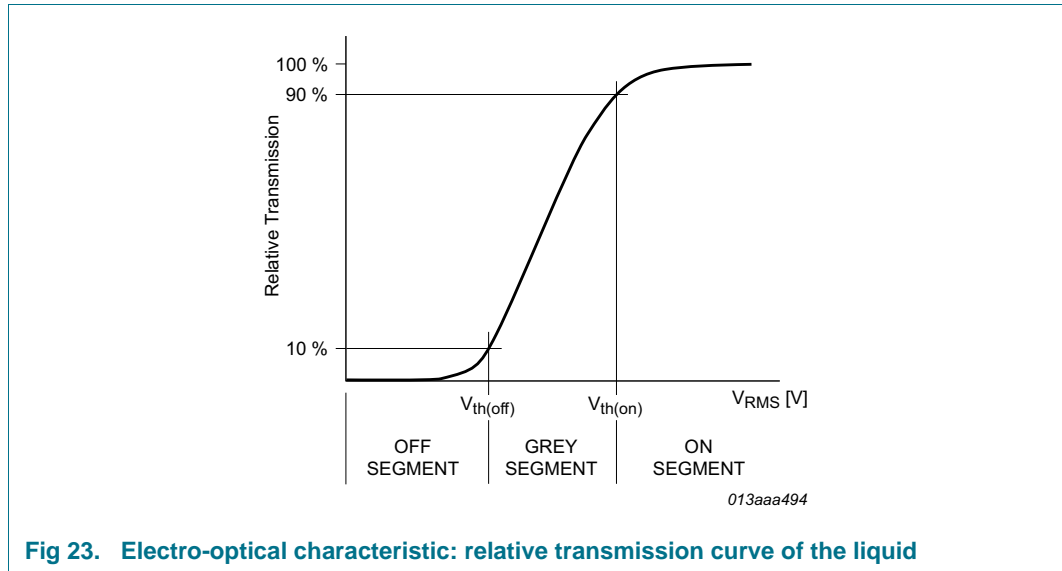


Fig 23. Electro-optical characteristic: relative transmission curve of the liquid

### 8.4.7 LCD drive mode waveforms

The PCA8539 contains 18 backplane and 100 segment drivers, which drive the appropriate LCD bias voltages in sequence to the display and in accordance with the data to be displayed. Unused outputs should be left open.

The bias voltages and the timing are automatically selected when the number of lines in the display is selected. [Figure 24](#) and [Figure 25](#) show typical waveforms.



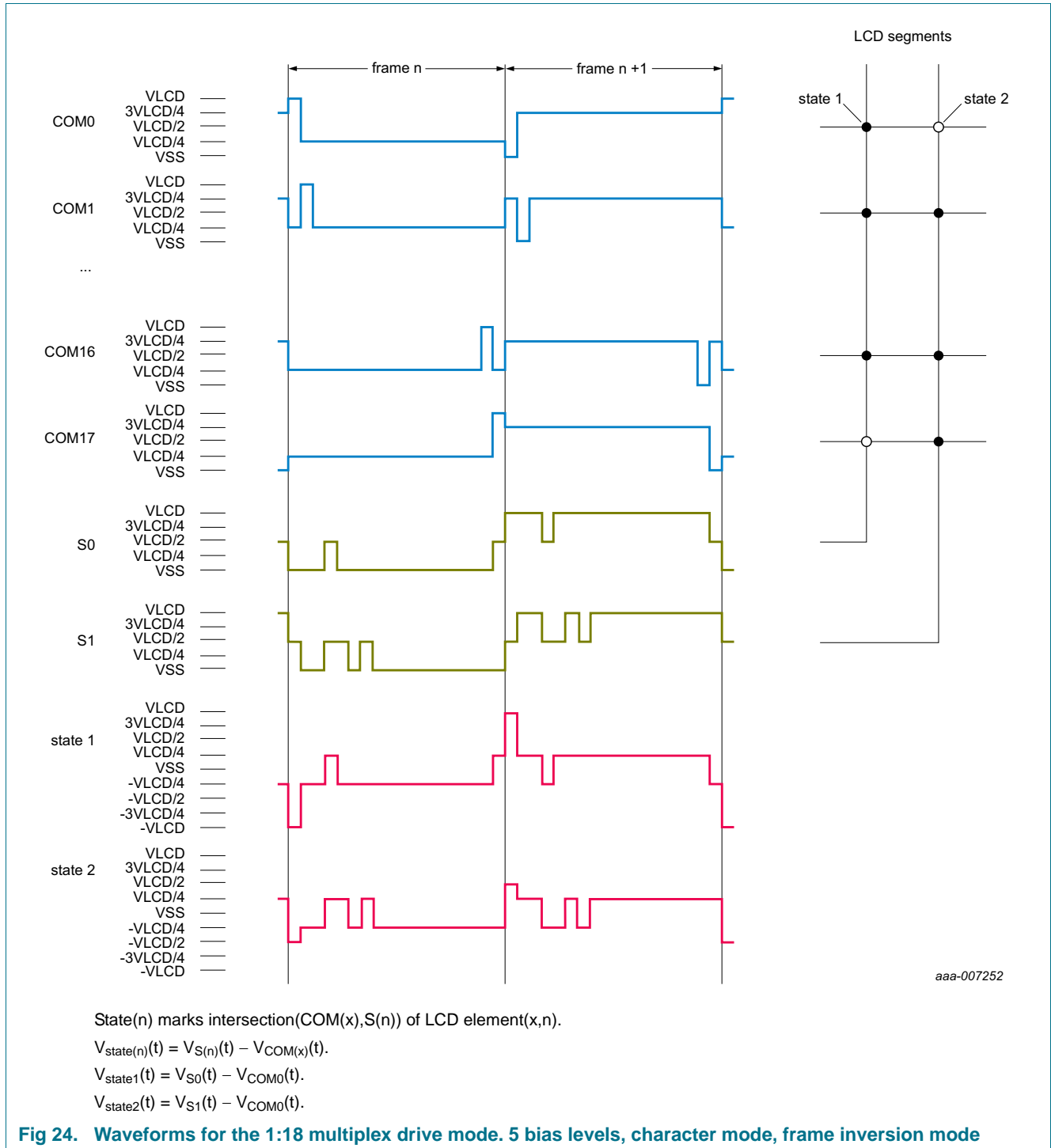
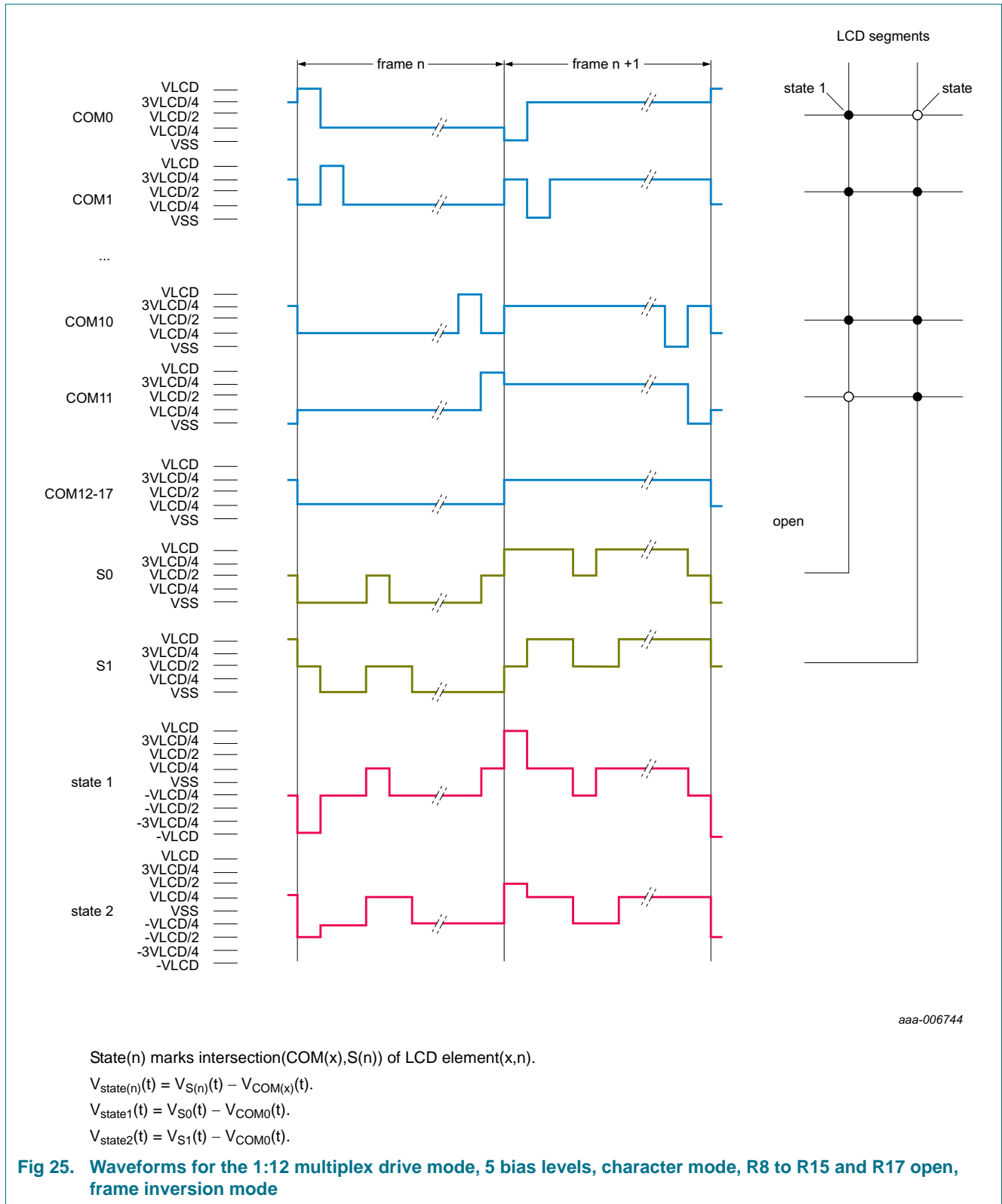


Fig 24. Waveforms for the 1:18 multiplex drive mode. 5 bias levels, character mode, frame inversion mode



### 8.5 Display RAM and general-purpose RAM

The PCA8539 has a display RAM and two general-purpose RAM. The RAM access is exemplified in [Figure 26](#).

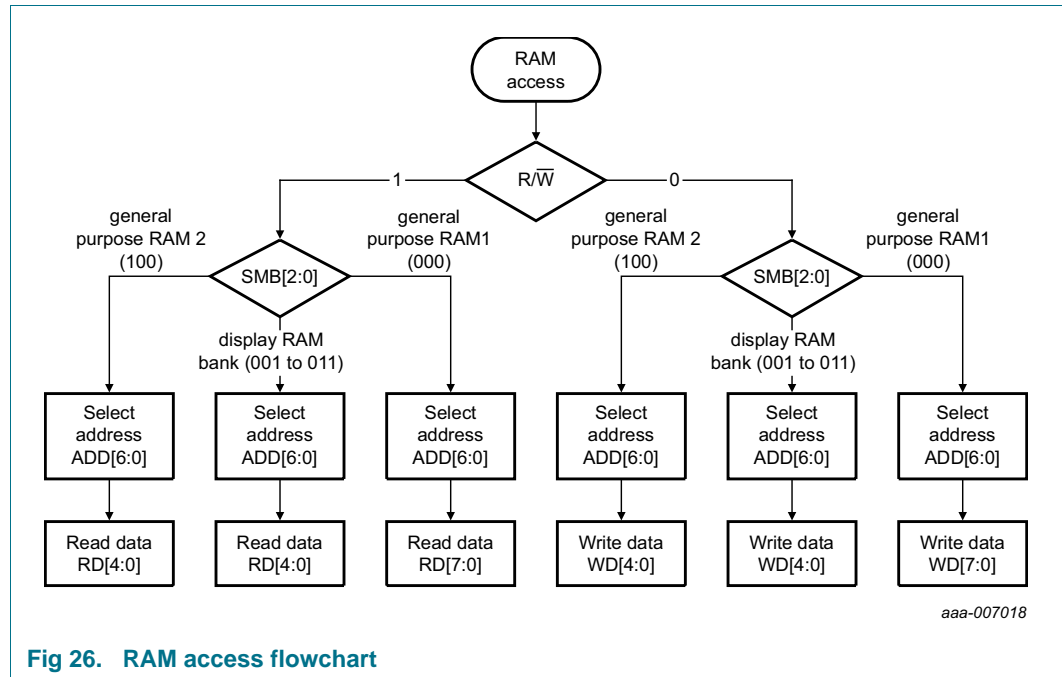


Fig 26. RAM access flowchart

#### 8.5.1 Checksum

In order to detect transmission failures for RAM content transfers, the PCA8539 has a checksum calculator providing an XOR or CRC-8 checksum. The checksum calculator can be configured with bit XC of the Read\_reg\_select command (see [Section 8.1.1.5](#)). The checksum result can be read out with the Read\_status\_reg command (see [Section 8.1.1.6](#)).

The checksum results are:

- when XC = 0 (XOR checksum)
  - The checksum is the result of the XOR operation on the values loaded with the Write\_data command and the previous register content.
  - The checksum result is reset when the bits of the command select RS[1:0] or  $\overline{R/W}$  are changed.
- when XC = 1 (CRC-8 checksum)
  - The checksum is the result of the CRC-8 operation on the values loaded with the Write\_data command and the previous register content. The polynomial used is  $x^8 + x^5 + x^4 + 1$ .
  - The checksum result is reset when the bits of the command select RS[1:0] or  $\overline{R/W}$  are changed.

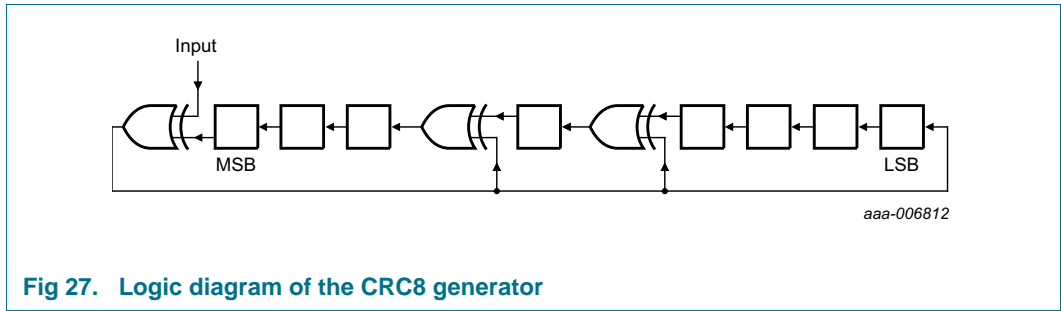


Fig 27. Logic diagram of the CRC8 generator

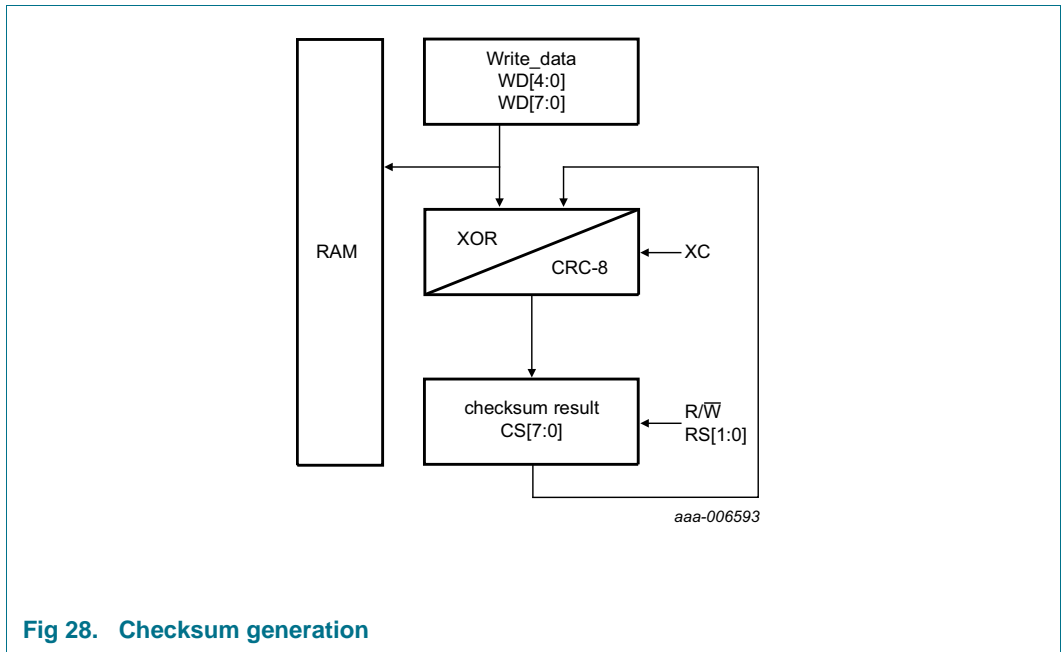


Fig 28. Checksum generation

### 8.5.2 Display RAM and multiplex drive modes

The display RAM is a static 100 × 18-bit RAM which stores LCD data. Logic 1 in the RAM bit map indicates the on-state, logic 0 the off-state of the corresponding LCD element. There is a one-to-one correspondence between the bits in the display RAM bitmap ([Table 31](#)) and the LCD elements.

The display RAM bitmap ([Table 31](#)) shows that the display RAM is organized in three RAM banks. The access to the RAM banks is controlled by SMB[2:0] (see [Table 13](#)). Row 0 to row 17 in the display RAM bitmap correspond with the backplane outputs COM0 to COM17, and column 0 to column 99 correspond with the segment outputs S0 to S99.

Table 31. Display RAM bitmap

| RAM bank | RAM bank select | RAM address | Row (Back-plane) | Column (segment) |    |     |    |     | RAM bank | RAM bank select | RAM address | Row (Back-plane) | Column (segment) |    |    |    |    |
|----------|-----------------|-------------|------------------|------------------|----|-----|----|-----|----------|-----------------|-------------|------------------|------------------|----|----|----|----|
|          |                 |             |                  | Bit              |    |     |    |     |          |                 |             |                  | Bit              |    |    |    |    |
|          | SMB[2:0]        | ADD[6:0]    |                  | 4                | 3  | 2   | 1  | 0   |          | SMB[2:0]        | ADD[6:0]    |                  | 4                | 3  | 2  | 1  | 0  |
| 1        | 001             | 0h          | 0                | 0                | 1  | 2   | 3  | 4   | 2        | 010             | 34h         | 9                | 0                | 1  | 2  | 3  | 4  |
|          |                 | 1h          |                  | 5                | 6  | 7   | 8  | 9   |          |                 | 35h         |                  | 5                | 6  | 7  | 8  | 9  |
|          |                 | 2h          |                  | 10               | 11 | 12  | 13 | 14  |          |                 | 36h         |                  | 10               | 11 | 12 | 13 | 14 |
|          |                 | 3h          |                  | 15               | 16 | 17  | 18 | 19  |          |                 | 37h         |                  | 15               | 16 | 17 | 18 | 19 |
|          |                 | 4h          |                  | 20               | 21 | 22  | 23 | 24  |          |                 | 38h         |                  | 20               | 21 | 22 | 23 | 24 |
|          |                 | 5h          |                  | 25               | 26 | 27  | 28 | 29  |          |                 | 39h         |                  | 25               | 26 | 27 | 28 | 29 |
|          |                 | 6h          |                  | 30               | 31 | 32  | 33 | 34  |          |                 | 3Ah         |                  | 30               | 31 | 32 | 33 | 34 |
|          |                 | 7h          |                  | 35               | 36 | 37  | 38 | 39  |          |                 | 3Bh         |                  | 35               | 36 | 37 | 38 | 39 |
|          |                 | 8h          |                  | 40               | 41 | 42  | 43 | 44  |          |                 | 3Ch         |                  | 40               | 41 | 42 | 43 | 44 |
|          |                 | 9h          |                  | 45               | 46 | 47  | 48 | 49  |          |                 | 3Dh         |                  | 45               | 46 | 47 | 48 | 49 |
|          |                 | Ah          |                  | 50               | 51 | 52  | 53 | 54  |          |                 | 3Eh         |                  | 50               | 51 | 52 | 53 | 54 |
|          |                 | Bh          |                  | 55               | 56 | 57  | 58 | 59  |          |                 | 3Fh         |                  | 55               | 56 | 57 | 58 | 59 |
|          |                 | Ch          |                  | 60               | 61 | 62  | 63 | 64  |          |                 | 40h         |                  | 60               | 61 | 62 | 63 | 64 |
|          |                 | Dh          |                  | 65               | 66 | 67  | 68 | 69  |          |                 | 41h         |                  | 65               | 66 | 67 | 68 | 69 |
|          |                 | Eh          |                  | 70               | 71 | 72  | 73 | 74  |          |                 | 42h         |                  | 70               | 71 | 72 | 73 | 74 |
|          |                 | Fh          | 75               | 76               | 77 | 78  | 79 | 43h | 75       | 76              | 77          | 78               | 79               |    |    |    |    |
|          |                 | 10h         | 80               | 81               | 82 | 83  | 84 | 44h | 80       | 81              | 82          | 83               | 84               |    |    |    |    |
|          |                 | 11h         | 85               | 86               | 87 | 88  | 89 | 45h | 85       | 86              | 87          | 88               | 89               |    |    |    |    |
|          |                 | 12h         | 90               | 91               | 92 | 93  | 94 | 46h | 90       | 91              | 92          | 93               | 94               |    |    |    |    |
|          |                 | 13h         | 95               | 96               | 97 | 98  | 99 | 47h | 95       | 96              | 97          | 98               | 99               |    |    |    |    |
|          |                 | 14h         | 0                | 1                | 2  | 3   | 4  | 48h | 0        | 1               | 2           | 3                | 4                |    |    |    |    |
|          |                 | 15h         | 5                | 6                | 7  | 8   | 9  | 49h | 5        | 6               | 7           | 8                | 9                |    |    |    |    |
|          |                 | 16h         | 10               | 11               | 12 | 13  | 14 | 4Ah | 10       | 11              | 12          | 13               | 14               |    |    |    |    |
| 17h      | 15              | 16          | 17               | 18               | 19 | 4Bh | 15 | 16  | 17       | 18              | 19          |                  |                  |    |    |    |    |
| 18h      | 20              | 21          | 22               | 23               | 24 | 4Ch | 20 | 21  | 22       | 23              | 24          |                  |                  |    |    |    |    |
| 19h      | 25              | 26          | 27               | 28               | 29 | 4Dh | 25 | 26  | 27       | 28              | 29          |                  |                  |    |    |    |    |
| 1Ah      | 30              | 31          | 32               | 33               | 34 | 4Eh | 30 | 31  | 32       | 33              | 34          |                  |                  |    |    |    |    |
| 1Bh      | 35              | 36          | 37               | 38               | 39 | 4Fh | 35 | 36  | 37       | 38              | 39          |                  |                  |    |    |    |    |
| 1Ch      | 40              | 41          | 42               | 43               | 44 | 50h | 40 | 41  | 42       | 43              | 44          |                  |                  |    |    |    |    |
| 1Dh      | 45              | 46          | 47               | 48               | 49 | 51h | 45 | 46  | 47       | 48              | 49          |                  |                  |    |    |    |    |
| 1Eh      | 50              | 51          | 52               | 53               | 54 | 52h | 50 | 51  | 52       | 53              | 54          |                  |                  |    |    |    |    |
| 1Fh      | 55              | 56          | 57               | 58               | 59 | 53h | 55 | 56  | 57       | 58              | 59          |                  |                  |    |    |    |    |
| 20h      | 60              | 61          | 62               | 63               | 64 | 54h | 60 | 61  | 62       | 63              | 64          |                  |                  |    |    |    |    |
| 21h      | 65              | 66          | 67               | 68               | 69 | 55h | 65 | 66  | 67       | 68              | 69          |                  |                  |    |    |    |    |
| 22h      | 70              | 71          | 72               | 73               | 74 | 56h | 70 | 71  | 72       | 73              | 74          |                  |                  |    |    |    |    |
| 23h      | 75              | 76          | 77               | 78               | 79 | 57h | 75 | 76  | 77       | 78              | 79          |                  |                  |    |    |    |    |

Table 31. Display RAM bitmap ...continued

| RAM bank | RAM bank select | RAM address | Row (Back-plane) | Column (segment) |    |    |    |     | RAM bank | RAM bank select | RAM address | Row (Back-plane) | Column (segment) |    |    |    |    |
|----------|-----------------|-------------|------------------|------------------|----|----|----|-----|----------|-----------------|-------------|------------------|------------------|----|----|----|----|
|          |                 |             |                  | Bit              |    |    |    |     |          |                 |             |                  | Bit              |    |    |    |    |
|          |                 |             |                  | 4                | 3  | 2  | 1  | 0   |          |                 |             |                  | 4                | 3  | 2  | 1  | 0  |
| 1        | 001             | 24h         | 1                | 80               | 81 | 82 | 83 | 84  | 2        | 010             | 58h         | 10               | 80               | 81 | 82 | 83 | 84 |
|          |                 | 25h         |                  | 85               | 86 | 87 | 88 | 89  |          |                 | 59h         |                  | 85               | 86 | 87 | 88 | 89 |
|          |                 | 26h         |                  | 90               | 91 | 92 | 93 | 94  |          |                 | 5Ah         |                  | 90               | 91 | 92 | 93 | 94 |
|          |                 | 27h         |                  | 95               | 96 | 97 | 98 | 99  |          |                 | 5Bh         |                  | 95               | 96 | 97 | 98 | 99 |
|          |                 | 28h         |                  | 0                | 1  | 2  | 3  | 4   |          |                 | 5Ch         |                  | 0                | 1  | 2  | 3  | 4  |
|          |                 | 29h         | 5                | 6                | 7  | 8  | 9  | 5Dh |          |                 | 5           | 6                | 7                | 8  | 9  |    |    |
|          |                 | 2Ah         | 10               | 11               | 12 | 13 | 14 | 5Eh |          |                 | 10          | 11               | 12               | 13 | 14 |    |    |
|          |                 | 2Bh         | 15               | 16               | 17 | 18 | 19 | 5Fh |          |                 | 15          | 16               | 17               | 18 | 19 |    |    |
|          |                 | 2Ch         | 20               | 21               | 22 | 23 | 24 | 60h |          |                 | 20          | 21               | 22               | 23 | 24 |    |    |
|          |                 | 2Dh         | 25               | 26               | 27 | 28 | 29 | 61h |          |                 | 25          | 26               | 27               | 28 | 29 |    |    |
|          |                 | 2Eh         | 30               | 31               | 32 | 33 | 34 | 62h |          |                 | 30          | 31               | 32               | 33 | 34 |    |    |
|          |                 | 2Fh         | 35               | 36               | 37 | 38 | 39 | 63h |          |                 | 35          | 36               | 37               | 38 | 39 |    |    |
|          |                 | 30h         | 40               | 41               | 42 | 43 | 44 | 64h |          |                 | 40          | 41               | 42               | 43 | 44 |    |    |
|          |                 | 31h         | 2                | 45               | 46 | 47 | 48 | 49  |          |                 | 65h         | 11               | 45               | 46 | 47 | 48 | 49 |
|          |                 | 32h         |                  | 50               | 51 | 52 | 53 | 54  |          |                 | 66h         |                  | 50               | 51 | 52 | 53 | 54 |
|          |                 | 33h         |                  | 55               | 56 | 57 | 58 | 59  |          |                 | 67h         |                  | 55               | 56 | 57 | 58 | 59 |
|          |                 | 34h         |                  | 60               | 61 | 62 | 63 | 64  |          |                 | 68h         |                  | 60               | 61 | 62 | 63 | 64 |
|          |                 | 35h         |                  | 65               | 66 | 67 | 68 | 69  |          |                 | 69h         |                  | 65               | 66 | 67 | 68 | 69 |
|          |                 | 36h         |                  | 70               | 71 | 72 | 73 | 74  |          |                 | 6Ah         |                  | 70               | 71 | 72 | 73 | 74 |
|          |                 | 37h         |                  | 75               | 76 | 77 | 78 | 79  |          |                 | 6Bh         |                  | 75               | 76 | 77 | 78 | 79 |
|          |                 | 38h         |                  | 80               | 81 | 82 | 83 | 84  |          |                 | 6Ch         |                  | 80               | 81 | 82 | 83 | 84 |
|          |                 | 39h         |                  | 85               | 86 | 87 | 88 | 89  |          |                 | 6Dh         |                  | 85               | 86 | 87 | 88 | 89 |
|          |                 | 3Ah         |                  | 90               | 91 | 92 | 93 | 94  |          |                 | 6Eh         |                  | 90               | 91 | 92 | 93 | 94 |
|          |                 | 3Bh         | 95               | 96               | 97 | 98 | 99 | 6Fh |          |                 | 95          | 96               | 97               | 98 | 99 |    |    |
|          |                 | 3Ch         | 3                | 0                | 1  | 2  | 3  | 4   |          |                 | 70h         | 12               | 0                | 1  | 2  | 3  | 4  |
|          |                 | 3Dh         |                  | 5                | 6  | 7  | 8  | 9   |          |                 | 71h         |                  | 5                | 6  | 7  | 8  | 9  |
|          |                 | 3Eh         |                  | 10               | 11 | 12 | 13 | 14  |          |                 | 72h         |                  | 10               | 11 | 12 | 13 | 14 |
|          |                 | 3Fh         |                  | 15               | 16 | 17 | 18 | 19  |          |                 | 73h         |                  | 15               | 16 | 17 | 18 | 19 |
|          |                 | 40h         |                  | 20               | 21 | 22 | 23 | 24  |          |                 | 74h         |                  | 20               | 21 | 22 | 23 | 24 |
|          |                 | 41h         |                  | 25               | 26 | 27 | 28 | 29  |          |                 | 75h         |                  | 25               | 26 | 27 | 28 | 29 |
|          |                 | 42h         |                  | 30               | 31 | 32 | 33 | 34  |          |                 | 76h         |                  | 30               | 31 | 32 | 33 | 34 |
|          |                 | 43h         |                  | 35               | 36 | 37 | 38 | 39  |          |                 | 77h         |                  | 35               | 36 | 37 | 38 | 39 |
|          |                 | 44h         |                  | 40               | 41 | 42 | 43 | 44  |          |                 | 78h         |                  | 40               | 41 | 42 | 43 | 44 |
|          |                 | 45h         |                  | 45               | 46 | 47 | 48 | 49  |          |                 | 79h         |                  | 45               | 46 | 47 | 48 | 49 |
|          |                 | 46h         |                  | 50               | 51 | 52 | 53 | 54  |          |                 | 7Ah         |                  | 50               | 51 | 52 | 53 | 54 |
|          |                 | 47h         |                  | 55               | 56 | 57 | 58 | 59  |          |                 | 7Bh         |                  | 55               | 56 | 57 | 58 | 59 |
|          |                 | 48h         | 60               | 61               | 62 | 63 | 64 | 7Ch |          |                 | 60          | 61               | 62               | 63 | 64 |    |    |
|          |                 | 49h         | 65               | 66               | 67 | 68 | 69 | 7Dh |          |                 | 65          | 66               | 67               | 68 | 69 |    |    |

Table 31. Display RAM bitmap ...continued

| RAM bank | RAM bank select | RAM address | Row (Back-plane) | Column (segment) |    |    |     |     | RAM bank | RAM bank select | RAM address | Row (Back-plane) | Column (segment) |    |    |    |    |
|----------|-----------------|-------------|------------------|------------------|----|----|-----|-----|----------|-----------------|-------------|------------------|------------------|----|----|----|----|
|          |                 |             |                  | Bit              |    |    |     |     |          |                 |             |                  | Bit              |    |    |    |    |
|          | SMB[2:0]        | ADD[6:0]    |                  | 4                | 3  | 2  | 1   | 0   |          | SMB[2:0]        | ADD[6:0]    |                  | 4                | 3  | 2  | 1  | 0  |
| 1        | 001             | 4Ah         | 3                | 70               | 71 | 72 | 73  | 74  | 2        | 010             | 7Eh         | 12               | 70               | 71 | 72 | 73 | 74 |
|          |                 | 4Bh         |                  | 75               | 76 | 77 | 78  | 79  |          |                 | 7Fh         |                  | 75               | 76 | 77 | 78 | 79 |
|          |                 | 4Ch         |                  | 80               | 81 | 82 | 83  | 84  |          |                 | 0h          |                  | 80               | 81 | 82 | 83 | 84 |
|          |                 | 4Dh         |                  | 85               | 86 | 87 | 88  | 89  |          |                 | 1h          |                  | 85               | 86 | 87 | 88 | 89 |
|          |                 | 4Eh         |                  | 90               | 91 | 92 | 93  | 94  |          |                 | 2h          |                  | 90               | 91 | 92 | 93 | 94 |
|          |                 | 4Fh         |                  | 95               | 96 | 97 | 98  | 99  |          |                 | 3h          |                  | 95               | 96 | 97 | 98 | 99 |
|          |                 | 50h         | 4                | 0                | 1  | 2  | 3   | 4   | 3        | 011             | 4h          | 13               | 0                | 1  | 2  | 3  | 4  |
|          |                 | 51h         |                  | 5                | 6  | 7  | 8   | 9   |          |                 | 5h          |                  | 5                | 6  | 7  | 8  | 9  |
|          |                 | 52h         |                  | 10               | 11 | 12 | 13  | 14  |          |                 | 6h          |                  | 10               | 11 | 12 | 13 | 14 |
|          |                 | 53h         |                  | 15               | 16 | 17 | 18  | 19  |          |                 | 7h          |                  | 15               | 16 | 17 | 18 | 19 |
|          |                 | 54h         |                  | 20               | 21 | 22 | 23  | 24  |          |                 | 8h          |                  | 20               | 21 | 22 | 23 | 24 |
|          |                 | 55h         |                  | 25               | 26 | 27 | 28  | 29  |          |                 | 9h          |                  | 25               | 26 | 27 | 28 | 29 |
|          |                 | 56h         |                  | 30               | 31 | 32 | 33  | 34  |          |                 | Ah          |                  | 30               | 31 | 32 | 33 | 34 |
|          |                 | 57h         |                  | 35               | 36 | 37 | 38  | 39  |          |                 | Bh          |                  | 35               | 36 | 37 | 38 | 39 |
|          |                 | 58h         |                  | 40               | 41 | 42 | 43  | 44  |          |                 | Ch          |                  | 40               | 41 | 42 | 43 | 44 |
|          |                 | 59h         |                  | 45               | 46 | 47 | 48  | 49  |          |                 | Dh          |                  | 45               | 46 | 47 | 48 | 49 |
|          |                 | 5Ah         |                  | 50               | 51 | 52 | 53  | 54  |          |                 | Eh          |                  | 50               | 51 | 52 | 53 | 54 |
|          |                 | 5Bh         |                  | 55               | 56 | 57 | 58  | 59  |          |                 | Fh          |                  | 55               | 56 | 57 | 58 | 59 |
|          |                 | 5Ch         |                  | 60               | 61 | 62 | 63  | 64  |          |                 | 10h         |                  | 60               | 61 | 62 | 63 | 64 |
|          |                 | 5Dh         |                  | 65               | 66 | 67 | 68  | 69  |          |                 | 11h         |                  | 65               | 66 | 67 | 68 | 69 |
|          |                 | 5Eh         |                  | 70               | 71 | 72 | 73  | 74  |          |                 | 12h         |                  | 70               | 71 | 72 | 73 | 74 |
|          |                 | 5Fh         |                  | 75               | 76 | 77 | 78  | 79  |          |                 | 13h         |                  | 75               | 76 | 77 | 78 | 79 |
|          |                 | 60h         |                  | 80               | 81 | 82 | 83  | 84  |          |                 | 14h         |                  | 80               | 81 | 82 | 83 | 84 |
|          |                 | 61h         |                  | 85               | 86 | 87 | 88  | 89  |          |                 | 15h         |                  | 85               | 86 | 87 | 88 | 89 |
|          |                 | 62h         | 90               | 91               | 92 | 93 | 94  | 16h | 90       | 91              | 92          | 93               | 94               |    |    |    |    |
|          |                 | 63h         | 95               | 96               | 97 | 98 | 99  | 17h | 95       | 96              | 97          | 98               | 99               |    |    |    |    |
|          |                 | 64h         | 5                | 0                | 1  | 2  | 3   | 4   | 3        | 011             | 14          | 18h              | 0                | 1  | 2  | 3  | 4  |
|          |                 | 65h         |                  | 5                | 6  | 7  | 8   | 9   |          |                 |             | 19h              | 5                | 6  | 7  | 8  | 9  |
|          |                 | 66h         |                  | 10               | 11 | 12 | 13  | 14  |          |                 |             | 1Ah              | 10               | 11 | 12 | 13 | 14 |
|          |                 | 67h         |                  | 15               | 16 | 17 | 18  | 19  |          |                 |             | 1Bh              | 15               | 16 | 17 | 18 | 19 |
|          |                 | 68h         |                  | 20               | 21 | 22 | 23  | 24  |          |                 |             | 1Ch              | 20               | 21 | 22 | 23 | 24 |
|          |                 | 69h         |                  | 25               | 26 | 27 | 28  | 29  |          |                 |             | 1Dh              | 25               | 26 | 27 | 28 | 29 |
|          |                 | 6Ah         |                  | 30               | 31 | 32 | 33  | 34  |          |                 |             | 1Eh              | 30               | 31 | 32 | 33 | 34 |
|          |                 | 6Bh         |                  | 35               | 36 | 37 | 38  | 39  |          |                 |             | 1Fh              | 35               | 36 | 37 | 38 | 39 |
|          |                 | 6Ch         |                  | 40               | 41 | 42 | 43  | 44  |          |                 |             | 20h              | 40               | 41 | 42 | 43 | 44 |
|          |                 | 6Dh         |                  | 45               | 46 | 47 | 48  | 49  |          |                 |             | 21h              | 45               | 46 | 47 | 48 | 49 |
| 6Eh      | 50              | 51          |                  | 52               | 53 | 54 | 22h | 50  |          |                 |             | 51               | 52               | 53 | 54 |    |    |
| 6Fh      | 55              | 56          |                  | 57               | 58 | 59 | 23h | 55  |          |                 |             | 56               | 57               | 58 | 59 |    |    |

Table 31. Display RAM bitmap ...continued

| RAM bank | RAM bank select | RAM address | Row (Back-plane) | Column (segment) |    |     |    |     | RAM bank | RAM bank select | RAM address | Row (Back-plane) | Column (segment) |     |     |    |    |    |    |    |    |
|----------|-----------------|-------------|------------------|------------------|----|-----|----|-----|----------|-----------------|-------------|------------------|------------------|-----|-----|----|----|----|----|----|----|
|          |                 |             |                  | Bit              |    |     |    |     |          |                 |             |                  | Bit              |     |     |    |    |    |    |    |    |
|          |                 |             |                  | 4                | 3  | 2   | 1  | 0   |          |                 |             |                  | 4                | 3   | 2   | 1  | 0  |    |    |    |    |
| 1        | 001             | 70h         | 5                | 60               | 61 | 62  | 63 | 64  | 3        | 011             | 24h         | 14               | 60               | 61  | 62  | 63 | 64 |    |    |    |    |
|          |                 | 71h         |                  | 65               | 66 | 67  | 68 | 69  |          |                 | 25h         |                  | 65               | 66  | 67  | 68 | 69 |    |    |    |    |
|          |                 | 72h         |                  | 70               | 71 | 72  | 73 | 74  |          |                 | 26h         |                  | 70               | 71  | 72  | 73 | 74 |    |    |    |    |
|          |                 | 73h         |                  | 75               | 76 | 77  | 78 | 79  |          |                 | 27h         |                  | 75               | 76  | 77  | 78 | 79 |    |    |    |    |
|          |                 | 74h         |                  | 80               | 81 | 82  | 83 | 84  |          |                 | 28h         |                  | 80               | 81  | 82  | 83 | 84 |    |    |    |    |
|          |                 | 75h         | 85               | 86               | 87 | 88  | 89 | 29h |          |                 | 85          |                  | 86               | 87  | 88  | 89 |    |    |    |    |    |
|          |                 | 76h         | 90               | 91               | 92 | 93  | 94 | 2Ah |          |                 | 90          |                  | 91               | 92  | 93  | 94 |    |    |    |    |    |
|          |                 | 77h         | 95               | 96               | 97 | 98  | 99 | 2Bh |          |                 | 95          |                  | 96               | 97  | 98  | 99 |    |    |    |    |    |
|          |                 | 78h         | 0                | 1                | 2  | 3   | 4  | 2Ch |          |                 | 0           |                  | 1                | 2   | 3   | 4  |    |    |    |    |    |
|          |                 | 79h         | 5                | 6                | 7  | 8   | 9  | 2Dh |          |                 | 5           |                  | 6                | 7   | 8   | 9  |    |    |    |    |    |
|          |                 | 7Ah         | 10               | 11               | 12 | 13  | 14 | 2Eh |          |                 | 10          |                  | 11               | 12  | 13  | 14 |    |    |    |    |    |
|          |                 | 7Bh         | 15               | 16               | 17 | 18  | 19 | 2Fh |          |                 | 15          |                  | 16               | 17  | 18  | 19 |    |    |    |    |    |
|          |                 | 7Ch         | 20               | 21               | 22 | 23  | 24 | 30h |          |                 | 20          |                  | 21               | 22  | 23  | 24 |    |    |    |    |    |
|          |                 | 7Dh         | 25               | 26               | 27 | 28  | 29 | 31h |          |                 | 25          |                  | 26               | 27  | 28  | 29 |    |    |    |    |    |
|          |                 | 7Eh         | 30               | 31               | 32 | 33  | 34 | 32h |          |                 | 30          | 31               | 32               | 33  | 34  |    |    |    |    |    |    |
|          |                 | 7Fh         | 35               | 36               | 37 | 38  | 39 | 33h |          |                 | 35          | 36               | 37               | 38  | 39  |    |    |    |    |    |    |
|          |                 | 2           | 010              | 0h               | 6  | 40  | 41 | 42  |          |                 | 43          | 44               | 3                | 011 | 34h | 15 | 40 | 41 | 42 | 43 | 44 |
|          |                 |             |                  | 1h               |    | 45  | 46 | 47  |          |                 | 48          | 49               |                  |     | 35h |    | 45 | 46 | 47 | 48 | 49 |
| 2h       | 50              |             |                  | 51               |    | 52  | 53 | 54  | 36h      | 50              | 51          | 52               |                  |     | 53  |    | 54 |    |    |    |    |
| 3h       | 55              |             |                  | 56               |    | 57  | 58 | 59  | 37h      | 55              | 56          | 57               |                  |     | 58  |    | 59 |    |    |    |    |
| 4h       | 60              |             |                  | 61               |    | 62  | 63 | 64  | 38h      | 60              | 61          | 62               |                  |     | 63  |    | 64 |    |    |    |    |
| 5h       | 65              |             |                  | 66               |    | 67  | 68 | 69  | 39h      | 65              | 66          | 67               |                  |     | 68  |    | 69 |    |    |    |    |
| 6h       | 70              |             |                  | 71               |    | 72  | 73 | 74  | 3Ah      | 70              | 71          | 72               |                  |     | 73  |    | 74 |    |    |    |    |
| 7h       | 75              |             |                  | 76               | 77 | 78  | 79 | 3Bh | 75       | 76              | 77          | 78               |                  |     | 79  |    |    |    |    |    |    |
| 8h       | 80              |             |                  | 81               | 82 | 83  | 84 | 3Ch | 80       | 81              | 82          | 83               |                  |     | 84  |    |    |    |    |    |    |
| 9h       | 85              |             |                  | 86               | 87 | 88  | 89 | 3Dh | 85       | 86              | 87          | 88               |                  |     | 89  |    |    |    |    |    |    |
| Ah       | 90              |             |                  | 91               | 92 | 93  | 94 | 3Eh | 90       | 91              | 92          | 93               |                  |     | 94  |    |    |    |    |    |    |
| Bh       | 95              |             |                  | 96               | 97 | 98  | 99 | 3Fh | 95       | 96              | 97          | 98               |                  |     | 99  |    |    |    |    |    |    |
| Ch       | 0               |             |                  | 1                | 2  | 3   | 4  | 40h | 0        | 1               | 2           | 3                |                  |     | 4   |    |    |    |    |    |    |
| Dh       | 5               |             |                  | 6                | 7  | 8   | 9  | 41h | 5        | 6               | 7           | 8                |                  |     | 9   |    |    |    |    |    |    |
| Eh       | 10              |             |                  | 11               | 12 | 13  | 14 | 42h | 10       | 11              | 12          | 13               |                  |     | 14  |    |    |    |    |    |    |
| Fh       | 15              |             |                  | 16               | 17 | 18  | 19 | 43h | 15       | 16              | 17          | 18               |                  |     | 19  |    |    |    |    |    |    |
| 10h      | 20              |             |                  | 21               | 22 | 23  | 24 | 44h | 20       | 21              | 22          | 23               |                  |     | 24  |    |    |    |    |    |    |
| 11h      | 25              |             |                  | 26               | 27 | 28  | 29 | 45h | 25       | 26              | 27          | 28               |                  |     | 29  |    |    |    |    |    |    |
| 12h      | 30              | 31          | 32               | 33               | 34 | 46h | 30 | 31  | 32       | 33              | 34          |                  |                  |     |     |    |    |    |    |    |    |
| 13h      | 35              | 36          | 37               | 38               | 39 | 47h | 35 | 36  | 37       | 38              | 39          |                  |                  |     |     |    |    |    |    |    |    |
| 14h      | 40              | 41          | 42               | 43               | 44 | 48h | 40 | 41  | 42       | 43              | 44          |                  |                  |     |     |    |    |    |    |    |    |
| 15h      | 45              | 46          | 47               | 48               | 49 | 49h | 45 | 46  | 47       | 48              | 49          |                  |                  |     |     |    |    |    |    |    |    |



Table 31. Display RAM bitmap ...continued

| RAM bank | RAM bank select | RAM address | Row (Back-plane) | Column (segment) |    |    |    |     | RAM bank | RAM bank select | RAM address | Row (Back-plane) | Column (segment) |    |    |    |    |
|----------|-----------------|-------------|------------------|------------------|----|----|----|-----|----------|-----------------|-------------|------------------|------------------|----|----|----|----|
|          |                 |             |                  | Bit              |    |    |    |     |          |                 |             |                  | Bit              |    |    |    |    |
|          |                 |             |                  | 4                | 3  | 2  | 1  | 0   |          |                 |             |                  | 4                | 3  | 2  | 1  | 0  |
| 2        | 010             | 16h         | 7                | 50               | 51 | 52 | 53 | 54  | 3        | 011             | 4Ah         | 16               | 50               | 51 | 52 | 53 | 54 |
|          |                 | 17h         |                  | 55               | 56 | 57 | 58 | 59  |          |                 | 4Bh         |                  | 55               | 56 | 57 | 58 | 59 |
|          |                 | 18h         |                  | 60               | 61 | 62 | 63 | 64  |          |                 | 4Ch         |                  | 60               | 61 | 62 | 63 | 64 |
|          |                 | 19h         |                  | 65               | 66 | 67 | 68 | 69  |          |                 | 4Dh         |                  | 65               | 66 | 67 | 68 | 69 |
|          |                 | 1Ah         |                  | 70               | 71 | 72 | 73 | 74  |          |                 | 4Eh         |                  | 70               | 71 | 72 | 73 | 74 |
|          |                 | 1Bh         |                  | 75               | 76 | 77 | 78 | 79  |          |                 | 4Fh         |                  | 75               | 76 | 77 | 78 | 79 |
|          |                 | 1Ch         |                  | 80               | 81 | 82 | 83 | 84  |          |                 | 50h         |                  | 80               | 81 | 82 | 83 | 84 |
|          |                 | 1Dh         | 85               | 86               | 87 | 88 | 89 | 51h |          |                 | 85          |                  | 86               | 87 | 88 | 89 |    |
|          |                 | 1Eh         | 90               | 91               | 92 | 93 | 94 | 52h |          |                 | 90          |                  | 91               | 92 | 93 | 94 |    |
|          |                 | 1Fh         | 95               | 96               | 97 | 98 | 99 | 53h |          |                 | 95          |                  | 96               | 97 | 98 | 99 |    |
|          |                 | 20h         | 8                | 0                | 1  | 2  | 3  | 4   |          |                 | 54h         |                  | 0                | 1  | 2  | 3  | 4  |
|          |                 | 21h         |                  | 5                | 6  | 7  | 8  | 9   |          |                 | 55h         |                  | 5                | 6  | 7  | 8  | 9  |
|          |                 | 22h         |                  | 10               | 11 | 12 | 13 | 14  |          |                 | 56h         |                  | 10               | 11 | 12 | 13 | 14 |
|          |                 | 23h         |                  | 15               | 16 | 17 | 18 | 19  |          |                 | 57h         |                  | 15               | 16 | 17 | 18 | 19 |
|          |                 | 24h         |                  | 20               | 21 | 22 | 23 | 24  |          |                 | 58h         |                  | 20               | 21 | 22 | 23 | 24 |
|          |                 | 25h         |                  | 25               | 26 | 27 | 28 | 29  |          |                 | 59h         |                  | 25               | 26 | 27 | 28 | 29 |
|          |                 | 26h         |                  | 30               | 31 | 32 | 33 | 34  |          |                 | 5Ah         | 30               | 31               | 32 | 33 | 34 |    |
|          |                 | 27h         |                  | 35               | 36 | 37 | 38 | 39  |          |                 | 5Bh         | 35               | 36               | 37 | 38 | 39 |    |
|          |                 | 28h         |                  | 40               | 41 | 42 | 43 | 44  |          |                 | 5Ch         | 40               | 41               | 42 | 43 | 44 |    |
|          |                 | 29h         |                  | 45               | 46 | 47 | 48 | 49  |          |                 | 5Dh         | 45               | 46               | 47 | 48 | 49 |    |
|          |                 | 2Ah         |                  | 50               | 51 | 52 | 53 | 54  |          |                 | 5Eh         | 50               | 51               | 52 | 53 | 54 |    |
|          |                 | 2Bh         |                  | 55               | 56 | 57 | 58 | 59  |          |                 | 5Fh         | 55               | 56               | 57 | 58 | 59 |    |
|          |                 | 2Ch         |                  | 60               | 61 | 62 | 63 | 64  |          |                 | 60h         | 60               | 61               | 62 | 63 | 64 |    |
|          |                 | 2Dh         |                  | 65               | 66 | 67 | 68 | 69  |          |                 | 61h         | 65               | 66               | 67 | 68 | 69 |    |
|          |                 | 2Eh         |                  | 70               | 71 | 72 | 73 | 74  |          |                 | 62h         | 70               | 71               | 72 | 73 | 74 |    |
|          |                 | 2Fh         |                  | 75               | 76 | 77 | 78 | 79  |          |                 | 63h         | 75               | 76               | 77 | 78 | 79 |    |
|          |                 | 30h         |                  | 80               | 81 | 82 | 83 | 84  |          |                 | 64h         | 80               | 81               | 82 | 83 | 84 |    |
|          |                 | 31h         | 85               | 86               | 87 | 88 | 89 | 65h |          |                 | 85          | 86               | 87               | 88 | 89 |    |    |
|          |                 | 32h         | 90               | 91               | 92 | 93 | 94 | 66h |          |                 | 90          | 91               | 92               | 93 | 94 |    |    |
|          |                 | 33h         | 95               | 96               | 97 | 98 | 99 | 67h |          |                 | 95          | 96               | 97               | 98 | 99 |    |    |

In multiplexed LCD applications, the data of each row of the display RAM is time-multiplexed with the corresponding backplane (row 0 with COM0, row 1 with COM1, and so on).

Two multiplex drive modes are available:

- 1:18 multiplex drive mode
  - GMX = 0 (default value, see [Table 12](#))
  - pins COM0 to COM17 are active

- 1:12 multiplex drive mode
  - GMX = 1 (default value, see [Table 12](#))
  - pins COM0 to COM12 are active

#### 8.5.2.1 Display RAM addressing

For addressing the display RAM the following steps have to be taken:

- Select the display RAM bank (SMB[2:0]) with the Sel\_mem\_bank command (see [Section 8.1.1.8](#))
- Set the requested address counter (ADD[6:0]) with the Set\_mem\_addr command (see [Section 8.1.1.9](#))
- Write data to the display RAM with the Write\_data command (WD[4:0]) (see [Section 8.1.1.11](#))
- Read the data from the display RAM with the Read\_data command (RD[4:0]) (see [Section 8.1.1.10](#))

#### 8.5.3 General-purpose RAM

The PCA8539 has two general-purpose RAM. The access to the RAM is controlled by the Sel\_mem\_bank command (SMB[2:0]) (see [Table 13](#)). General-purpose RAM 1 has the size of 640 bit (80 × 8) and general-purpose RAM 2 of 400 bit (80 × 5).

##### 8.5.3.1 General-purpose RAM addressing

For addressing the general-purpose RAM the following steps have to be taken:

- Select the general-purpose RAM (SMB[2:0]) with the Sel\_mem\_bank command (see [Section 8.1.1.8](#))
- Set the requested address counter (ADD[6:0]) with the Set\_mem\_addr command (see [Section 8.1.1.9](#))
- Write data to the general-purpose RAM with the Write\_data command (WD[7:0] or WD[4:0]) (see [Section 8.1.1.11](#))
- Read the data from the general-purpose RAM with the Read\_data command (RD[7:0] or RD[4:0]) (see [Section 8.1.1.10](#))

## 9. Bus interfaces

### 9.1 Control byte and register selection

After initiating the communication over the bus and sending the slave address (I<sup>2</sup>C-bus, see [Section 9.2](#)) or subaddress (SPI-bus, see [Section 9.3](#)), a control byte follows. The purpose of this byte is to indicate both, the content for the following data bytes (RAM or command) and to indicate that more control bytes will follow.

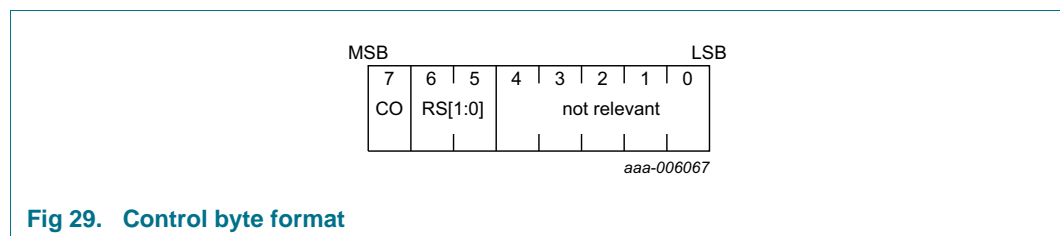
Typical sequences could be:

- Slave address/subaddress - control byte - command byte - command byte - command byte - end
- Slave address/subaddress - control byte - RAM byte - RAM byte - RAM byte - end
- Slave address/subaddress - control byte - command byte - control byte - RAM byte - end

This allows sending a mixture of RAM and command data in one access or alternatively, to send just one type of data in one access. In this way, it is possible to configure the device and then fill the display RAM with little overhead. The display bytes are stored in the display RAM at the address specified by the data pointer.

**Table 32. Control byte description**

| Bit    | Symbol  | Value      | Description               |
|--------|---------|------------|---------------------------|
| 7      | CO      |            | <b>continue bit</b>       |
|        |         | 0          | last control byte         |
|        |         | 1          | control bytes continue    |
| 6 to 5 | RS[1:0] |            | <b>register selection</b> |
|        |         | 00, 10, 11 | command register          |
|        |         | 01         | RAM data                  |
| 4 to 0 | -       | -          | unused                    |



**Fig 29. Control byte format**

## 9.2 I<sup>2</sup>C interface

The I<sup>2</sup>C-bus is for bidirectional, two-line communication between different ICs or modules. The two lines are a Serial Data line (SDA) and a Serial CLock line (SCL). Both lines must be connected to a positive supply via a pull-up resistor when connected to the output stages of a device. Data transfer may be initiated only when the bus is not busy.

In Chip-On-Glass (COG) applications, where the track resistance between the SDA output pin to the system SDA input line can be significant, the bus pull-up resistor and the Indium Tin Oxide (ITO) track resistance may generate a voltage divider. As a consequence it may be possible that the acknowledge cycle, generated by the LCD driver, cannot be interpreted as logic 0 by the master. Therefore it is an advantage for COG applications to have the acknowledge output separated from the data line. For that reason, the SDA line of the PCA8539 is split into SDAIN and SDAOUT.

In COG applications where the acknowledge cycle is required, it is necessary to minimize the track resistance from the SDAOUT pin to the system SDAIN line to guarantee a valid LOW level.

By splitting the SDA line into SDAIN and SDAOUT (having the SDAOUT open circuit), the device could be used in a mode that ignores the acknowledge cycle. Separating the acknowledge output from the serial data line can avoid design efforts to generate a valid acknowledge level. However, in that case the I<sup>2</sup>C-bus master has to be set up in such a way that it ignores the acknowledge cycle.<sup>2</sup>

By connecting pin SDAOUT to pin SDAIN the SDAIN line becomes fully I<sup>2</sup>C-bus compatible (see [Figure 30](#)). The following definition assumes that SDAIN and SDAOUT are connected and refers to the pair as SDA.

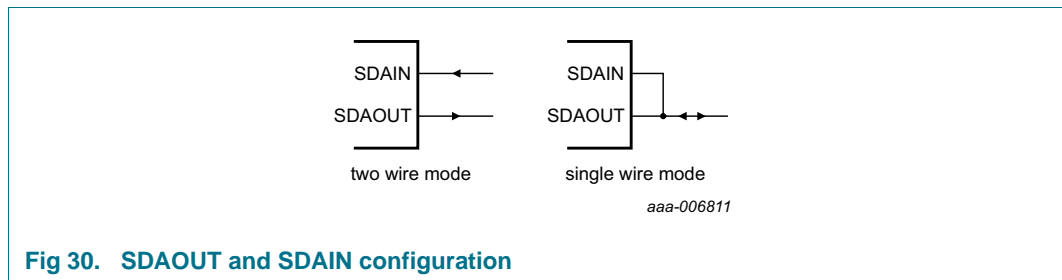
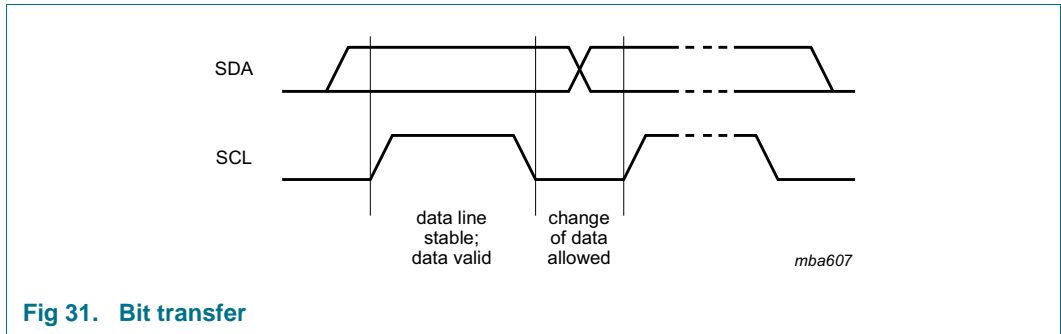


Fig 30. SDAOUT and SDAIN configuration

### 9.2.1 Bit transfer

One data bit is transferred during each clock pulse. The data on the SDA line must remain stable during the HIGH period of the clock pulse as changes in the data line at this time are interpreted as a control signal (see [Figure 31](#)).

2. For further information, consider the NXP application note: [Ref. 1 "AN10170"](#).



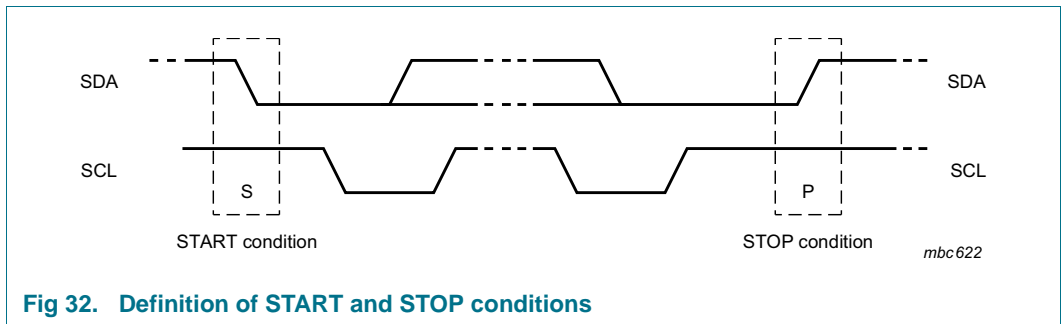
**9.2.2 START and STOP conditions**

Both data and clock lines remain HIGH when the bus is not busy.

A HIGH-to-LOW change of the data line, while the clock is HIGH is defined as the START condition (S).

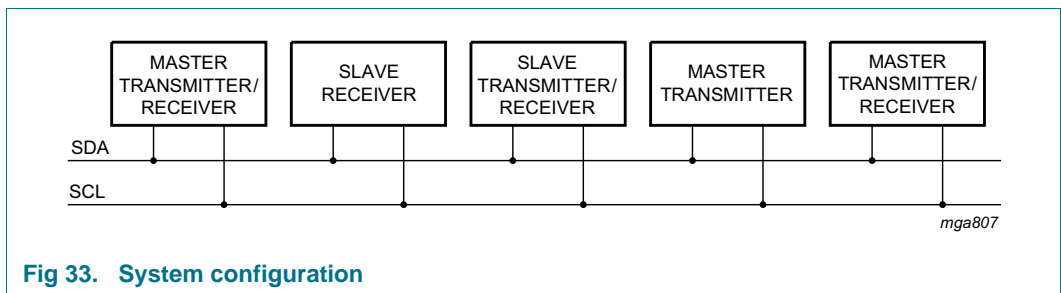
A LOW-to-HIGH change of the data line while the clock is HIGH is defined as the STOP condition (P).

The START and STOP conditions are shown in [Figure 32](#).



**9.2.3 System configuration**

A device generating a message is a transmitter; a device receiving a message is the receiver. The device that controls the message is the master; and the devices which are controlled by the master are the slaves. The system configuration is shown in [Figure 33](#).

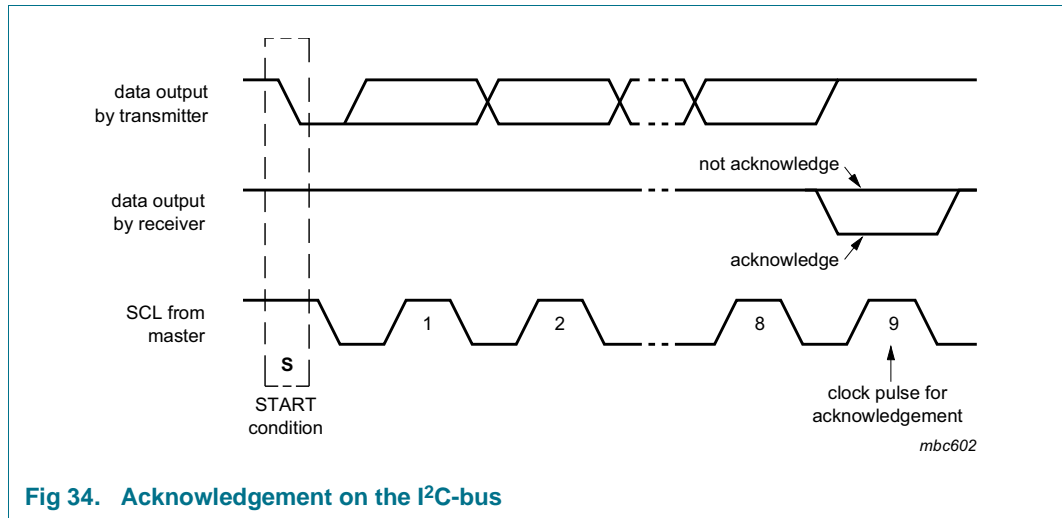


**9.2.4 Acknowledge**

The number of data bytes transferred between the START and STOP conditions from transmitter to receiver is unlimited. Each byte of 8 bits is followed by an acknowledge cycle.

- A slave receiver which is addressed must generate an acknowledge after the reception of each byte.
- Also a master receiver must generate an acknowledge after the reception of each byte that has been clocked out of the slave transmitter.
- The device that acknowledges must pull-down the SDA line during the acknowledge clock pulse, so that the SDA line is stable LOW during the HIGH period of the acknowledge related clock pulse (set-up and hold times must be considered).
- A master receiver must signal an end of data to the transmitter by not generating an acknowledge on the last byte that has been clocked out of the slave. In this event, the transmitter must leave the data line HIGH to enable the master to generate a STOP condition.

Acknowledgement on the I<sup>2</sup>C-bus is shown in [Figure 34](#).



### 9.2.5 I<sup>2</sup>C-bus controller

The PCA8539 acts as an I<sup>2</sup>C-bus slave. It does not initiate I<sup>2</sup>C-bus transfers.

### 9.2.6 Input filters

To enhance noise immunity in electrically adverse environments, RC low-pass filters are provided on the SDA and SCL lines.

### 9.2.7 I<sup>2</sup>C-bus slave address

Device selection depends on the I<sup>2</sup>C-bus slave address.

Two different I<sup>2</sup>C-bus slave addresses can be used to address the PCA8539 (see [Table 33](#)).

**Table 33. I<sup>2</sup>C slave address byte**

| Bit           | Slave address |   |   |   |   |   |     | 0<br>LSB |
|---------------|---------------|---|---|---|---|---|-----|----------|
|               | 7<br>MSB      | 6 | 5 | 4 | 3 | 2 | 1   |          |
| slave address | 0             | 1 | 1 | 1 | 0 | 1 | SA0 | R/W      |

The least significant bit of the slave address byte is bit R/W (see [Table 34](#)).

Table 34.  $\overline{R/W}$ -bit description

| R/W | Description |
|-----|-------------|
| 0   | write data  |
| 1   | read data   |

Bit 1 of the slave address is defined by connecting the input SA0 to either  $V_{SS1}$  (logic 0) or  $V_{DD1}$  (logic 1). Therefore, two instances of PCA8539 can be distinguished on the same I<sup>2</sup>C-bus.

### 9.2.8 I<sup>2</sup>C-bus protocol

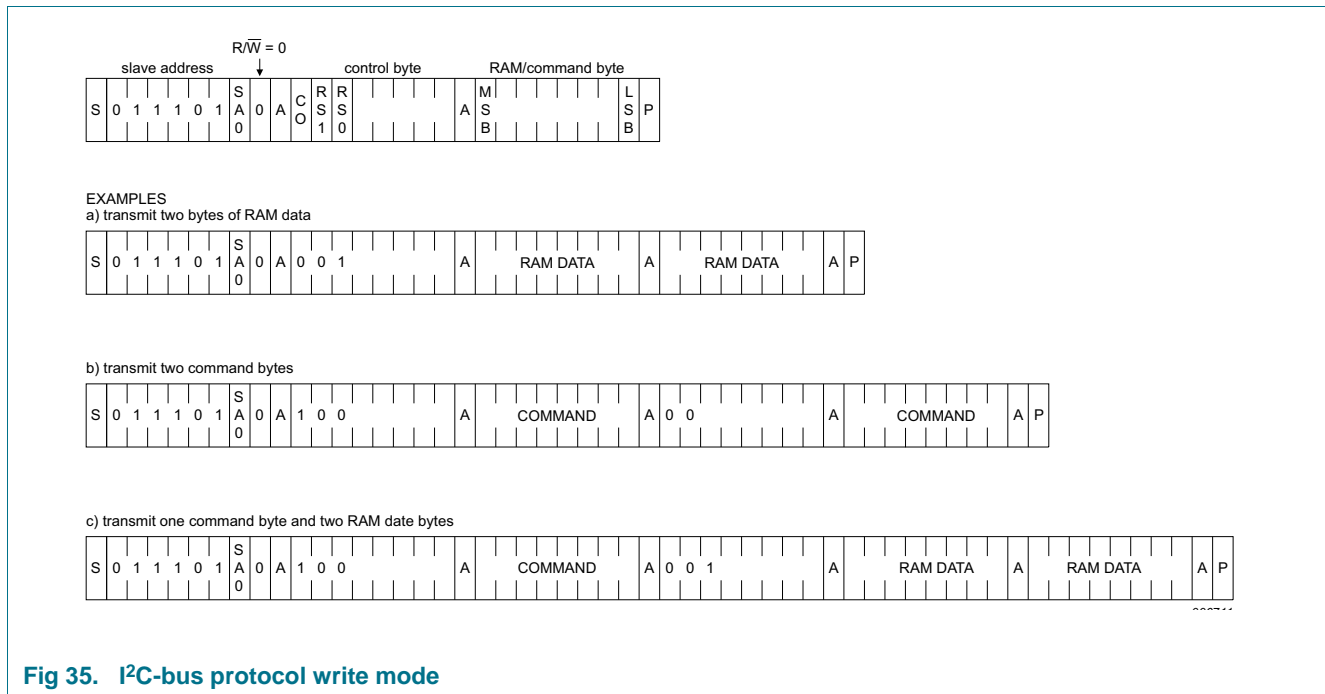


Fig 35. I<sup>2</sup>C-bus protocol write mode

The I<sup>2</sup>C-bus protocol is shown in [Figure 35](#). The sequence is initiated with a START condition (S) from the I<sup>2</sup>C-bus master which is followed by one of the two slave addresses available. All PCA8539 with the corresponding SA0 level acknowledge in parallel to the slave address, but all PCA8539 with the alternative SA0 level ignore the whole I<sup>2</sup>C-bus transfer.

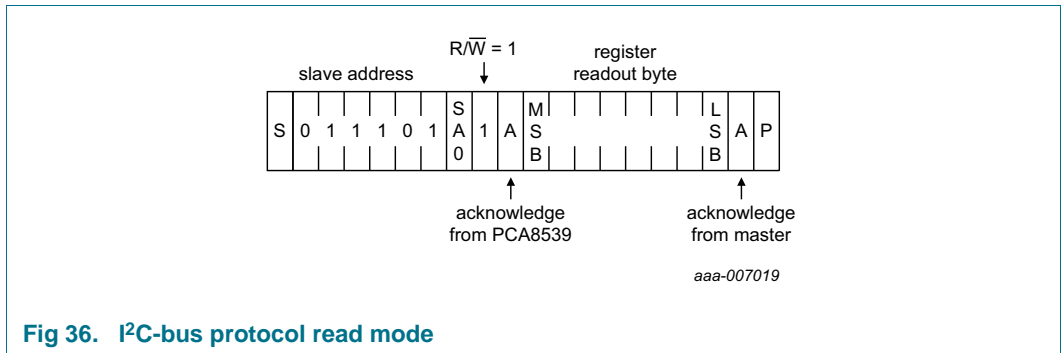
After acknowledgement, a control byte (see [Section 9.1](#)) follows which defines if the next byte is RAM or command information. The control byte also defines if the next byte is a control byte or further RAM or command data.

In this way, it is possible to configure the device and then fill the display RAM with little overhead.

The display bytes are stored in the display RAM at the address specified by the data pointer.

The acknowledgement after each byte is made only by the addressed PCA8539. After the last display byte, the I<sup>2</sup>C-bus master issues a STOP condition (P). Alternatively a START may be issued to RESTART an I<sup>2</sup>C-bus access.

If a register readout is made, the  $R/\overline{W}$  bit must be logic 1 and then the next data byte following is provided by the PCA8539 as shown in [Figure 36](#).





### 9.3 SPI interface

Data transfer to the device is made via a four-line SPI-bus (see [Table 35](#)). The SPI-bus is initialized whenever the chip enable line pin  $\overline{CE}$  is inactive.

**Table 35. Serial interface**

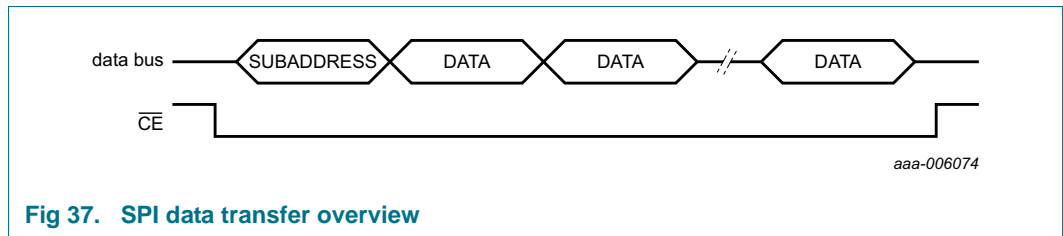
| Symbol          | Function                                     | Description   |
|-----------------|--|---|
| $\overline{CE}$ | chip enable input; active LOW <sup>[1]</sup> | when HIGH, the interface is reset   |
| SCL             | serial clock input                           | input may be higher than $V_{DD1}$  |
| SDI/SDAIN       | serial data input                            | input may be higher than $V_{DD1}$ ;<br>input data is sampled on the rising edge of SCL |
| SDO             | serial data output                           |   |

[1] The chip enable must not be wired permanently LOW.

#### 9.3.1 SPI-bus data transfer

The chip enable signal is used to identify the transmitted data. Each data transfer is a byte, with the MSB sent first.

The transmission is controlled by the active LOW chip enable signal  $\overline{CE}$ . The first byte transmitted is the subaddress byte.



**Fig 37. SPI data transfer overview**

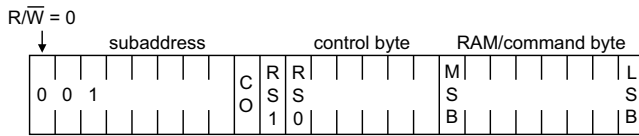
The subaddress byte opens the communication with a read/write bit and a subaddress. The subaddress is used to identify multiple devices on one SPI bus.

**Table 36. Subaddress byte definition**

| Bit    | Symbol           | Value | Description  |
|--------|------------------|-------|--|
| 7      | $R/\overline{W}$ |       | <b>data read or write selection</b>                                      |
|        |                  | 0     | write data   |
|        |                  | 1     | read data  |
| 6 to 5 | SA               | 01    | <b>Subaddress</b> ; other codes cause the device to ignore data transfer |
| 4 to 0 | -                |       | unused   |

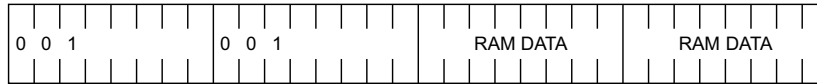
After the subaddress byte, a control byte follows (see [Section 9.1](#)). The purpose of this byte is to indicate the content for the following data bytes (RAM, command or control byte).

In this way, it is possible to send a mixture of RAM and command data in one access or alternatively, to send just one type of data in one access.



EXAMPLES

a) transmit two bytes of display RAM data



b) transmit two command bytes



Data transfers are terminated by de-asserting  $\overline{CE}$  (set  $\overline{CE}$  to logic 1).

Fig 38. SPI-bus write example

## 10. Internal circuitry

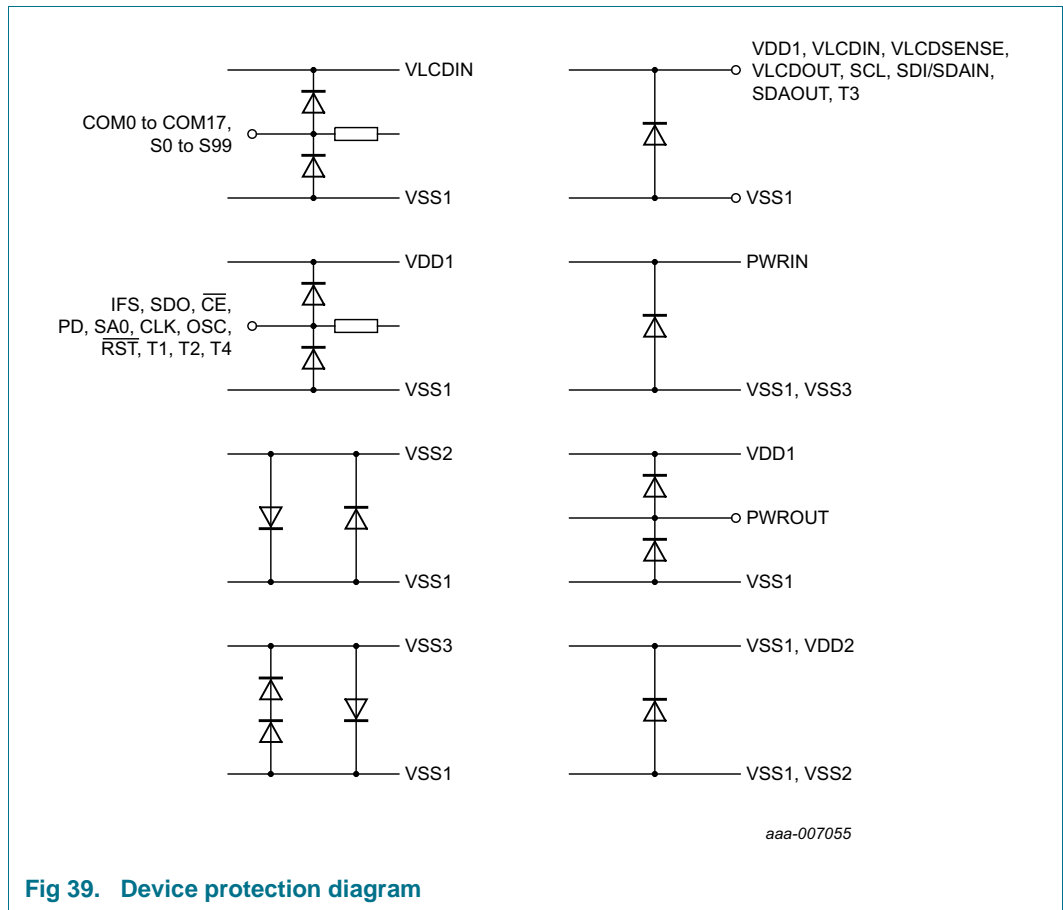


Fig 39. Device protection diagram

## 11. Safety notes

### CAUTION



This device is sensitive to ElectroStatic Discharge (ESD). Observe precautions for handling electrostatic sensitive devices.

Such precautions are described in the *ANSI/ESD S20.20*, *IEC/ST 61340-5*, *JESD625-A* or equivalent standards.

### CAUTION



Static voltages across the liquid crystal display can build up when the LCD supply voltage ( $V_{LCD}$ ) is on while the IC supply voltage ( $V_{DD}$ ) is off, or vice versa. This may cause unwanted display artifacts. To avoid such artifacts,  $V_{LCD}$  and  $V_{DD}$  must be applied or removed together.

### CAUTION



Semiconductors are light sensitive. Exposure to light sources can cause the IC to malfunction. The IC must be protected against light. The protection must be applied to all sides of the IC.

## 12. Limiting values

**Table 37. Limiting values**

In accordance with the Absolute Maximum Rating System (IEC 60134).

| Symbol               | Parameter                       | Conditions   | Min     | Max   | Unit |
|----------------------|---------------------------------|--|---------|-------|------|
| V <sub>DD1</sub>     | supply voltage 1                | analog and digital   | -0.5    | +6.5  | V    |
| V <sub>DD2</sub>     | supply voltage 2                | charge pump  | -0.5    | +6.5  | V    |
| I <sub>DD1</sub>     | supply current 1                | analog and digital   | -50     | +50   | mA   |
| I <sub>DD2</sub>     | supply current 2                | charge pump  | -50     | +50   | mA   |
| V <sub>LCD</sub>     | LCD supply voltage              | external supply, input on pin VLCDIN   | -0.5    | +20   | V    |
| I <sub>DD(LCD)</sub> | LCD supply current              |  | -50     | +50   | mA   |
| V <sub>i</sub>       | input voltage                   | on pins CLK, OSC, $\overline{\text{RST}}$ , PD, IFS, SCL, SDI/SDAIN, SA0, $\overline{\text{CE}}$ | -0.5    | +6.5  | V    |
|                      |                                 | on pin VLCDSENSE   | -0.5    | +20   | V    |
| I <sub>i</sub>       | input current                   |  | -10     | +10   | mA   |
| V <sub>O</sub>       | output voltage                  | on pins S0 to S99, COM0 to COM17, VLCDOUT  | -0.5    | +20   | V    |
|                      |                                 | on pins SDO, SDAOUT, CLK   | -0.5    | +6.5  | V    |
| I <sub>O</sub>       | output current                  |  | -10     | +10   | mA   |
| I <sub>SS</sub>      | ground supply current           |  | -50     | +50   | mA   |
| P <sub>tot</sub>     | total power dissipation         |  | -       | 400   | mW   |
| P/out                | power dissipation per output    |  | -       | 100   | mW   |
| V <sub>ESD</sub>     | electrostatic discharge voltage | HBM  | [1] -   | ±3000 | V    |
| I <sub>IU</sub>      | latch-up current                |  | [2] -   | 100   | mA   |
| T <sub>stg</sub>     | storage temperature             |  | [3] -65 | +150  | °C   |
| T <sub>amb</sub>     | ambient temperature             | operating device   | -40     | +105  | °C   |

[1] Pass level; Human Body Model (HBM), according to [Ref. 8 "JESD22-A114"](#).

[2] Pass level; latch-up testing according to [Ref. 10 "JESD78"](#) at maximum ambient temperature (T<sub>amb(max)</sub>).

[3] According to the store and transport requirements (see [Ref. 13 "UM10569"](#)) the devices have to be stored at a temperature of +8 °C to +45 °C and a humidity of 25 % to 75 %.

### 13. Static characteristics

**Table 38. Static characteristics**

$V_{DD1}, V_{DD2} = 2.5\text{ V to }5.5\text{ V}; V_{SS1} = 0\text{ V}; V_{LCD} = 4.0\text{ V to }16.0\text{ V}; T_{amb} = -40\text{ }^{\circ}\text{C to }+105\text{ }^{\circ}\text{C};$  unless otherwise specified.

| Symbol          | Parameter                      | Conditions   | Min | Typ               | Max               | Unit          |
|-----------------|--------------------------------|--|-----|-------------------|-------------------|---------------|
| <b>Supplies</b> |                                |  |     |                   |                   |               |
| $V_{DD1}$       | supply voltage 1               |  | 2.5 | -                 | 5.5               | V             |
| $V_{DD2}$       | supply voltage 2               |  | 2.5 | -                 | 5.5               | V             |
| $V_{LCD}$       | LCD supply voltage             | $V_{LCD} \geq V_{DD2}$   |     |                   |                   |               |
|                 |                                | external supply, input on pin VLCDIN   | 4.0 | -                 | 16.0              | V             |
|                 |                                | internal supply, output on pin VLCDOUT   | 4.0 | -                 | 16.0              | V             |
| $I_{DD1}$       | supply current 1               | on pin $V_{DD1}$ ;<br>see <a href="#">Figure 40</a>  |     |                   |                   |               |
|                 |                                | default condition after power-on and Initialize command  | -   | 40 <sup>[1]</sup> | 59 <sup>[2]</sup> | $\mu\text{A}$ |
|                 |                                | display enabled;<br>internal clock   | -   | 95 <sup>[1]</sup> | -                 | $\mu\text{A}$ |
| $I_{DD2}$       | supply current 2               | on pin $V_{DD2}$   |     |                   |                   |               |
|                 |                                | default condition after power-on and Initialize command;<br>charge pump off  | -   | 0                 | -                 | $\mu\text{A}$ |
|                 |                                | $V_{DD2} = 5\text{ V};$<br>charge pump at<br>$V_{LCD} = 2 \times V_{DD2};$<br>$V_{LCD} = 8\text{ V};$<br>$C_{VLCD} = 100\text{ nF};$<br>display disabled;<br>see <a href="#">Figure 41</a>     | -   | 25                | -                 | $\mu\text{A}$ |
| $I_{DD(LCD)}$   | LCD supply current             | on pin VLCDIN;<br>external $V_{LCD} = 8\text{ V}$  |     |                   |                   |               |
|                 |                                | display disabled   | -   | 7                 | 12                | $\mu\text{A}$ |
|                 |                                | MUX 1:18;<br>$\frac{1}{4}$ bias;<br>$f_{fr} = 80\text{ Hz};$<br>all display elements on;<br>frame inversion mode;<br>display enabled;<br>no display attached;<br>see <a href="#">Figure 42</a> | -   | 70                | -                 | $\mu\text{A}$ |
| $I_{DD(pd)}$    | power-down mode supply current | on pin VDD1;<br>pin PD is HIGH;<br>$V_{DD1} = 5\text{ V};$<br>$T_{amb} = 25\text{ }^{\circ}\text{C}$   | -   | 2                 | -                 | $\mu\text{A}$ |

**Table 38. Static characteristics ...continued**

$V_{DD1}, V_{DD2} = 2.5\text{ V to }5.5\text{ V}; V_{SS1} = 0\text{ V}; V_{LCD} = 4.0\text{ V to }16.0\text{ V}; T_{amb} = -40\text{ }^{\circ}\text{C to }+105\text{ }^{\circ}\text{C};$  unless otherwise specified.

| Symbol   | Parameter                         | Conditions   | Min          | Typ | Max             | Unit               |
|--|-----------------------------------|--|--------------|-----|-----------------|--------------------|
| <b>Accuracy</b>  |                                   |  |              |     |                 |                    |
| $\Delta V_{LCD}$   | LCD voltage variation             | on pin VLCDOUT;<br>internal $V_{LCD}$ ;<br>$V_{LCD} = 8\text{ V};$<br>$T_{amb} = 25\text{ }^{\circ}\text{C};$<br>see <a href="#">Figure 43</a> | 7.9          | 8   | 8.1             | V                  |
| $\Delta f_{fr}$  | frame frequency variation         | internal clock;<br>$f_{fr} = 80\text{ Hz};$<br>$T_{amb} = 25\text{ }^{\circ}\text{C};$<br>see <a href="#">Figure 44</a>                        | 77           | 80  | 83              | Hz                 |
| $\Delta T_{meas}$  | measurement temperature variation | $T_{amb} = 25\text{ }^{\circ}\text{C}$   | 22           | 25  | 28              | $^{\circ}\text{C}$ |
| <b>Output resistance</b>                                 |                                   |  |              |     |                 |                    |
| $R_O$  | output resistance                 | on pin COM0 to COM17;<br>external $V_{LCD} = 8\text{ V}$   | -            | 1   | -               | $\text{k}\Omega$   |
|  |                                   | on pin S0 to S99;<br>external $V_{LCD} = 8\text{ V}$   | -            | 2.5 | -               | $\text{k}\Omega$   |
| <b>Logic</b>   |                                   |  |              |     |                 |                    |
| On pins CLK, OSC, PD, $\overline{\text{RST}}$ , IFS, SA0 |                                   |  |              |     |                 |                    |
| $V_{IL}$   | LOW-level input voltage           |  | -0.3         | -   | $0.3V_{DD1}$    | V                  |
| $V_{IH}$   | HIGH-level input voltage          |  | $0.7V_{DD1}$ | -   | $V_{DD1} + 0.3$ | V                  |
| $I_{LI}$   | input leakage current             | $V_I = V_{DD1}$ or $V_{SS1}$   | -            | 0   | -               | $\mu\text{A}$      |
| On pins CLK  |                                   |  |              |     |                 |                    |
| $V_{OH}$   | HIGH-level output voltage         |  | $0.8V_{DD1}$ | -   | $V_{DD1} + 0.3$ | V                  |
| $V_{OL}$   | LOW-level output voltage          |  | -0.3         | -   | $0.2V_{DD1}$    | V                  |
| $I_{OH}$   | HIGH-level output current         | output source current;<br>$V_{OH} = 4.6\text{ V};$<br>$V_{DD1} = 5\text{ V}$   | 1            | -   | -               | mA                 |
| $I_{OL}$   | LOW-level output current          | output sink current;<br>$V_{OL} = 0.4\text{ V};$<br>$V_{DD1} = 5\text{ V}$   | 1            | -   | -               | mA                 |
| $I_{LO}$   | output leakage current            | $V_O = V_{DD1}$ or $V_{SS1}$   | -            | 0   | -               | $\mu\text{A}$      |
| <b>I<sup>2</sup>C-bus</b>                                |                                   |  |              |     |                 |                    |
| On pins SCL, SDI/SDAIN                                   |                                   |  |              |     |                 |                    |
| $V_{IL}$   | LOW-level input voltage           |  | -0.3         | -   | $0.3V_{DD1}$    | V                  |
| $V_{IH}$   | HIGH-level input voltage          |  | $0.7V_{DD1}$ | -   | 5.5             | V                  |
| $I_{LI}$   | input leakage current             | $V_I = V_{DD1}$ or $V_{SS1}$   | -            | 0   | -               | $\mu\text{A}$      |

**Table 38. Static characteristics ...continued**

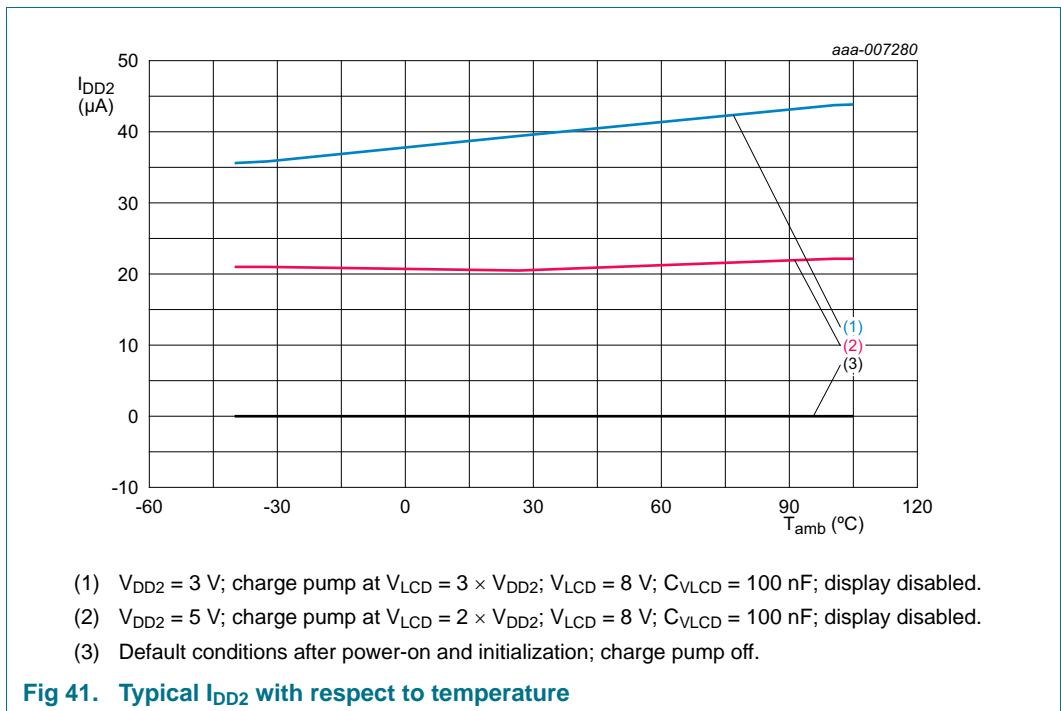
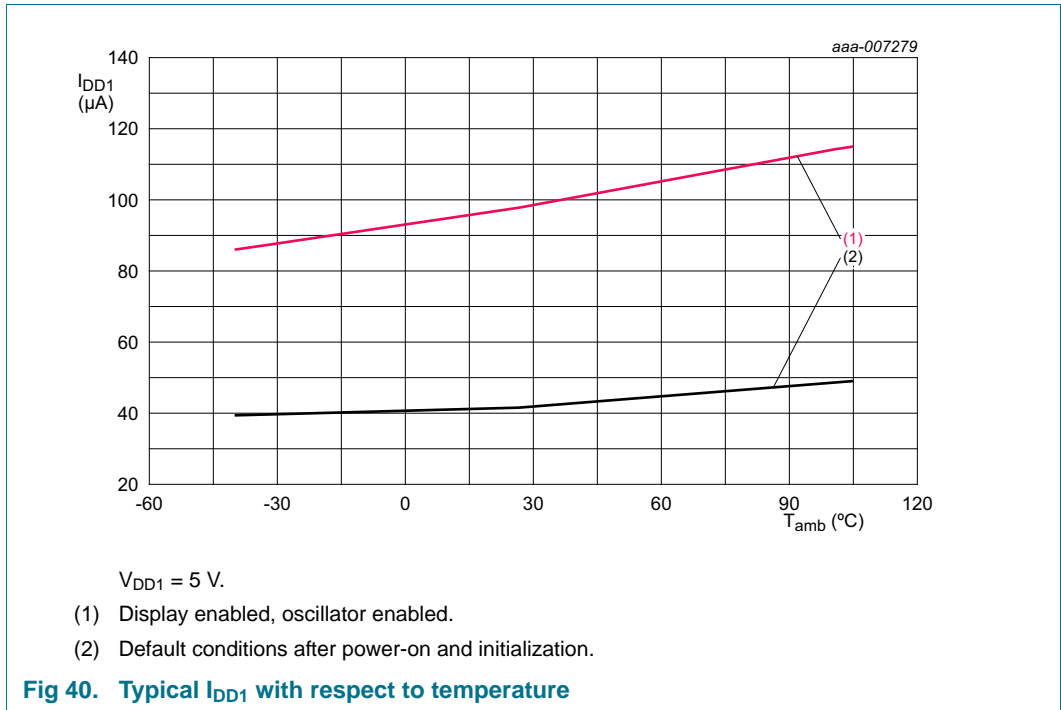
$V_{DD1}, V_{DD2} = 2.5\text{ V to }5.5\text{ V}; V_{SS1} = 0\text{ V}; V_{LCD} = 4.0\text{ V to }16.0\text{ V}; T_{amb} = -40\text{ }^{\circ}\text{C to }+105\text{ }^{\circ}\text{C};$  unless otherwise specified.

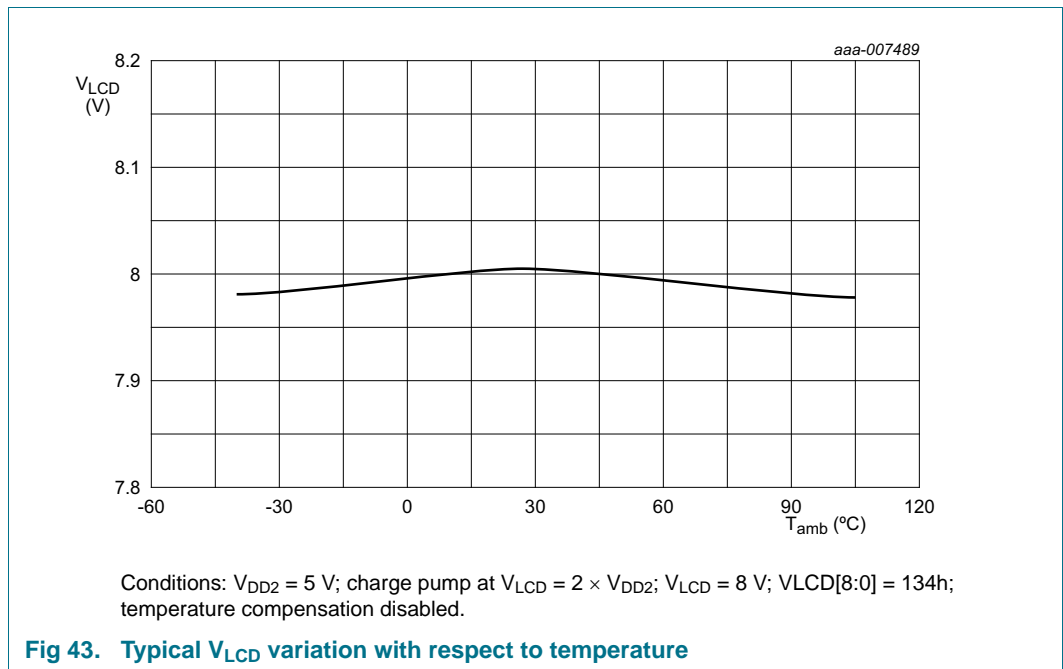
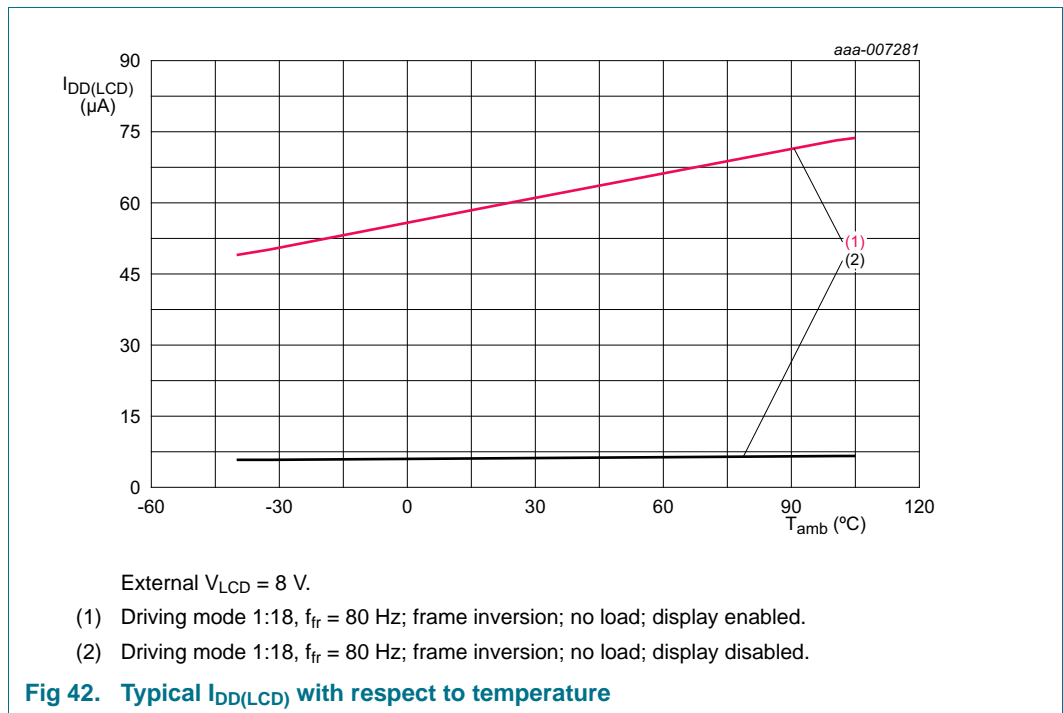
| Symbol   | Parameter                 | Conditions   | Min          | Typ | Max             | Unit          |
|--|---------------------------|--|--------------|-----|-----------------|---------------|
| <b>On pin SDAOUT</b>   |                           |  |              |     |                 |               |
| $V_O$  | output voltage            |  | -0.5         | -   | +5.5            | V             |
| $I_{OL}$   | LOW-level output current  | output sink current;<br>$V_{OL} = 0.4\text{ V}$                              | 6            | -   | -               | mA            |
| $I_{LI}$   | input leakage current     | $V_I = V_{DD1}$ or $V_{SS1}$   | -            | 0   | -               | $\mu\text{A}$ |
| $I_{LO}$   | output leakage current    | $V_O = V_{SS1}$  | -            | 0   | -               | $\mu\text{A}$ |
| <b>SPI-bus</b>   |                           |  |              |     |                 |               |
| <b>On pins SCL, SDI/SDAIN, <math>\overline{\text{CE}}</math></b> |                           |  |              |     |                 |               |
| $V_{IL}$   | LOW-level input voltage   |  | -0.3         | -   | $0.3V_{DD1}$    | V             |
| $V_{IH}$   | HIGH-level input voltage  |  | $0.7V_{DD1}$ | -   | $V_{DD1} + 0.3$ | V             |
| $I_{LI}$   | input leakage current     | $V_I = V_{DD1}$ or $V_{SS1}$   | -            | 0   | -               | $\mu\text{A}$ |
| <b>On pin SDO</b>  |                           |  |              |     |                 |               |
| $V_{OH}$   | HIGH-level output voltage |  | $0.8V_{DD1}$ | -   | $V_{DD1} + 0.3$ | V             |
| $V_{OL}$   | LOW-level output voltage  |  | -0.3         | -   | $0.2V_{DD1}$    | V             |
| $I_{OH}$   | HIGH-level output current | output source current;<br>$V_{OH} = 4.6\text{ V};$<br>$V_{DD1} = 5\text{ V}$ | 1            | -   | -               | mA            |
| $I_{OL}$   | LOW-level output current  | output sink current;<br>$V_{OL} = 0.4\text{ V};$<br>$V_{DD1} = 5\text{ V}$   | 1            | -   | -               | mA            |
| $I_{LO}$   | output leakage current    | $V_O = V_{DD1}$ or $V_{SS1}$   | -            | 0   | -               | $\mu\text{A}$ |

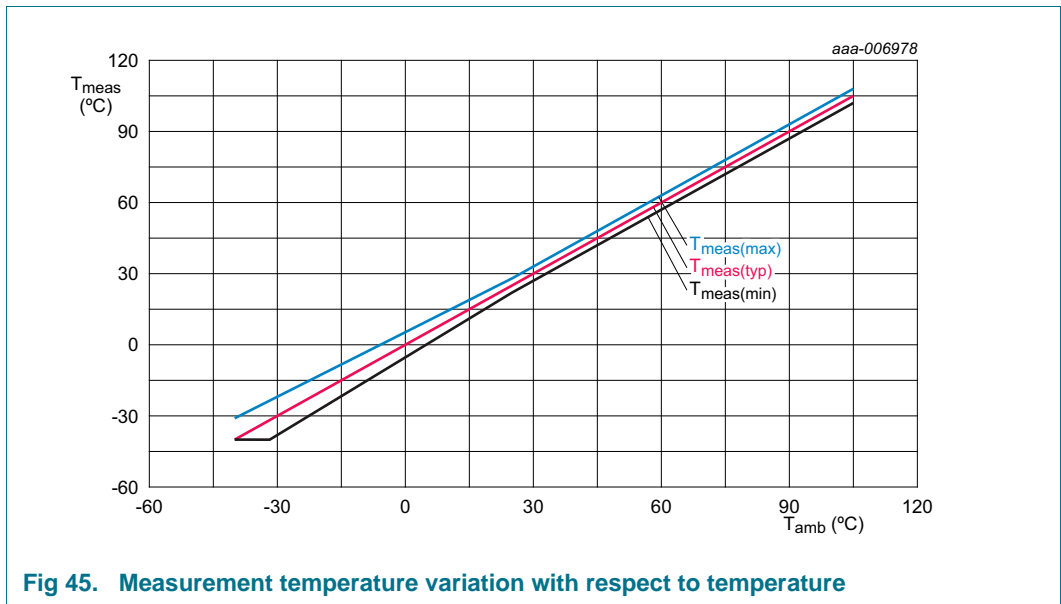
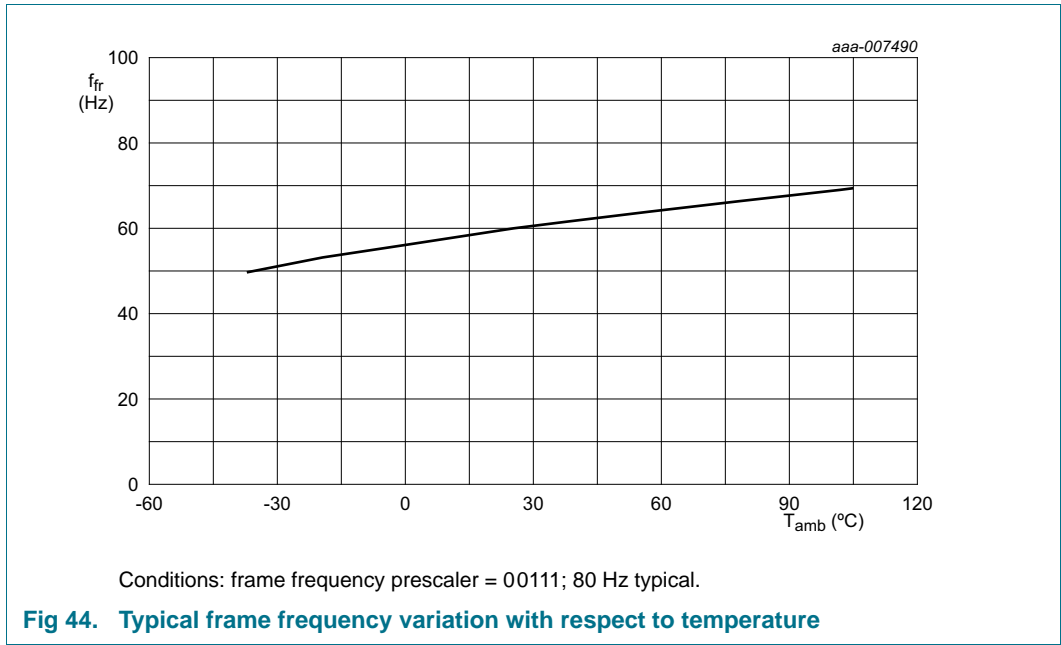
[1]  $V_{DD1} = 5\text{ V}; T_{amb} = 25\text{ }^{\circ}\text{C}.$

[2]  $V_{DD1} = 5.5\text{ V}; T_{amb} = 105\text{ }^{\circ}\text{C}.$









## 14. Dynamic characteristics

### 14.1 General timing characteristics

**Table 39. General dynamic characteristics**

$V_{DD1}, V_{DD2} = 2.5\text{ V to }5.5\text{ V}; V_{SS1} = 0\text{ V}; V_{LCD} = 4.0\text{ V to }16.0\text{ V}; T_{amb} = -40\text{ }^{\circ}\text{C to }+105\text{ }^{\circ}\text{C};$  unless otherwise specified.

| Symbol                | Parameter                | Conditions   | Min    | Typ    | Max     | Unit          |
|-----------------------|--------------------------|--|--------|--------|---------|---------------|
| $f_{\text{clk(int)}}$ | internal clock frequency | on pin CLK; $T_{amb} = 25\text{ }^{\circ}\text{C};$<br>FF[4:0] = 00111 | 61 600 | 64 000 | 66 400  | Hz            |
| $f_{\text{clk(ext)}}$ | external clock frequency | on pin CLK   | 36 000 | -      | 288 000 | Hz            |
| $t_{\text{clk(H)}}$   | HIGH-level clock time    | external clock source used   | 5      | -      | -       | $\mu\text{s}$ |
| $t_{\text{clk(L)}}$   | LOW-level clock time     |  | 5      | -      | -       | $\mu\text{s}$ |

### 14.2 I<sup>2</sup>C-bus timing characteristics

**Table 40. I<sup>2</sup>C-bus timing characteristics**

$V_{DD1}, V_{DD2} = 2.5\text{ V to }5.5\text{ V}; V_{SS1} = 0\text{ V}; V_{LCD} = 4.0\text{ V to }16.0\text{ V}; T_{amb} = -40\text{ }^{\circ}\text{C to }+105\text{ }^{\circ}\text{C};$  unless otherwise specified.<sup>[1]</sup>

| Symbol                 | Parameter  | Conditions                  | Min              | Typ | Max | Unit          |
|------------------------|--|-----------------------------|------------------|-----|-----|---------------|
| $f_{\text{SCL}}$       | SCL frequency                                    |                             | -                | -   | 400 | kHz           |
| $t_{\text{BUF}}$       | bus free time between a STOP and START condition |                             | 1.3              | -   | -   | $\mu\text{s}$ |
| $t_{\text{HD;STA}}$    | hold time (repeated) START condition             |                             | 0.6              | -   | -   | $\mu\text{s}$ |
| $t_{\text{SU;STA}}$    | set-up time for a repeated START condition       |                             | 0.6              | -   | -   | $\mu\text{s}$ |
| $t_{\text{VD;DAT}}$    | data valid time                                  |                             | <sup>[2]</sup> - | -   | 0.9 | $\mu\text{s}$ |
| $t_{\text{VD;ACK}}$    | data valid acknowledge time                      |                             | <sup>[3]</sup> - | -   | 0.9 | $\mu\text{s}$ |
| $t_{\text{LOW}}$       | LOW period of the SCL clock                      |                             | 1.3              | -   | -   | $\mu\text{s}$ |
| $t_{\text{HIGH}}$      | HIGH period of the SCL clock                     |                             | 0.6              | -   | -   | $\mu\text{s}$ |
| $t_f$                  | fall time  | of both SDA and SCL signals | -                | -   | 0.3 | $\mu\text{s}$ |
| $t_r$                  | rise time  | of both SDA and SCL signals | -                | -   | 0.3 | $\mu\text{s}$ |
| $C_b$                  | capacitive load for each bus line                |                             | -                | -   | 400 | pF            |
| $t_{\text{SU;DAT}}$    | data set-up time                                 |                             | 100              | -   | -   | ns            |
| $t_{\text{HD;DAT}}$    | data hold time                                   |                             | 0                | -   | -   | ns            |
| $t_{\text{SU;STO}}$    | set-up time for STOP condition                   |                             | 0.6              | -   | -   | $\mu\text{s}$ |
| $t_{\text{w(spikes)}}$ | spike pulse width                                |                             | -                | -   | 50  | ns            |

[1] All timing values are valid within the operating supply voltage and ambient temperature range and are referenced to  $V_{IL}$  and  $V_{IH}$  with an input voltage swing of  $V_{SS1}$  to  $V_{DD1}$ .

[2]  $t_{\text{VD;DAT}}$  = minimum time for valid SDA output following SCL LOW.

[3]  $t_{\text{VD;ACK}}$  = time for acknowledgement signal from SCL LOW to SDA output LOW.

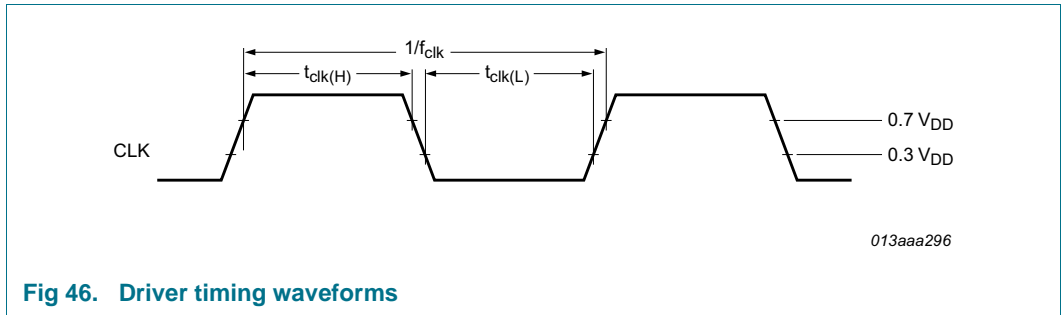


Fig 46. Driver timing waveforms

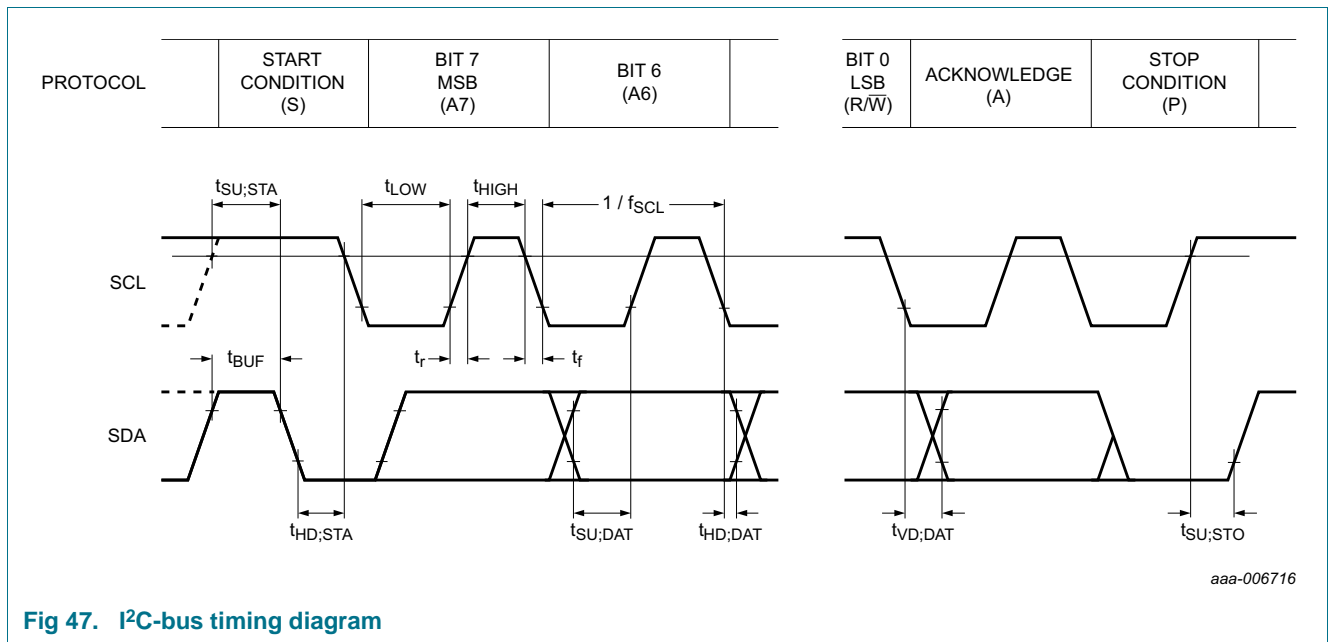


Fig 47. I<sup>2</sup>C-bus timing diagram

### 14.3 SPI-bus timing characteristics

Table 41. SPI-bus characteristics

V<sub>DD1</sub>, V<sub>DD2</sub> = 2.5 V to 5.5 V; V<sub>SS1</sub> = 0 V; V<sub>LCD</sub> = 4.0 V to 16.0 V; T<sub>amb</sub> = -40 °C to +105 °C; unless otherwise specified. All timing values are valid within the operating supply voltage at ambient temperature and referenced to V<sub>IL</sub> and V<sub>IH</sub> with an input voltage swing of V<sub>SS1</sub> to V<sub>DD1</sub> (see Figure 48).

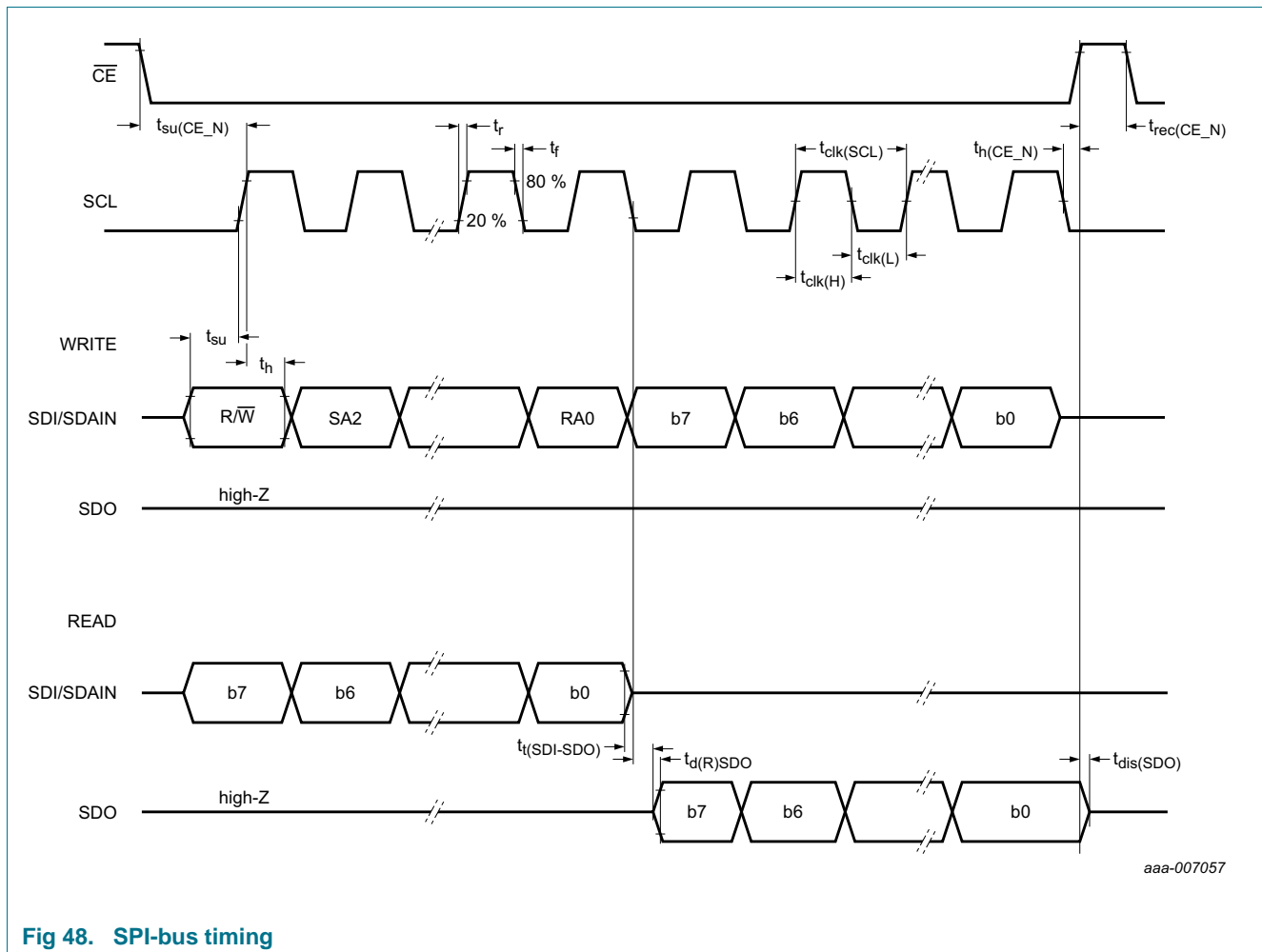
| Symbol                 | Parameter           | Conditions     | Min | Max | Unit |
|------------------------|---------------------|----------------|-----|-----|------|
| <b>Pin SCL</b>         |                     |                |     |     |      |
| f <sub>clk(SCL)</sub>  | SCL clock frequency |                | -   | 3.0 | MHz  |
| t <sub>SCL</sub>       | SCL time            |                | 333 | -   | ns   |
| t <sub>clk(H)</sub>    | clock HIGH time     |                | 100 | -   | ns   |
| t <sub>clk(L)</sub>    | clock LOW time      |                | 150 | -   | ns   |
| t <sub>r</sub>         | rise time           | for SCL signal | -   | 100 | ns   |
| t <sub>f</sub>         | fall time           | for SCL signal | -   | 100 | ns   |
| <b>Pin CE</b>          |                     |                |     |     |      |
| t <sub>su(CE_N)</sub>  | CE_N set-up time    |                | 30  | -   | ns   |
| t <sub>h(CE_N)</sub>   | CE_N hold time      |                | 30  | -   | ns   |
| t <sub>rec(CE_N)</sub> | CE_N recovery time  |                | 30  | -   | ns   |

**Table 41. SPI-bus characteristics ...continued**

$V_{DD1}, V_{DD2} = 2.5\text{ V to }5.5\text{ V}$ ;  $V_{SS1} = 0\text{ V}$ ;  $V_{LCD} = 4.0\text{ V to }16.0\text{ V}$ ;  $T_{amb} = -40\text{ }^{\circ}\text{C to }+105\text{ }^{\circ}\text{C}$ ; unless otherwise specified. All timing values are valid within the operating supply voltage at ambient temperature and referenced to  $V_{IL}$  and  $V_{IH}$  with an input voltage swing of  $V_{SS1}$  to  $V_{DD1}$  (see [Figure 48](#)).

| Symbol         | Parameter                       | Conditions               | Min | Max | Unit |
|----------------|---------------------------------|--------------------------|-----|-----|------|
| <b>Pin SDI</b> |                                 |                          |     |     |      |
| $t_{su}$       | set-up time                     | set-up time for SDI data | 30  | -   | ns   |
| $t_h$          | hold time                       | hold time for SDI data   | 30  | -   | ns   |
| <b>Pin SDO</b> |                                 |                          |     |     |      |
| $t_{d(R)SDO}$  | SDO read delay time             | $C_L = 100\text{ pF}$    | -   | 150 | ns   |
| $t_{dis(SDO)}$ | SDO disable time                | [1]                      | -   | 50  | ns   |
| $t_t(SDI-SDO)$ | transition time from SDI to SDO | to avoid bus conflict    | 0   | -   | ns   |

[1] No load value; bus is held up by bus capacitance; use RC time constant with application values.



**Fig 48. SPI-bus timing**

## 15. Test information

---

### 15.1 Quality information

This product has been qualified to the appropriate Automotive Electronics Council (AEC) standard Q100 or Q101 and is suitable for use in automotive applications.

16. Bare die outline

Bare die; 244 bumps

PCA8539DUG

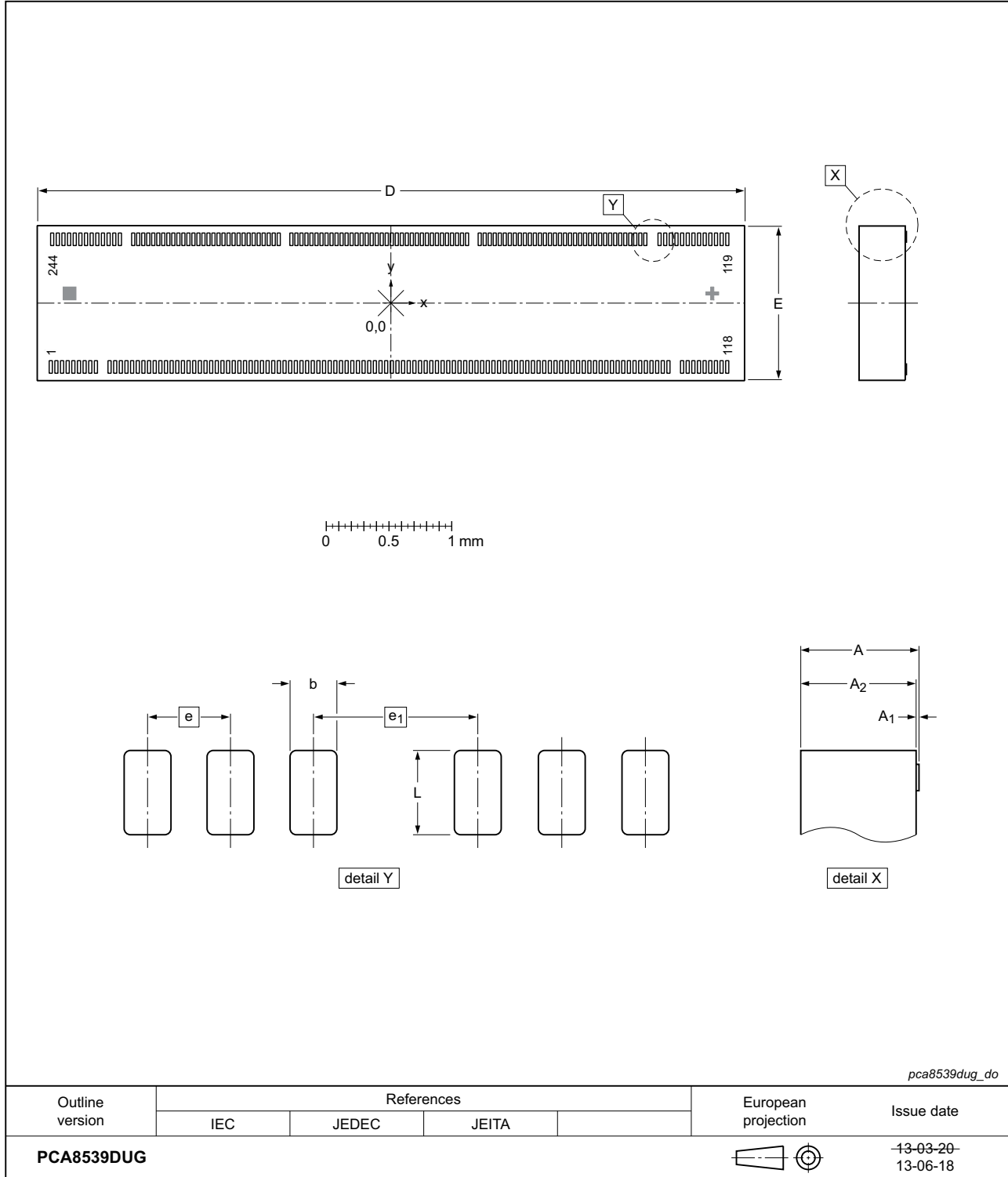


Fig 49. Bare die outline of PCA8539DUG



**Table 42. Dimensions of PCA8539DUG**

Original dimensions are in mm.

| Unit (mm) | A     | A <sub>1</sub> | A <sub>2</sub> | b     | D    | E    | e     | e <sub>1</sub> | L   |
|-----------|-------|----------------|----------------|-------|------|------|-------|----------------|-----|
| max       | -     | 0.018          | -              | -     | -    | -    | -     | -              | -   |
| nom       | 0.395 | 0.015          | 0.38           | 0.025 | 5.64 | 1.24 | 0.040 | 0.114          | 0.1 |
| min       | -     | 0.012          | -              | -     | -    | -    | -     | -              | -   |

**Table 43. Bump locations of PCA8539DUG**

All x/y coordinates represent the position of the center of each bump with respect to the center (x/y = 0) of the chip; see [Figure 49](#)

| Symbol    | Pin | Coordinates |        | Pitch  | Symbol | Pin | Coordinates |        | Pitch  |
|-----------|-----|-------------|--------|--------|--------|-----|-------------|--------|--------|
|           |     | X (µm)      | Y (µm) | X (µm) |        |     | X (µm)      | Y (µm) | X (µm) |
| COM13     | 1   | -2711.3     | -509.0 | -      | COM4   | 119 | 2681.5      | 509.0  | -      |
|           | 2   | -2666.3     | -509.0 | -45.0  |        | 120 | 2636.5      | 509.0  | 45.0   |
|           | 3   | -2621.3     | -509.0 | -45.0  |        | 121 | 2591.5      | 509.0  | 45.0   |
| COM14     | 4   | -2576.3     | -509.0 | -45.0  | COM3   | 122 | 2546.5      | 509.0  | 45.0   |
|           | 5   | -2531.3     | -509.0 | -45.0  |        | 123 | 2501.5      | 509.0  | 45.0   |
| COM15     | 6   | -2486.3     | -509.0 | -45.0  | COM2   | 124 | 2456.5      | 509.0  | 45.0   |
|           | 7   | -2441.3     | -509.0 | -45.0  |        | 125 | 2411.5      | 509.0  | 45.0   |
| COM16     | 8   | -2396.3     | -509.0 | -45.0  | COM1   | 126 | 2366.5      | 509.0  | 45.0   |
|           | 9   | -2351.3     | -509.0 | -45.0  |        | 127 | 2321.5      | 509.0  | 45.0   |
| VLCDIN    | 10  | -2242.7     | -509.0 | -108.6 | COM0   | 128 | 2276.5      | 509.0  | 45.0   |
|           | 11  | -2197.7     | -509.0 | -45.0  |        | 129 | 2231.5      | 509.0  | 45.0   |
|           | 12  | -2152.7     | -509.0 | -45.0  | COM17  | 130 | 2186.5      | 509.0  | 45.0   |
|           | 13  | -2107.7     | -509.0 | -45.0  |        | 131 | 2141.5      | 509.0  | 45.0   |
| VLCDSENSE | 14  | -2062.7     | -509.0 | -45.0  | S99    | 132 | 2027.9      | 509.0  | 113.6  |
|           | 15  | -2017.7     | -509.0 | -45.0  | S98    | 133 | 1987.9      | 509.0  | 40.0   |
|           | 16  | -1972.7     | -509.0 | -45.0  | S97    | 134 | 1947.9      | 509.0  | 40.0   |
| VLCDOUT   | 17  | -1927.7     | -509.0 | -45.0  | S96    | 135 | 1907.9      | 509.0  | 40.0   |
|           | 18  | -1882.7     | -509.0 | -45.0  | S95    | 136 | 1867.9      | 509.0  | 40.0   |
|           | 19  | -1837.7     | -509.0 | -45.0  | S94    | 137 | 1827.9      | 509.0  | 40.0   |
|           | 20  | -1792.7     | -509.0 | -45.0  | S93    | 138 | 1787.9      | 509.0  | 40.0   |
| VSS2      | 21  | -1747.7     | -509.0 | -45.0  | S92    | 139 | 1747.9      | 509.0  | 40.0   |
|           | 22  | -1702.7     | -509.0 | -45.0  | S91    | 140 | 1707.9      | 509.0  | 40.0   |
|           | 23  | -1657.7     | -509.0 | -45.0  | S90    | 141 | 1667.9      | 509.0  | 40.0   |
|           | 24  | -1612.7     | -509.0 | -45.0  | S89    | 142 | 1627.9      | 509.0  | 40.0   |
|           | 25  | -1567.7     | -509.0 | -45.0  | S88    | 143 | 1587.9      | 509.0  | 40.0   |
|           | 26  | -1522.7     | -509.0 | -45.0  | S87    | 144 | 1547.9      | 509.0  | 40.0   |
|           | 27  | -1477.7     | -509.0 | -45.0  | S86    | 145 | 1507.9      | 509.0  | 40.0   |
|           | 28  | -1432.7     | -509.0 | -45.0  | S85    | 146 | 1467.9      | 509.0  | 40.0   |
|           | 29  | -1387.7     | -509.0 | -45.0  | S84    | 147 | 1427.9      | 509.0  | 40.0   |
|           | 30  | -1342.7     | -509.0 | -45.0  | S83    | 148 | 1387.9      | 509.0  | 40.0   |

**Table 43. Bump locations of PCA8539DUG ...continued**

All x/y coordinates represent the position of the center of each bump with respect to the center (x/y = 0) of the chip; see [Figure 49](#)

| Symbol | Pin | Coordinates |        | Pitch  | Symbol | Pin | Coordinates |        | Pitch  |
|--------|-----|-------------|--------|--------|--------|-----|-------------|--------|--------|
|        |     | X (µm)      | Y (µm) | X (µm) |        |     | X (µm)      | Y (µm) | X (µm) |
| VSS3   | 31  | -1297.7     | -509.0 | -45.0  | S82    | 149 | 1347.9      | 509.0  | 40.0   |
|        | 32  | -1252.7     | -509.0 | -45.0  | S81    | 150 | 1307.9      | 509.0  | 40.0   |
|        | 33  | -1207.7     | -509.0 | -45.0  | S80    | 151 | 1267.9      | 509.0  | 40.0   |
|        | 34  | -1162.7     | -509.0 | -45.0  | S79    | 152 | 1227.9      | 509.0  | 40.0   |
| VSS1   | 35  | -1117.7     | -509.0 | -45.0  | S78    | 153 | 1187.9      | 509.0  | 40.0   |
|        | 36  | -1072.7     | -509.0 | -45.0  | S77    | 154 | 1147.9      | 509.0  | 40.0   |
|        | 37  | -1027.7     | -509.0 | -45.0  | S76    | 155 | 1107.9      | 509.0  | 40.0   |
|        | 38  | -982.7      | -509.0 | -45.0  | S75    | 156 | 1067.9      | 509.0  | 40.0   |
|        | 39  | -937.7      | -509.0 | -45.0  | S74    | 157 | 1027.9      | 509.0  | 40.0   |
|        | 40  | -892.7      | -509.0 | -45.0  | S73    | 158 | 987.9       | 509.0  | 40.0   |
|        | 41  | -847.7      | -509.0 | -45.0  | S72    | 159 | 947.9       | 509.0  | 40.0   |
|        | 42  | -802.7      | -509.0 | -45.0  | S71    | 160 | 907.9       | 509.0  | 40.0   |
|        | 43  | -757.7      | -509.0 | -45.0  | S70    | 161 | 867.9       | 509.0  | 40.0   |
|        | 44  | -712.7      | -509.0 | -45.0  | S69    | 162 | 827.9       | 509.0  | 40.0   |
|        | 45  | -667.7      | -509.0 | -45.0  | S68    | 163 | 787.9       | 509.0  | 40.0   |
|        | 46  | -622.7      | -509.0 | -45.0  | S67    | 164 | 747.9       | 509.0  | 40.0   |
|        | 47  | -577.7      | -509.0 | -45.0  | S66    | 165 | 707.9       | 509.0  | 40.0   |
|        | T1  | 48          | -532.7 | -509.0 | -45.0  | S65 | 166         | 606.9  | 509.0  |
| 49     |     | -487.7      | -509.0 | -45.0  | S64    | 167 | 566.9       | 509.0  | 40.0   |
| T2     | 50  | -442.7      | -509.0 | -45.0  | S63    | 168 | 526.9       | 509.0  | 40.0   |
|        | 51  | -397.7      | -509.0 | -45.0  | S62    | 169 | 486.9       | 509.0  | 40.0   |
| T4     | 52  | -352.7      | -509.0 | -45.0  | S61    | 170 | 446.9       | 509.0  | 40.0   |
|        | 53  | -307.7      | -509.0 | -45.0  | S60    | 171 | 406.9       | 509.0  | 40.0   |
|        | 54  | -262.7      | -509.0 | -45.0  | S59    | 172 | 366.9       | 509.0  | 40.0   |
| OSC    | 55  | -217.7      | -509.0 | -45.0  | S58    | 173 | 326.9       | 509.0  | 40.0   |
|        | 56  | -172.7      | -509.0 | -45.0  | S57    | 174 | 286.9       | 509.0  | 40.0   |
| SA0    | 57  | -127.7      | -509.0 | -45.0  | S56    | 175 | 246.9       | 509.0  | 40.0   |
|        | 58  | -82.7       | -509.0 | -45.0  | S55    | 176 | 206.9       | 509.0  | 40.0   |
| IFS    | 59  | -37.7       | -509.0 | -45.0  | S54    | 177 | 166.9       | 509.0  | 40.0   |
|        | 60  | 7.3         | -509.0 | -45.0  | S53    | 178 | 126.9       | 509.0  | 40.0   |
| VDD1   | 61  | 52.3        | -509.0 | -45.0  | S52    | 179 | 86.9        | 509.0  | 40.0   |
|        | 62  | 97.3        | -509.0 | -45.0  | S51    | 180 | 46.9        | 509.0  | 40.0   |
|        | 63  | 142.3       | -509.0 | -45.0  | S50    | 181 | 6.9         | 509.0  | 40.0   |
|        | 64  | 187.3       | -509.0 | -45.0  | S49    | 182 | -33.1       | 509.0  | 40.0   |
|        | 65  | 232.3       | -509.0 | -45.0  | S48    | 183 | -73.1       | 509.0  | 40.0   |

**Table 43. Bump locations of PCA8539DUG ...continued**

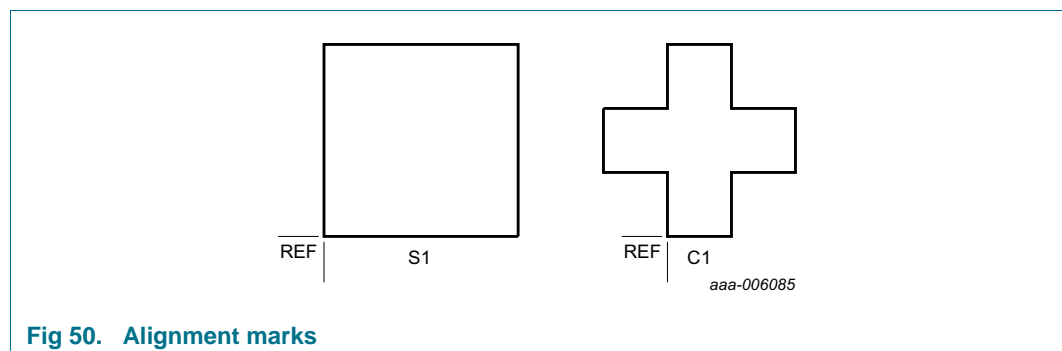
All x/y coordinates represent the position of the center of each bump with respect to the center (x/y = 0) of the chip; see [Figure 49](#)

| Symbol                  | Pin | Coordinates |        | Pitch  | Symbol | Pin | Coordinates |        | Pitch  |
|-------------------------|-----|-------------|--------|--------|--------|-----|-------------|--------|--------|
|                         |     | X (μm)      | Y (μm) | X (μm) |        |     | X (μm)      | Y (μm) | X (μm) |
| VDD2                    | 66  | 277.3       | -509.0 | -45.0  | S47    | 184 | -113.1      | 509.0  | 40.0   |
|                         | 67  | 322.3       | -509.0 | -45.0  | S46    | 185 | -153.1      | 509.0  | 40.0   |
|                         | 68  | 367.3       | -509.0 | -45.0  | S45    | 186 | -193.1      | 509.0  | 40.0   |
|                         | 69  | 412.3       | -509.0 | -45.0  | S44    | 187 | -233.1      | 509.0  | 40.0   |
|                         | 70  | 457.3       | -509.0 | -45.0  | S43    | 188 | -273.1      | 509.0  | 40.0   |
|                         | 71  | 502.3       | -509.0 | -45.0  | S42    | 189 | -313.1      | 509.0  | 40.0   |
|                         | 72  | 547.3       | -509.0 | -45.0  | S41    | 190 | -353.1      | 509.0  | 40.0   |
|                         | 73  | 592.3       | -509.0 | -45.0  | S40    | 191 | -393.1      | 509.0  | 40.0   |
| PD                      | 74  | 637.3       | -509.0 | -45.0  | S39    | 192 | -433.1      | 509.0  | 40.0   |
|                         | 75  | 682.3       | -509.0 | -45.0  | S38    | 193 | -473.1      | 509.0  | 40.0   |
| T3                      | 76  | 727.3       | -509.0 | -45.0  | S37    | 194 | -513.1      | 509.0  | 40.0   |
|                         | 77  | 772.3       | -509.0 | -45.0  | S36    | 195 | -553.1      | 509.0  | 40.0   |
|                         | 78  | 817.3       | -509.0 | -45.0  | S35    | 196 | -593.1      | 509.0  | 40.0   |
|                         | 79  | 862.3       | -509.0 | -45.0  | S34    | 197 | -633.1      | 509.0  | 40.0   |
|                         | 80  | 907.3       | -509.0 | -45.0  | S33    | 198 | -673.1      | 509.0  | 40.0   |
| PWR0UT                  | 81  | 952.3       | -509.0 | -45.0  | S32    | 199 | -713.1      | 509.0  | 40.0   |
|                         | 82  | 997.3       | -509.0 | -45.0  | S31    | 200 | -753.1      | 509.0  | 40.0   |
| PWRIN                   | 83  | 1042.3      | -509.0 | -45.0  | S30    | 201 | -793.1      | 509.0  | 40.0   |
|                         | 84  | 1087.3      | -509.0 | -45.0  | S29    | 202 | -894.1      | 509.0  | 101.0  |
|                         | 85  | 1132.3      | -509.0 | -45.0  | S28    | 203 | -934.1      | 509.0  | 40.0   |
|                         | 86  | 1177.3      | -509.0 | -45.0  | S27    | 204 | -974.1      | 509.0  | 40.0   |
|                         | 87  | 1222.3      | -509.0 | -45.0  | S26    | 205 | -1014.1     | 509.0  | 40.0   |
|                         | 88  | 1267.3      | -509.0 | -45.0  | S25    | 206 | -1054.1     | 509.0  | 40.0   |
|                         | 89  | 1312.3      | -509.0 | -45.0  | S24    | 207 | -1094.1     | 509.0  | 40.0   |
| $\overline{\text{CE}}$  | 90  | 1357.3      | -509.0 | -45.0  | S23    | 208 | -1134.1     | 509.0  | 40.0   |
|                         | 91  | 1402.3      | -509.0 | -45.0  | S22    | 209 | -1174.1     | 509.0  | 40.0   |
| CLK                     | 92  | 1447.3      | -509.0 | -45.0  | S21    | 210 | -1214.1     | 509.0  | 40.0   |
|                         | 93  | 1492.3      | -509.0 | -45.0  | S20    | 211 | -1254.1     | 509.0  | 40.0   |
|                         | 94  | 1537.3      | -509.0 | -45.0  | S19    | 212 | -1294.1     | 509.0  | 40.0   |
| $\overline{\text{RST}}$ | 95  | 1582.3      | -509.0 | -45.0  | S18    | 213 | -1334.1     | 509.0  | 40.0   |
|                         | 96  | 1627.3      | -509.0 | -45.0  | S17    | 214 | -1374.1     | 509.0  | 40.0   |
| SDI/SDAIN               | 97  | 1672.3      | -509.0 | -45.0  | S16    | 215 | -1414.1     | 509.0  | 40.0   |
|                         | 98  | 1717.3      | -509.0 | -45.0  | S15    | 216 | -1454.1     | 509.0  | 40.0   |
|                         | 99  | 1762.3      | -509.0 | -45.0  | S14    | 217 | -1494.1     | 509.0  | 40.0   |
| SDO                     | 100 | 1807.3      | -509.0 | -45.0  | S13    | 218 | -1534.1     | 509.0  | 40.0   |
|                         | 101 | 1852.3      | -509.0 | -45.0  | S12    | 219 | -1574.1     | 509.0  | 40.0   |

**Table 43. Bump locations of PCA8539DUG ...continued**

All x/y coordinates represent the position of the center of each bump with respect to the center (x/y = 0) of the chip; see [Figure 49](#)

| Symbol | Pin | Coordinates |        | Pitch  | Symbol | Pin | Coordinates |        | Pitch  |
|--------|-----|-------------|--------|--------|--------|-----|-------------|--------|--------|
|        |     | X (µm)      | Y (µm) | X (µm) |        |     | X (µm)      | Y (µm) | X (µm) |
| SCL    | 102 | 1897.3      | -509.0 | -45.0  | S11    | 220 | -1614.1     | 509.0  | 40.0   |
|        | 103 | 1942.3      | -509.0 | -45.0  | S10    | 221 | -1654.1     | 509.0  | 40.0   |
|        | 104 | 1987.3      | -509.0 | -45.0  | S9     | 222 | -1694.1     | 509.0  | 40.0   |
| SDAOUT | 105 | 2032.3      | -509.0 | -45.0  | S8     | 223 | -1734.1     | 509.0  | 40.0   |
|        | 106 | 2077.3      | -509.0 | -45.0  | S7     | 224 | -1774.1     | 509.0  | 40.0   |
|        | 107 | 2122.3      | -509.0 | -45.0  | S6     | 225 | -1814.1     | 509.0  | 40.0   |
|        | 108 | 2167.3      | -509.0 | -45.0  | S5     | 226 | -1854.1     | 509.0  | 40.0   |
|        | 109 | 2212.3      | -509.0 | -45.0  | S4     | 227 | -1894.1     | 509.0  | 40.0   |
| COM17  | 110 | 2320.9      | -509.0 | -108.6 | S3     | 228 | -1934.1     | 509.0  | 40.0   |
|        | 111 | 2365.9      | -509.0 | -45.0  | S2     | 229 | -1974.1     | 509.0  | 40.0   |
| COM7   | 112 | 2410.9      | -509.0 | -45.0  | S1     | 230 | -2014.1     | 509.0  | 40.0   |
|        | 113 | 2455.9      | -509.0 | -45.0  | S0     | 231 | -2054.1     | 509.0  | 40.0   |
| COM6   | 114 | 2500.9      | -509.0 | -45.0  | COM16  | 232 | -2160.2     | 509.0  | 106.1  |
|        | 115 | 2545.9      | -509.0 | -45.0  |        | 233 | -2205.2     | 509.0  | 45.0   |
| COM5   | 116 | 2590.9      | -509.0 | -45.0  | COM8   | 234 | -2250.2     | 509.0  | 45.0   |
|        | 117 | 2635.9      | -509.0 | -45.0  |        | 235 | -2295.2     | 509.0  | 45.0   |
|        | 118 | 2680.9      | -509.0 | -45.0  | COM9   | 236 | -2340.2     | 509.0  | 45.0   |
| -      | -   | -           | -      | -      | -      | 237 | -2385.2     | 509.0  | 45.0   |
| -      | -   | -           | -      | -      | COM10  | 238 | -2430.2     | 509.0  | 45.0   |
| -      | -   | -           | -      | -      |        | 239 | -2475.2     | 509.0  | 45.0   |
| -      | -   | -           | -      | -      | COM11  | 240 | -2520.2     | 509.0  | 45.0   |
| -      | -   | -           | -      | -      |        | 241 | -2565.2     | 509.0  | 45.0   |
| -      | -   | -           | -      | -      | COM12  | 242 | -2610.2     | 509.0  | 45.0   |
| -      | -   | -           | -      | -      |        | 243 | -2655.2     | 509.0  | 45.0   |
| -      | -   | -           | -      | -      |        | 244 | -2700.2     | 509.0  | 45.0   |
| -      | -   | -           | -      | -      |        |     |             |        |        |



**Fig 50. Alignment marks**

**Table 44. Alignment marking**

All x/y coordinates represent the position of the REF point (see [Figure 50](#)) with respect to the center (x/y = 0) of the chip; see [Figure 49](#).

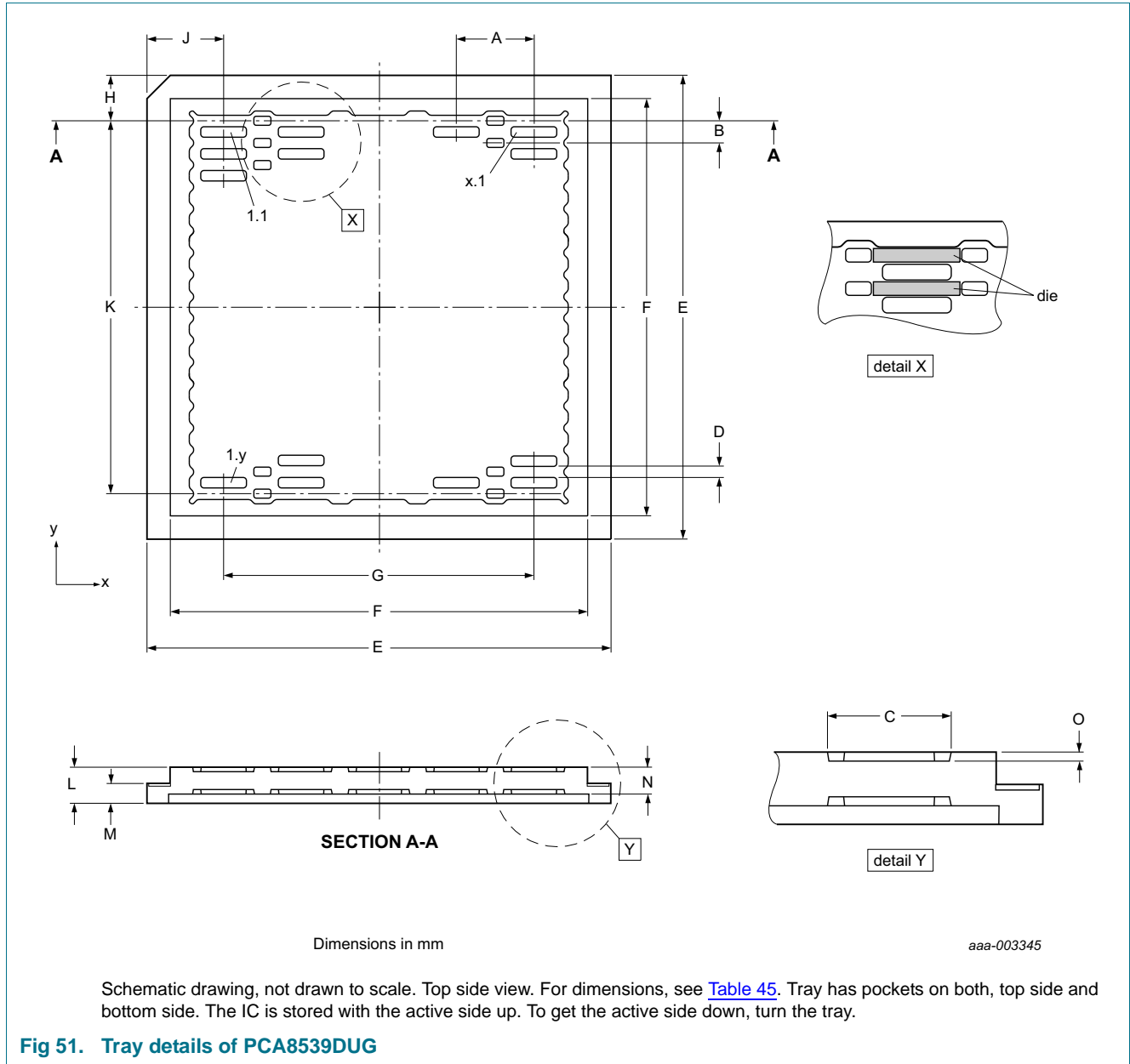
| Symbol | Size ( $\mu\text{m}$ ) | X ( $\mu\text{m}$ ) | Y ( $\mu\text{m}$ ) |
|--------|------------------------|---------------------|---------------------|
| S1     | 90 × 90                | -2585.0             | 36.0                |
| C1     | 90 × 90                | 2522.0              | 36                  |

## 17. Handling information

All input and output pins are protected against ElectroStatic Discharge (ESD) under normal handling. When handling Metal-Oxide Semiconductor (MOS) devices ensure that all normal precautions are taken as described in *JESD625-A*, *IEC 61340-5* or equivalent standards.

## 18. Packing information

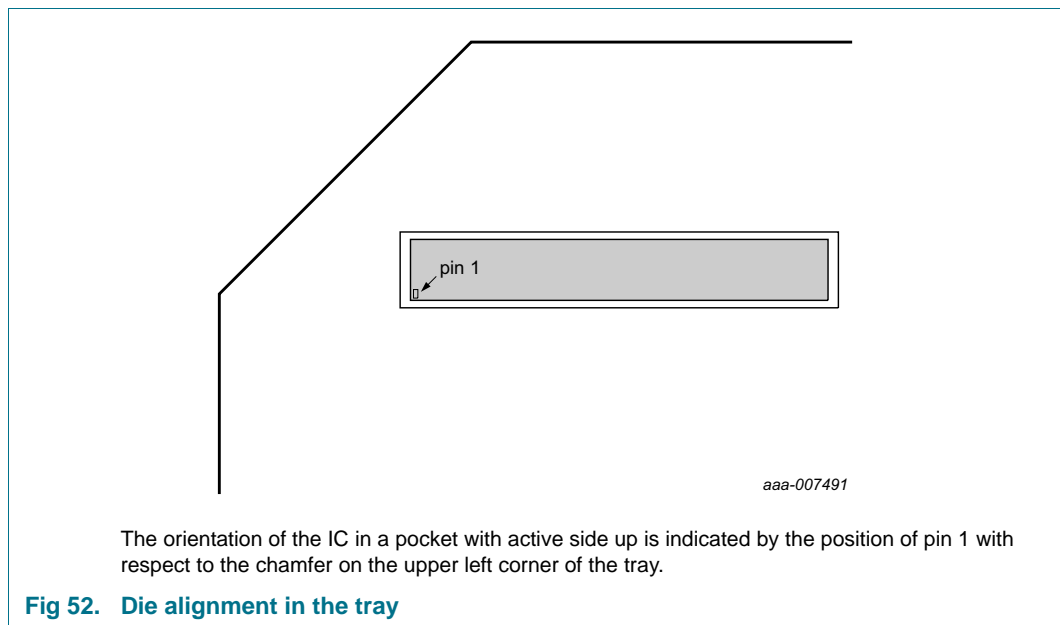
### 18.1 Packing information on the tray



**Table 45. Specification of 3 inch tray details**

Tray details are shown in [Figure 51](#). Nominal values without production tolerances.

| Tray details      |     |      |      |      |      |      |             |      |      |     |     |     |      |      |
|-------------------|-----|------|------|------|------|------|-------------|------|------|-----|-----|-----|------|------|
| Dimensions        |     |      |      |      |      |      |             |      |      |     |     |     |      |      |
| A                 | B   | C    | D    | E    | F    | G    | H           | J    | K    | L   | M   | N   | O    | Unit |
| 7.0               | 2.5 | 5.74 | 1.34 | 76.0 | 68.0 | 56.0 | 6.75        | 10.0 | 62.5 | 4.2 | 2.6 | 3.2 | 0.48 | mm   |
| Number of pockets |     |      |      |      |      |      |             |      |      |     |     |     |      |      |
| x direction       |     |      |      |      |      |      | y direction |      |      |     |     |     |      |      |
| 9                 |     |      |      |      |      |      | 26          |      |      |     |     |     |      |      |



## 19. Appendix

### 19.1 Initialization code example

In this section a code example is given that shows how the initialization of the PCA8539 might look like (see [Section 8.2.1](#)). The actual code may differ depending on the application and its purpose.

```
I2CWriteLength = 5;
I2CReadLength = 0;
I2CMasterBuffer[0] = PCA8539_ADDR;
I2CMasterBuffer[1] = 0b10000000; // control byte
I2CMasterBuffer[2] = 0x01; // Initialize
I2CMasterBuffer[3] = 0b10000000; // control byte
I2CMasterBuffer[4] = 0x02; // OTP refresh
I2CEngine();

delay_ms(10);

I2CWriteLength = 24;
I2CReadLength = 0;
I2CMasterBuffer[0] = PCA8539_ADDR;
I2CMasterBuffer[1] = 0b10000000; // control byte
I2CMasterBuffer[2] = 0x21; // Enable CLKOUT signal
I2CMasterBuffer[3] = 0b10000000; // control byte
I2CMasterBuffer[4] = 0x50; // Set multiplex mode to 1:18
I2CMasterBuffer[5] = 0b11000000; // control byte
I2CMasterBuffer[6] = 0x40; // Set to frame inversion mode
I2CMasterBuffer[7] = 0b11000000; // control byte
I2CMasterBuffer[8] = 0x2A; // set Entry Mode. Display address increments by 1
I2CMasterBuffer[9] = 0b11000000; // control byte
I2CMasterBuffer[10] = 0x92; // set frame frequency to 210 Hz
I2CMasterBuffer[11] = 0b11000000; // control byte
I2CMasterBuffer[12] = 0x04; // Set Display configuration: segment data L to R
I2CMasterBuffer[13] = 0b11100000; // control byte
I2CMasterBuffer[14] = 0xAC; // Set MSB Vlcd to 01100
I2CMasterBuffer[15] = 0b11100000; // control byte
I2CMasterBuffer[16] = 0x9F; // Set LSB Vlcd to 1111. Vlcd set to 10.2 V
I2CMasterBuffer[17] = 0b11100000; // control byte
I2CMasterBuffer[18] = 0x85; // Enable charge pump and set to 3x
```



```

I2CMasterBuffer[19] = 0b11100000; // control byte
I2CMasterBuffer[20] = 0x05; // Enable temperature compensation of Vlcd.
I2CMasterBuffer[21] = 0b11000000; // control byte
I2CMasterBuffer[22] = 0x24; // Enable display
I2CMasterBuffer[23] = 0b10000000; // control byte

I2CEngine();

```

## 19.2 LCD graphic driver selection

Table 46. Selection of LCD graphic drivers

| Type name  | Max display resolution rows × col.        | Multiplex rates               | V <sub>DD1</sub> (V) | V <sub>DD2</sub> (V) | V <sub>LCD</sub> (V) | f <sub>fr</sub> (Hz)     | V <sub>LCD</sub> (V) charge pump | V <sub>LCD</sub> (V) temperature compensat. | T <sub>amb</sub> (°C) | Interface                          | Package  | AEC-Q100 |
|------------|---|-------------------------------|----------------------|----------------------|----------------------|--------------------------|----------------------------------|---|-----------------------|------------------------------------|----------|----------|
| PCA8539DUG | 18 × 100                                  | 1:12, 1:18                    | 2.5 to 5.5           | 2.5 to 5.5           | 4 to 16              | 45 to 360 <sup>[1]</sup> | Y                                | Y   | −40 to 105            | I <sup>2</sup> C, SPI              | bare die | Y        |
| PCF8539DUG | 18 × 100                                  | 1:12, 1:18                    | 2.5 to 5.5           | 2.5 to 5.5           | 4 to 16              | 45 to 360 <sup>[1]</sup> | Y                                | Y   | −40 to 85             | I <sup>2</sup> C, SPI              | bare die | N        |
| PCF8531U   | 34 × 128 or<br>33 × 128 plus<br>128 icons | 1:17, 1:26,<br>1:34           | 1.8 to 5.5           | 2.5 to 4.5           | 4 to 9               | 66                       | Y                                | Y   | −40 to 85             | I <sup>2</sup> C                   | bare die | N        |
| PCF8811U   | 80 × 128 or<br>79 × 129 plus<br>128 icons | 1:16 to 1:80<br>in steps of 8 | 2 to 3.3             | 1.8 to 3.3           | 3 to 9               | 30 to 60 <sup>[1]</sup>  | Y                                | Y   | −40 to 85             | I <sup>2</sup> C, SPI,<br>parallel | bare die | N        |

[1] Can be selected by command.

## 20. Abbreviations

**Table 47. Abbreviations**

| Acronym          | Description                    |
|------------------|--------------------------------|
| AEC              | Automotive Electronics Council |
| CRC              | Cyclical Redundancy Check      |
| COG              | Chip-On-Glass                  |
| DC               | Direct Current                 |
| EMC              | ElectroMagnetic Compatibility  |
| ESD              | ElectroStatic Discharge        |
| HBM              | Human Body Model               |
| I <sup>2</sup> C | Inter-Integrated Circuit bus   |
| IC               | Integrated Circuit             |
| ITO              | Indium Tin Oxide               |
| LCD              | Liquid Crystal Display         |
| LSB              | Least Significant Bit          |
| MOS              | Metal-Oxide Semiconductor      |
| MSB              | Most Significant Bit           |
| MUX              | Multiplexer                    |
| NC               | Numeric Code                   |
| OTP              | One Time Programmable          |
| RC               | Resistance-Capacitance         |
| RAM              | Random Access Memory           |
| RMS              | Root Mean Square               |
| SCL              | Serial CLock line              |
| SDA              | Serial DAta line               |
| SPI              | Serial Peripheral Interface    |
| VA               | Vertical Alignment             |
| XOR              | EXclusive OR operator          |

## 21. References

---

- [1] **AN10170** — Design guidelines for COG modules with NXP monochrome LCD drivers
- [2] **AN10439** — Wafer Level Chip Size Package
- [3] **AN10706** — Handling bare die
- [4] **AN10853** — ESD and EMC sensitivity of IC
- [5] **AN11267** — EMC and system level ESD design guidelines for LCD drivers
- [6] **IEC 60134** — Rating systems for electronic tubes and valves and analogous semiconductor devices
- [7] **IEC 61340-5** — Protection of electronic devices from electrostatic phenomena
- [8] **JESD22-A114** — Electrostatic Discharge (ESD) Sensitivity Testing Human Body Model (HBM)
- [9] **JESD22-C101** — Field-Induced Charged-Device Model Test Method for Electrostatic-Discharge-Withstand Thresholds of Microelectronic Components
- [10] **JESD78** — IC Latch-Up Test
- [11] **JESD625-A** — Requirements for Handling Electrostatic-Discharge-Sensitive (ESDS) Devices
- [12] **UM10204** — I<sup>2</sup>C-bus specification and user manual
- [13] **UM10569** — Store and transport requirements

## 22. Revision history

---

**Table 48. Revision history**

| Document ID | Release date | Data sheet status  | Change notice | Supersedes |
|-------------|--------------|--------------------|---------------|------------|
| PCA8539 v.1 | 20131111     | Product data sheet | -             | -          |

## 23. Legal information

### 23.1 Data sheet status

| Document status <sup>[1][2]</sup> | Product status <sup>[3]</sup> | Definition  |
|-----------------------------------|-------------------------------|---|
| Objective [short] data sheet      | Development                   | This document contains data from the objective specification for product development. |
| Preliminary [short] data sheet    | Qualification                 | This document contains data from the preliminary specification.                       |
| Product [short] data sheet        | Production                    | This document contains the product specification.                                     |

[1] Please consult the most recently issued document before initiating or completing a design.

[2] The term 'short data sheet' is explained in section "Definitions".

[3] The product status of device(s) described in this document may have changed since this document was published and may differ in case of multiple devices. The latest product status information is available on the Internet at URL <http://www.nxp.com>.

### 23.2 Definitions

**Draft** — The document is a draft version only. The content is still under internal review and subject to formal approval, which may result in modifications or additions. NXP Semiconductors does not give any representations or warranties as to the accuracy or completeness of information included herein and shall have no liability for the consequences of use of such information.

**Short data sheet** — A short data sheet is an extract from a full data sheet with the same product type number(s) and title. A short data sheet is intended for quick reference only and should not be relied upon to contain detailed and full information. For detailed and full information see the relevant full data sheet, which is available on request via the local NXP Semiconductors sales office. In case of any inconsistency or conflict with the short data sheet, the full data sheet shall prevail.

**Product specification** — The information and data provided in a Product data sheet shall define the specification of the product as agreed between NXP Semiconductors and its customer, unless NXP Semiconductors and customer have explicitly agreed otherwise in writing. In no event however, shall an agreement be valid in which the NXP Semiconductors product is deemed to offer functions and qualities beyond those described in the Product data sheet.

### 23.3 Disclaimers

**Limited warranty and liability** — Information in this document is believed to be accurate and reliable. However, NXP Semiconductors does not give any representations or warranties, expressed or implied, as to the accuracy or completeness of such information and shall have no liability for the consequences of use of such information. NXP Semiconductors takes no responsibility for the content in this document if provided by an information source outside of NXP Semiconductors.

In no event shall NXP Semiconductors be liable for any indirect, incidental, punitive, special or consequential damages (including - without limitation - lost profits, lost savings, business interruption, costs related to the removal or replacement of any products or rework charges) whether or not such damages are based on tort (including negligence), warranty, breach of contract or any other legal theory.

Notwithstanding any damages that customer might incur for any reason whatsoever, NXP Semiconductors' aggregate and cumulative liability towards customer for the products described herein shall be limited in accordance with the *Terms and conditions of commercial sale* of NXP Semiconductors.

**Right to make changes** — NXP Semiconductors reserves the right to make changes to information published in this document, including without limitation specifications and product descriptions, at any time and without notice. This document supersedes and replaces all information supplied prior to the publication hereof.

**Suitability for use in automotive applications** — This NXP Semiconductors product has been qualified for use in automotive applications. Unless otherwise agreed in writing, the product is not designed, authorized or warranted to be suitable for use in life support, life-critical or safety-critical systems or equipment, nor in applications where failure or malfunction of an NXP Semiconductors product can reasonably be expected to result in personal injury, death or severe property or environmental damage. NXP Semiconductors and its suppliers accept no liability for inclusion and/or use of NXP Semiconductors products in such equipment or applications and therefore such inclusion and/or use is at the customer's own risk.

**Applications** — Applications that are described herein for any of these products are for illustrative purposes only. NXP Semiconductors makes no representation or warranty that such applications will be suitable for the specified use without further testing or modification.

Customers are responsible for the design and operation of their applications and products using NXP Semiconductors products, and NXP Semiconductors accepts no liability for any assistance with applications or customer product design. It is customer's sole responsibility to determine whether the NXP Semiconductors product is suitable and fit for the customer's applications and products planned, as well as for the planned application and use of customer's third party customer(s). Customers should provide appropriate design and operating safeguards to minimize the risks associated with their applications and products.

NXP Semiconductors does not accept any liability related to any default, damage, costs or problem which is based on any weakness or default in the customer's applications or products, or the application or use by customer's third party customer(s). Customer is responsible for doing all necessary testing for the customer's applications and products using NXP Semiconductors products in order to avoid a default of the applications and the products or of the application or use by customer's third party customer(s). NXP does not accept any liability in this respect.

**Limiting values** — Stress above one or more limiting values (as defined in the Absolute Maximum Ratings System of IEC 60134) will cause permanent damage to the device. Limiting values are stress ratings only and (proper) operation of the device at these or any other conditions above those given in the Recommended operating conditions section (if present) or the Characteristics sections of this document is not warranted. Constant or repeated exposure to limiting values will permanently and irreversibly affect the quality and reliability of the device.

**Terms and conditions of commercial sale** — NXP Semiconductors products are sold subject to the general terms and conditions of commercial sale, as published at <http://www.nxp.com/profile/terms>, unless otherwise agreed in a valid written individual agreement. In case an individual agreement is concluded only the terms and conditions of the respective agreement shall apply. NXP Semiconductors hereby expressly objects to applying the customer's general terms and conditions with regard to the purchase of NXP Semiconductors products by customer.

**No offer to sell or license** — Nothing in this document may be interpreted or construed as an offer to sell products that is open for acceptance or the grant, conveyance or implication of any license under any copyrights, patents or other industrial or intellectual property rights.

**Export control** — This document as well as the item(s) described herein may be subject to export control regulations. Export might require a prior authorization from competent authorities.

**Translations** — A non-English (translated) version of a document is for reference only. The English version shall prevail in case of any discrepancy between the translated and English versions.

**Bare die** — All die are tested on compliance with their related technical specifications as stated in this data sheet up to the point of wafer sawing and are handled in accordance with the NXP Semiconductors storage and transportation conditions. If there are data sheet limits not guaranteed, these will be separately indicated in the data sheet. There are no post-packing tests performed on individual die or wafers.

NXP Semiconductors has no control of third party procedures in the sawing, handling, packing or assembly of the die. Accordingly, NXP Semiconductors assumes no liability for device functionality or performance of the die or systems after third party sawing, handling, packing or assembly of the die. It is the responsibility of the customer to test and qualify their application in which the die is used.

All die sales are conditioned upon and subject to the customer entering into a written die sale agreement with NXP Semiconductors through its legal department.

## 23.4 Trademarks

Notice: All referenced brands, product names, service names and trademarks are the property of their respective owners.

**I<sup>2</sup>C-bus** — logo is a trademark of NXP B.V.

## 24. Contact information

For more information, please visit: <http://www.nxp.com>

For sales office addresses, please send an email to: [salesaddresses@nxp.com](mailto:salesaddresses@nxp.com)

## 25. Tables

|  |    |  |    |
|--|----|--|----|
| Table 1. Ordering information  | 3  | Table 41. SPI-bus characteristics              | 69 |
| Table 2. Ordering options  | 3  | Table 42. Dimensions of PCA8539DUG             | 73 |
| Table 3. Pin description of PCA8539DUG   | 6  | Table 43. Bump locations of PCA8539DUG         | 73 |
| Table 4. Command execution sequence  | 8  | Table 44. Alignment marking                    | 77 |
| Table 5. Commands of PCA8539   | 8  | Table 45. Specification of 3 inch tray details | 79 |
| Table 6. Initialize - Initialize command bit description                                     | 9  | Table 46. Selection of LCD graphic drivers     | 81 |
| Table 7. Clear_reset_flag - Clear_reset_flag command bit description                         | 9  | Table 47. Abbreviations                        | 82 |
| Table 8. OTP_refresh - OTP_refresh command bit description                                   | 10 | Table 48. Revision history                     | 84 |
| Table 9. Clock_out_ctrl - CLK pin input/output switch command bit description                | 10 |  |    |
| Table 10. Read_reg_select - select registers for readout command bit description             | 10 |  |    |
| Table 11. Read_status_reg - readout register command bit description                         | 11 |  |    |
| Table 12. Graphic_mode_cfg - graphic mode command bit description                            | 12 |  |    |
| Table 13. Sel_mem_bank - RAM access configuration command                                    | 13 |  |    |
| Table 14. Set_mem_addr - memory address command bit description                              | 13 |  |    |
| Table 15. Read_data - data read bit description  | 13 |  |    |
| Table 16. Write_data - data write bit description  | 14 |  |    |
| Table 17. Entry_mode_set - entry mode bit description  | 15 |  |    |
| Table 18. Inversion_mode - inversion mode command bit description                            | 15 |  |    |
| Table 19. Frame-frequency - frame frequency select command bit description                   | 16 |  |    |
| Table 20. Clock and frame frequency values   | 17 |  |    |
| Table 21. Display_control - Display control bit description                                  | 17 |  |    |
| Table 22. Display_config - display configuration bit description                             | 18 |  |    |
| Table 23. Charge_pump_ctrl - charge pump control command bit description                     | 19 |  |    |
| Table 24. Set_VLCD - Set-V <sub>LCD</sub> command bit description                            | 19 |  |    |
| Table 25. Temperature_ctrl - temperature measurement control command bit description         | 20 |  |    |
| Table 26. TC_slope - V <sub>LCD</sub> temperature compensation slope command bit description | 21 |  |    |
| Table 27. Reset state of PCA8539   | 22 |  |    |
| Table 28. Temperature coefficients   | 37 |  |    |
| Table 29. Calculation of the temperature compensating factor VT                              | 38 |  |    |
| Table 30. Bias levels as a function of multiplex rate  | 38 |  |    |
| Table 31. Display RAM bitmap   | 45 |  |    |
| Table 32. Control byte description   | 51 |  |    |
| Table 33. I <sup>2</sup> C slave address byte  | 54 |  |    |
| Table 34. R/W-bit description  | 55 |  |    |
| Table 35. Serial interface   | 57 |  |    |
| Table 36. Subaddress byte definition   | 57 |  |    |
| Table 37. Limiting values  | 61 |  |    |
| Table 38. Static characteristics   | 62 |  |    |
| Table 39. General dynamic characteristics  | 68 |  |    |
| Table 40. I <sup>2</sup> C-bus timing characteristics  | 68 |  |    |

## 26. Figures

|         |  |    |         |   |    |
|---------|--|----|---------|---|----|
| Fig 1.  | Block diagram of PCA8539   | 4  | Fig 29. | Control byte format   | 51 |
| Fig 2.  | Pin configuration for PCA8539DUG   | 5  | Fig 30. | SDAOUT and SDAIN configuration                                | 52 |
| Fig 3.  | Illustration of the display configuration bit P  | 18 | Fig 31. | Bit transfer  | 53 |
| Fig 4.  | Recommended start-up sequence when using the internal charge pump and the internal clock signal                                  | 24 | Fig 32. | Definition of START and STOP conditions                       | 53 |
| Fig 5.  | Recommended start-up sequence when using an externally supplied $V_{LCD}$ and the internal clock signal                          | 24 | Fig 33. | System configuration  | 53 |
| Fig 6.  | Recommended start-up sequence when using the internal charge pump and an external clock signal                                   | 25 | Fig 34. | Acknowledgement on the I <sup>2</sup> C-bus                   | 54 |
| Fig 7.  | Recommended start-up sequence when using an externally supplied $V_{LCD}$ and an external clock signal                           | 25 | Fig 35. | I <sup>2</sup> C-bus protocol write mode                      | 55 |
| Fig 8.  | Recommended power-down sequence for minimum power-down current when using the internal charge pump and the internal clock signal | 26 | Fig 36. | I <sup>2</sup> C-bus protocol read mode                       | 56 |
| Fig 9.  | Recommended power-down sequence when using an externally supplied $V_{LCD}$ and the internal clock signal                        | 27 | Fig 37. | SPI data transfer overview                                    | 57 |
| Fig 10. | Recommended power-down sequence when using the internal charge pump and an external clock signal                                 | 28 | Fig 38. | SPI-bus write example   | 58 |
| Fig 11. | Recommended power-down sequence when using an externally supplied $V_{LCD}$ and an external clock signal                         | 28 | Fig 39. | Device protection diagram                                     | 59 |
| Fig 12. | PCA8539 connected to a dot-matrix LCD (multiplex drive mode 1:12)  | 29 | Fig 40. | Typical $I_{DD1}$ with respect to temperature                 | 65 |
| Fig 13. | Typical system configuration if using the internal $V_{LCD}$ generation and I <sup>2</sup> C-bus                                 | 30 | Fig 41. | Typical $I_{DD2}$ with respect to temperature                 | 65 |
| Fig 14. | Typical system configuration if using the external $V_{LCD}$ and SPI-bus   | 30 | Fig 42. | Typical $I_{DD(LCD)}$ with respect to temperature             | 66 |
| Fig 15. | $V_{LCD}$ generation including temperature compensation  | 32 | Fig 43. | Typical $V_{LCD}$ variation with respect to temperature       | 66 |
| Fig 16. | $V_{LCD}$ programming of PCA8539 (assuming VT[8:0] = 0h)   | 33 | Fig 44. | Typical frame frequency variation with respect to temperature | 67 |
| Fig 17. | $V_{LCD}$ with respect to $I_{load}$ at $V_{DD2} = 2.5 V$  | 34 | Fig 45. | Measurement temperature variation with respect to temperature | 67 |
| Fig 18. | $V_{LCD}$ with respect to $I_{load}$ at $V_{DD2} = 5 V$  | 34 | Fig 46. | Driver timing waveforms                                       | 69 |
| Fig 19. | $V_{LCD}$ with respect to $I_{load}$ at $V_{DD2} = 5 V$  | 35 | Fig 47. | I <sup>2</sup> C-bus timing diagram                           | 69 |
| Fig 20. | Temperature measurement block with digital temperature filter  | 36 | Fig 48. | SPI-bus timing  | 70 |
| Fig 21. | Temperature measurement delay  | 36 | Fig 49. | Bare die outline of PCA8539DUG                                | 72 |
| Fig 22. | Example of segmented temperature coefficients  | 37 | Fig 50. | Alignment marks   | 76 |
| Fig 23. | Electro-optical characteristic: relative transmission curve of the liquid  | 40 | Fig 51. | Tray details of PCA8539DUG                                    | 78 |
| Fig 24. | Waveforms for the 1:18 multiplex drive mode. 5 bias levels, character mode, frame inversion mode                                 | 41 | Fig 52. | Die alignment in the tray                                     | 79 |
| Fig 25. | Waveforms for the 1:12 multiplex drive mode, 5 bias levels, character mode, R8 to R15 and R17 open, frame inversion mode         | 42 |         |   |    |
| Fig 26. | RAM access flowchart   | 43 |         |   |    |
| Fig 27. | Logic diagram of the CRC8 generator  | 44 |         |   |    |
| Fig 28. | Checksum generation  | 44 |         |   |    |



## 27. Contents

|          |   |          |           |  |           |
|----------|---|----------|-----------|--|-----------|
| <b>1</b> | <b>General description</b> . . . . .                | <b>1</b> | 8.4.1     | V <sub>LCD</sub> pins . . . . .  | 31        |
| <b>2</b> | <b>Features and benefits</b> . . . . .              | <b>1</b> | 8.4.2     | External V <sub>LCD</sub> supply . . . . .   | 31        |
| <b>3</b> | <b>Applications</b> . . . . .                       | <b>2</b> | 8.4.3     | Internal V <sub>LCD</sub> generation . . . . .                                     | 31        |
| <b>4</b> | <b>Ordering information</b> . . . . .               | <b>3</b> | 8.4.3.1   | V <sub>LCD</sub> programming . . . . .   | 31        |
| 4.1      | Ordering options . . . . .                          | 3        | 8.4.4     | V <sub>LCD</sub> drive capability . . . . .  | 33        |
| <b>5</b> | <b>Marking</b> . . . . .                            | <b>3</b> | 8.4.5     | Temperature measurement and temperature compensation of V <sub>LCD</sub> . . . . . | 35        |
| <b>6</b> | <b>Block diagram</b> . . . . .                      | <b>4</b> | 8.4.5.1   | Temperature readout . . . . .  | 35        |
| <b>7</b> | <b>Pinning information</b> . . . . .                | <b>5</b> | 8.4.5.2   | Temperature adjustment of the V <sub>LCD</sub> . . . . .                           | 36        |
| 7.1      | Pinning . . . . .                                   | 5        | 8.4.5.3   | Example calculation of V <sub>offset(LCD)</sub> . . . . .                          | 38        |
| 7.2      | Pin description . . . . .                           | 6        | 8.4.6     | LCD bias voltage generator . . . . .   | 38        |
| <b>8</b> | <b>Functional description</b> . . . . .             | <b>8</b> | 8.4.6.1   | Electro-optical performance . . . . .  | 39        |
| 8.1      | Commands of PCA8539 . . . . .                       | 8        | 8.4.7     | LCD drive mode waveforms . . . . .   | 40        |
| 8.1.1    | General control commands . . . . .                  | 9        | 8.5       | Display RAM and general-purpose RAM . . . . .                                      | 43        |
| 8.1.1.1  | Command: Initialize . . . . .                       | 9        | 8.5.1     | Checksum . . . . .   | 43        |
| 8.1.1.2  | Command: Clear_reset_flag . . . . .                 | 9        | 8.5.2     | Display RAM and multiplex drive modes . . . . .                                    | 44        |
| 8.1.1.3  | Command: OTP_refresh . . . . .                      | 9        | 8.5.2.1   | Display RAM addressing . . . . .   | 50        |
| 8.1.1.4  | Command: Clock_out_ctrl . . . . .                   | 10       | 8.5.3     | General-purpose RAM . . . . .  | 50        |
| 8.1.1.5  | Command: Read_reg_select . . . . .                  | 10       | 8.5.3.1   | General-purpose RAM addressing . . . . .   | 50        |
| 8.1.1.6  | Command: Read_status_reg . . . . .                  | 10       | <b>9</b>  | <b>Bus interfaces</b> . . . . .  | <b>51</b> |
| 8.1.1.7  | Command: Graphic_mode_cfg . . . . .                 | 12       | 9.1       | Control byte and register selection . . . . .                                      | 51        |
| 8.1.1.8  | Command: Sel_mem_bank . . . . .                     | 13       | 9.2       | I <sup>2</sup> C interface . . . . .   | 52        |
| 8.1.1.9  | Command: Set_mem_addr . . . . .                     | 13       | 9.2.1     | Bit transfer . . . . .   | 52        |
| 8.1.1.10 | Command: Read_data . . . . .                        | 13       | 9.2.2     | START and STOP conditions . . . . .  | 53        |
| 8.1.1.11 | Command: Write_data . . . . .                       | 14       | 9.2.3     | System configuration . . . . .   | 53        |
| 8.1.2    | Display control commands . . . . .                  | 15       | 9.2.4     | Acknowledge . . . . .  | 53        |
| 8.1.2.1  | Command: Entry_mode_set . . . . .                   | 15       | 9.2.5     | I <sup>2</sup> C-bus controller . . . . .  | 54        |
| 8.1.2.2  | Command: Inversion_mode . . . . .                   | 15       | 9.2.6     | Input filters . . . . .  | 54        |
| 8.1.2.3  | Command: Frame_frequency . . . . .                  | 16       | 9.2.7     | I <sup>2</sup> C-bus slave address . . . . .                                       | 54        |
| 8.1.2.4  | Command: Display_control . . . . .                  | 17       | 9.2.8     | I <sup>2</sup> C-bus protocol . . . . .  | 55        |
| 8.1.2.5  | Command: Display_config . . . . .                   | 18       | 9.3       | SPI interface . . . . .  | 57        |
| 8.1.3    | Charge pump and LCD bias control commands . . . . . | 19       | 9.3.1     | SPI-bus data transfer . . . . .  | 57        |
| 8.1.3.1  | Command: Charge_pump_ctrl . . . . .                 | 19       | <b>10</b> | <b>Internal circuitry</b> . . . . .  | <b>59</b> |
| 8.1.3.2  | Command: Set_VLCD . . . . .                         | 19       | <b>11</b> | <b>Safety notes</b> . . . . .  | <b>60</b> |
| 8.1.4    | Temperature compensation control commands . . . . . | 20       | <b>12</b> | <b>Limiting values</b> . . . . .   | <b>61</b> |
| 8.1.4.1  | Command: Temperature_ctrl . . . . .                 | 20       | <b>13</b> | <b>Static characteristics</b> . . . . .  | <b>62</b> |
| 8.1.4.2  | Command: TC_slope . . . . .                         | 21       | <b>14</b> | <b>Dynamic characteristics</b> . . . . .   | <b>68</b> |
| 8.2      | Start-up and shut-down . . . . .                    | 22       | 14.1      | General timing characteristics . . . . .   | 68        |
| 8.2.1    | Initialization . . . . .                            | 22       | 14.2      | I <sup>2</sup> C-bus timing characteristics . . . . .                              | 68        |
| 8.2.2    | Reset pin function . . . . .                        | 23       | 14.3      | SPI-bus timing characteristics . . . . .   | 69        |
| 8.2.3    | Power-down pin function . . . . .                   | 23       | <b>15</b> | <b>Test information</b> . . . . .  | <b>71</b> |
| 8.2.4    | Recommended start-up sequences . . . . .            | 23       | 15.1      | Quality information . . . . .  | 71        |
| 8.2.5    | Recommended power-down sequences . . . . .          | 26       | <b>16</b> | <b>Bare die outline</b> . . . . .  | <b>72</b> |
| 8.3      | Possible display configurations . . . . .           | 29       | <b>17</b> | <b>Handling information</b> . . . . .  | <b>77</b> |
| 8.4      | LCD voltage . . . . .                               | 31       | <b>18</b> | <b>Packing information</b> . . . . .   | <b>78</b> |
|          |   |          | 18.1      | Packing information on the tray . . . . .  | 78        |

continued >>

|           |                                    |           |
|-----------|------------------------------------|-----------|
| <b>19</b> | <b>Appendix</b> .....              | <b>80</b> |
| 19.1      | Initialization code example .....  | 80        |
| 19.2      | LCD graphic driver selection ..... | 81        |
| <b>20</b> | <b>Abbreviations</b> .....         | <b>82</b> |
| <b>21</b> | <b>References</b> .....            | <b>83</b> |
| <b>22</b> | <b>Revision history</b> .....      | <b>84</b> |
| <b>23</b> | <b>Legal information</b> .....     | <b>85</b> |
| 23.1      | Data sheet status .....            | 85        |
| 23.2      | Definitions .....                  | 85        |
| 23.3      | Disclaimers .....                  | 85        |
| 23.4      | Trademarks .....                   | 86        |
| <b>24</b> | <b>Contact information</b> .....   | <b>86</b> |
| <b>25</b> | <b>Tables</b> .....                | <b>87</b> |
| <b>26</b> | <b>Figures</b> .....               | <b>88</b> |
| <b>27</b> | <b>Contents</b> .....              | <b>89</b> |

---

Please be aware that important notices concerning this document and the product(s) described herein, have been included in section 'Legal information'.

---

© NXP B.V. 2013.

All rights reserved.

For more information, please visit: <http://www.nxp.com>

For sales office addresses, please send an email to: [salesaddresses@nxp.com](mailto:salesaddresses@nxp.com)

Date of release: 11 November 2013

Document identifier: PCA8539