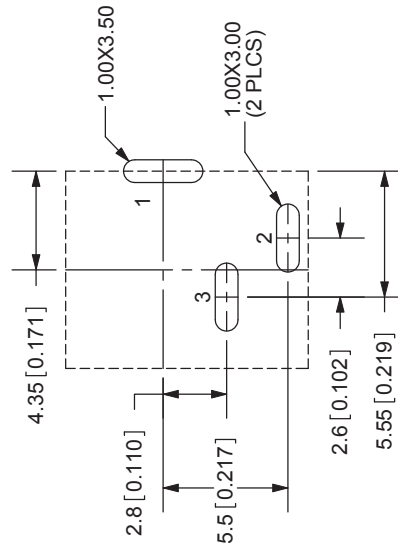
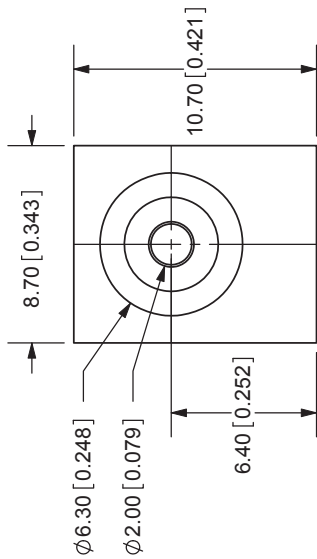
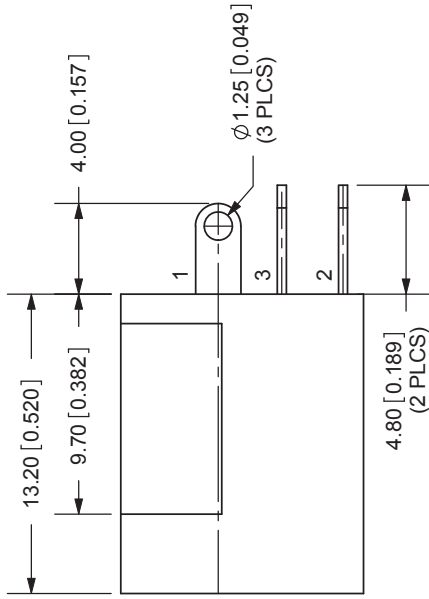


REV.	DESCRIPTION	DATE
A	NEW DRAWING	5/17/2006
B	hand soldering note added	4/23/2009



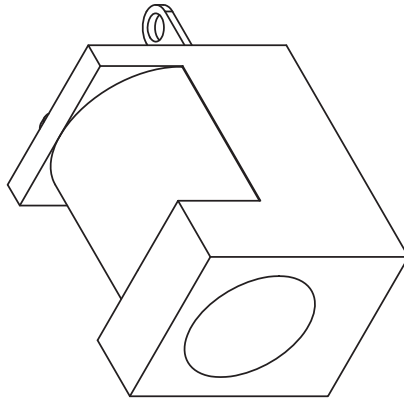
PCB LAYOUT  
BACK VIEW

MODEL NO.	PJ-006A
SCHEMATIC	
CENTER PIN DIAMETER 2.0mm	

**NOTE:**  
1. FOR HAND SOLDERING ONLY

**SPECIFICATIONS:**  
 RATING: 16V DC @ 2A  
 CONTACT RESISTANCE: 30m OHMS MAX  
 INSULATION RESISTANCE: 100M OHMS MIN: 500V DC  
 VOLTAGE WITHSTAND: 500V AC R.M.S. FOR 1 MINUTE  
 LIFE: 5,000 CYCLES  
 OPERATING TEMP: -20° ~ +85°C

	MATERIAL	PLATING
CENTER PIN	Copper	Nickel
TERMINAL 1	Brass	Silver
TERMINAL 2	Phosphor Bronze	Silver
TERMINAL 3	Brass	Silver
HOUSING	PBT	



TOLERANCE:  
±0.3mm UNLESS OTHERWISE  
SPECIFIED



20050 SW 112th Ave.  
 Tualatin, OR 97062  
 Phone: 503-612-2300  
 800-275-4899  
 Fax: 503-612-2383  
 Website: www.cui.com

TITLE:	DC POWER JACK	REV:	B
PART NO:	PJ-006A	UNITS:	MM [INCHES]
DRAWN BY:	ZRJ	APPROVED BY:	
		SCALE:	3:1