

# VM Series

## Variable Mount Heatsink Series

Ohmite introduces this new versatile heatsink design. This new design can accommodate several different industry packages. This design also lets the customer choose a mounting style using screws or clips for secure mounting to the heatsink. These one of a kind heatsinks are offered in a vertical (free convection cooling) or horizontal format (forced convection cooling) to fit customer applications.



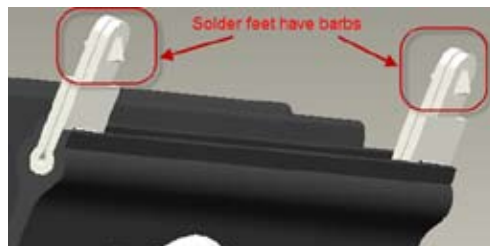
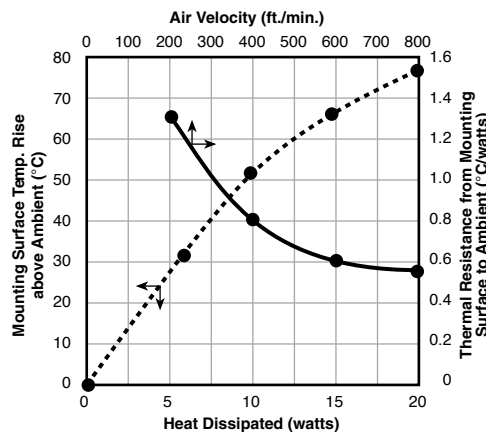
### SERIES SPECIFICATIONS

Heatsink Part Number	Mount	Surface Area (in <sup>2</sup> / mm <sup>2</sup> )	Weight (oz / g)	Length L or Height H (mm)	Surface Finish
VM1-038-1AE	vertical				
VM2-038-1AE	horizontal	39.6 / 25,546	1.48 / 42	38.6	anodized
VM3-038-1AE	universal				

### CHARACTERISTICS

<b>Heat Sink</b>	Aluminum Alloy 6063-T5 or Equivalent with either degreased or black anodized finish
<b>Solder Foot</b>	Cold-rolled Steel, Per ASTM A-366 with pure tin over copper strike. RoHS compliant. Barbed for secure attachment
<b>Interface Thermal Resistance</b>	for improvement, use thermal joint compound, 0.005 Grafoil (TGon 800 by Laird), or phase change material (Hi-Flow by Bergquist) Insulator (Optional) Sil-Pad 900-S, K6 800-S and K10 by Bergquist

#### Heat Dissipation



(continued)

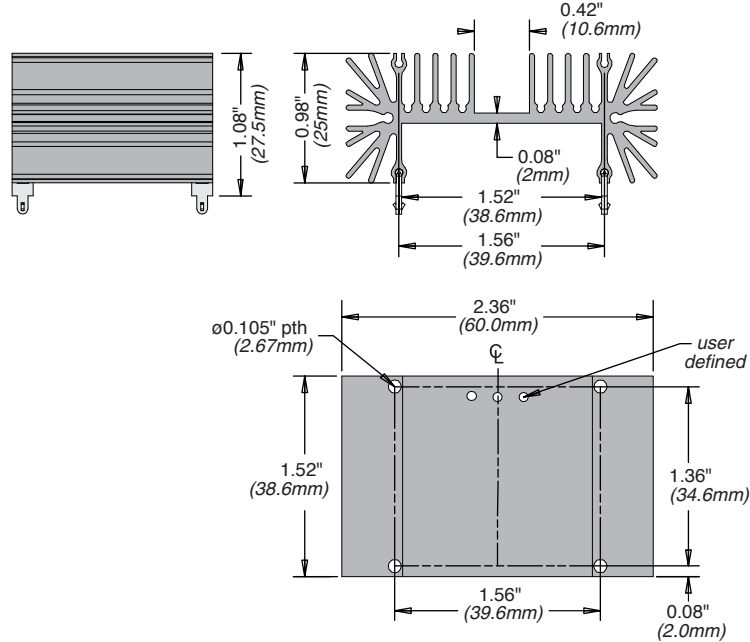
# VM Series

## Variable Mount Heatsink Series

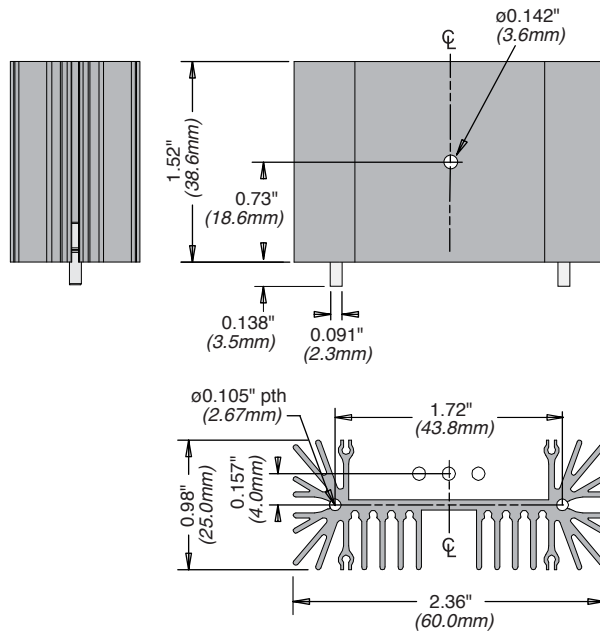
### DIMENSIONS

(in./mm)

#### Horizontal Configuration




#### Vertical Configuration



### HOW TO ORDER

**Finish**  
A = black anodized  
V = degreased

**VM1-038-1AE**

Series Mount Length Configuration  RoHS compliant  
1 = Vertical (mm) 1 = 1 hole (TO-247, TO-220)  
2 = Horizontal  
3 = Universal