

SL10K



RoHS Compliant



Miniature Power Rocker Switches

UL CSA VDE

Features

1. **UL** , **CSA** and **VDE** approved products.
2. Snap-in panel mounting
3. Compact size is suited for space-saving design.
4. Best suited for power supply of equipment.
5. 100 A rush current type.
6. Breaking distance is 3 mm or over.

Specifications

Rating	Load	Inductive load				Resistive load
	Inrush current (p.f.=0.6)	125VAC		250VAC		
		100A	60A	60A	36A	
Break current (p.f.=0.9)	10A	10A	6A	6A		
Min. rating	10mA 5V AC/DC					
Initial contact resistance	20mΩ max. (1A 2~4VDC)					
Dielectric strength	1500VAC 1 minute (Between terminals)					
Insulation resistance	100MΩ min(500VDC) (Between terminals)					
Electrical life (cycles)	10,000	20,000	10,000	10,000	10,000	
Operating force	3.92~12.7N					
Operating temperature range	-25~+85°C					
Storage temperature range	-40~+85°C					

Part Numbering

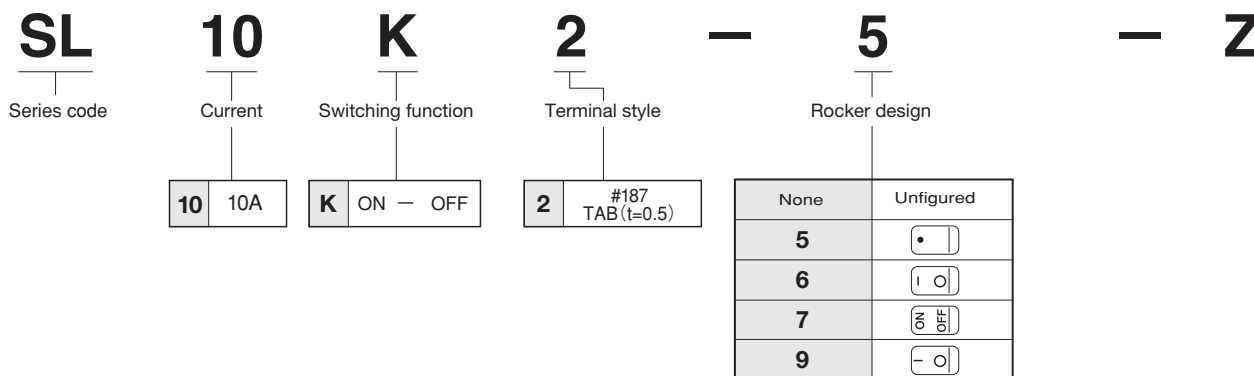



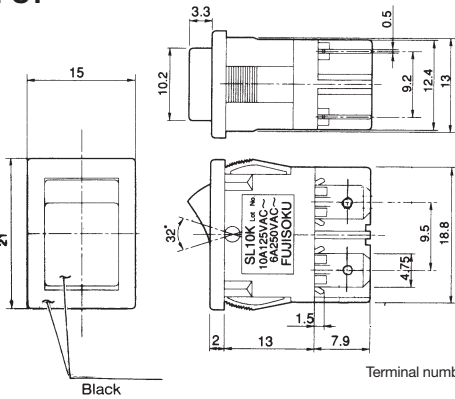
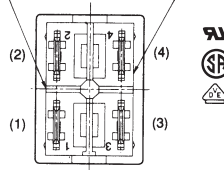
Table of Part Numbers

Frame color and rocker color	Terminal styles	Switching function				
Black	TAB	ON—OFF	Part No. and rating marking side			
			☆SL10K2—Z	SL10K2—5—Z	SL10K2—6—Z	SL10K2—7—Z ★SL10K2—9—Z

●For made-to-order products, we accept orders for indication of letters, codes, etc., on the top surface of rocker.

SL10K



SL10K2-Z DPST

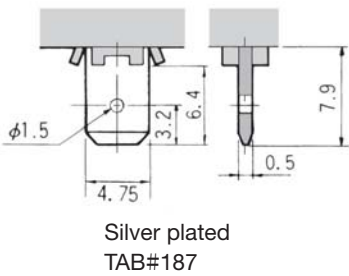
Part number and rating marking side

UL-CSA & VDE marking

Terminal numbers are shown on the bottom of the switch.

Switching function	Viewed from part No. & rating marking side	
		
Part No.		
SL10K2-Z	ON	OFF
SL10K2-5-Z		
SL10K2-6-Z		
SL10K2-7-Z		
SL10K2-9-Z		
Connecting terminals	1-2 3-4	-

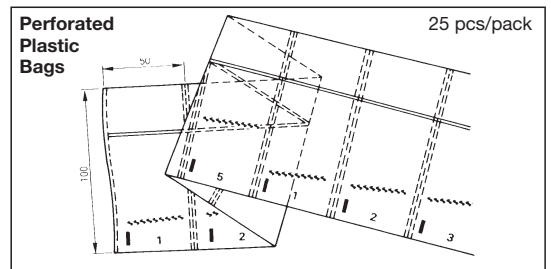
Terminal Style



Approvals

UL File No.E43275
 CSA File No.LR38341
 VDE License No.40024519
 (SL10K·SLE10K)

Packaging Specification



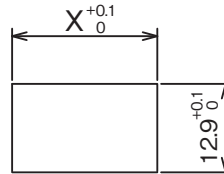
Panel Cut-Out Dimensions

Switches

Panel thickness	X
0.75~1.25	19.2
1.25~3.5	19.4

Switch Guard Installation

Panel thickness	X
0.75~2.8	19.4



Handling Precautions

1. Soldering Specifications

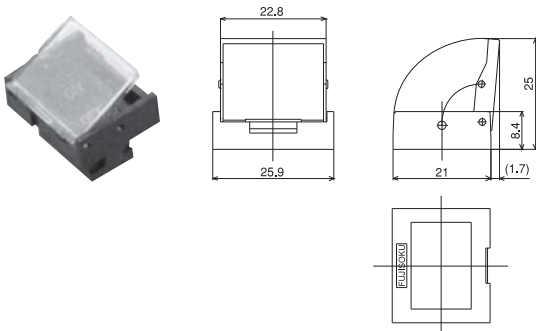
- (1) Manual Soldering
 - Device : Soldering iron
 - 350°C, Max.; 5 seconds, Max.

2. Precautions for panel mounting

Page 314

Switch Guard

Dedicated for use of rocker switches



Features

Clear visibility and one-touch mounting to save labor.

Uses

Small Rocker Switch
 Best suited for malfunction prevention of miniature rocker switches (panel cutout dimensions: 19.2 x 12.9)

Specifications

Part Name : Switch guard
 Part Number : 140007250027
 Color : Black (transparent cover)