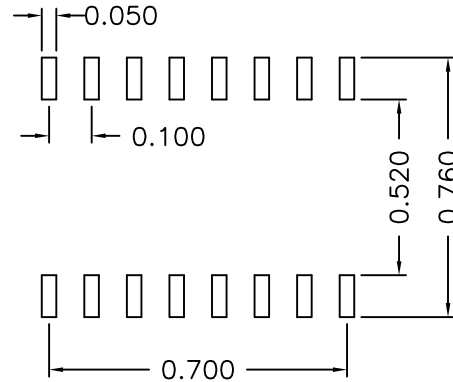
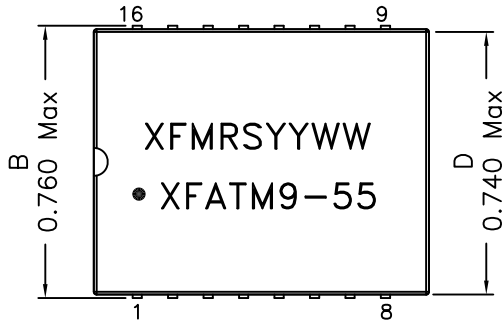
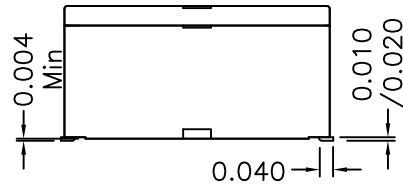
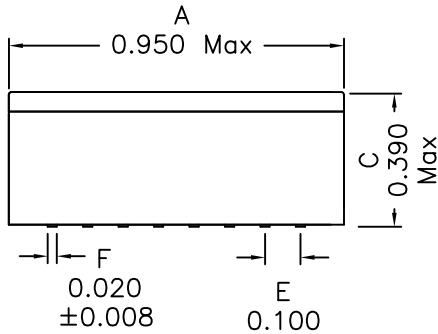


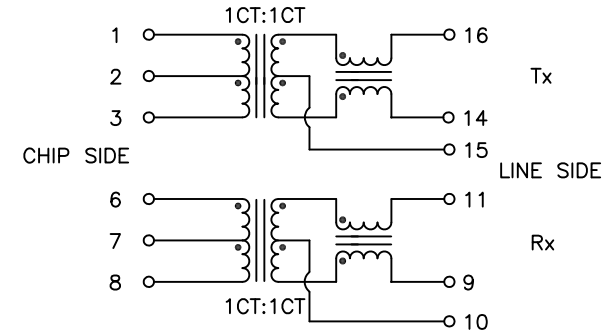
1. Mechanical Dimensions:



Notes:

1. Solderability: Leads shall meet MIL-STD-202G, Method 208H for solderability.
2. Flammability: UL94V-0
3. ASTM oxygen index: > 28%
4. Insulation System: Class F 155°C. UL file E151556
5. Operating Temperature Range: All listed parameters are to be within tolerance from -55°C to +125°C
6. Storage Temperature Range: -55°C to +125°C
7. Aqueous wash compatible
8. SMD Lead Coplanarity: ±0.004"(0.102mm)
9. Electrical and mechanical specifications 100% tested
10. RoHS Compliant Component
11. Recommended IR Reflow peak temp of 250°C Max.

2. Schematic:



3. Electrical Specifications: @25°C

- UTP Impedance: 100 OHMS
- Turns Ratio: TX: 1CT:1CT (±2%) RX: 1CT:1CT (±2%)
- Isolation Voltage: 1500 Vrms (CHIP to LINE)
- UTP Side OCL: 350uH Mini @100KHz, 100mV 8mADC
- UTP Side Q: 18 Min @100KHz, 100mV
- DCR: Pins 1-3, 6-8 0.55 Ohms Max (each)
Pins 11-9, 16-14 0.65 Ohms Max (each)
- Rise Time (10-90%): 2.0ns Typ
- Insertion Loss (1M-100MHz): 1.0dB Max
- Return Loss(5-100MHz): -15dB Typ
- CMRR (1-100MHz): -40dB Typ
- Crosstalk Attenuation(1-100MHz): -30dB Min
- Sec CTs Rated current: 720mA
- Sec CTs Rated voltage: 57Vdc (1000mA Max, 200mS)

PRELIMINARY

DOC. REV: A/1

| | | | |
|--|----------------|--|-----------|
| XFMR Inc. www.XFMR.com | | Title: SMD TRANSFORMER FOR 10/100Mb LAN | |
| UNLESS OTHERWISE SPECIFIED TOLERANCES: .xxx ±0.010 Dimensions in Inch | P/N: XFATM9-55 | REV. A | |
| | DWN. | Yuan | May-27-14 |
| SHEET 1 OF 1 | CHK. | YK Liao | May-27-14 |
| | APP. | Joe Huff | May-27-14 |

PROPRIETARY

Document is the property of XFMR Group & is not allowed to be duplicated without authorization.