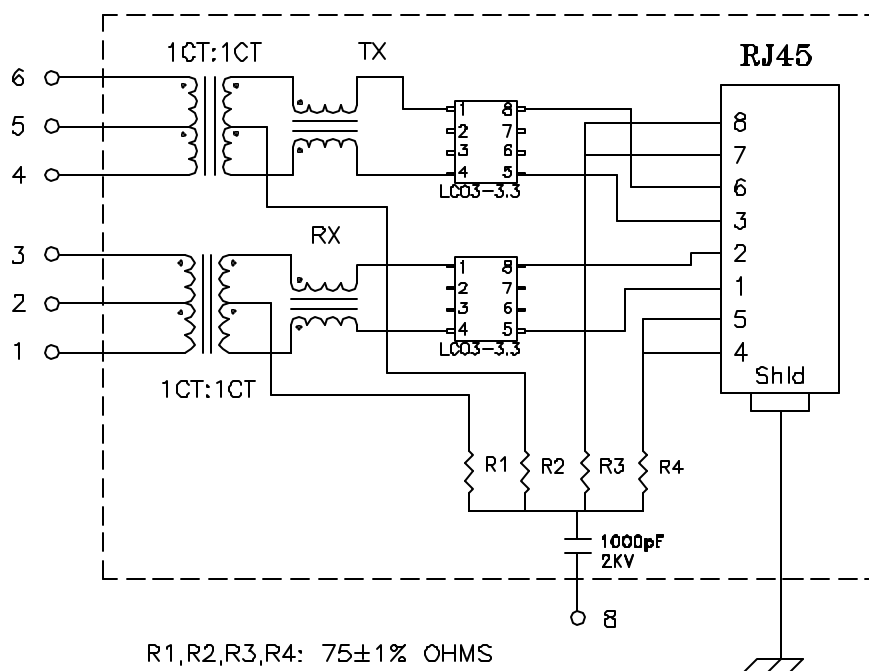


Schematic:



Electrical Specifications: @25°C

Isolation Voltage: 1500 Vrms (Input to Output)
 Isolation Voltage: 500 Vrms (P1+2+3 to P4+5+6)
 Turns Ratio: TX 1CT:1CT ±3% RX 1CT:1CT ±3%
 CABLE SIDE OCL: 350uH Minimum @100KHz 100mV 8mADC
 Cw/w: 27pF Typical @100KHz 100mV
 Insertion Loss (300KHz-100MHz): -1.00dB Max
 Return Loss: @30MHz -18dB Minimum
 @80MHz -12dB Minimum

Notes:

1. Solderability: Leads shall meet MIL-STD-202G, Method 208H for solderability.
2. Flammability: UL94V-0
3. ASTM oxygen Index: > 28%
4. Insulation System: Class F 155°C. UL file E151556
5. Operating Temperature Range: All listed parameters are to be within tolerance from -40°C to +85°C
6. Storage Temperature Range: -55°C to +125°C
7. Aqueous wash compatible
8. Electrical and mechanical specifications 100% tested
9. RoHS Compliant Component

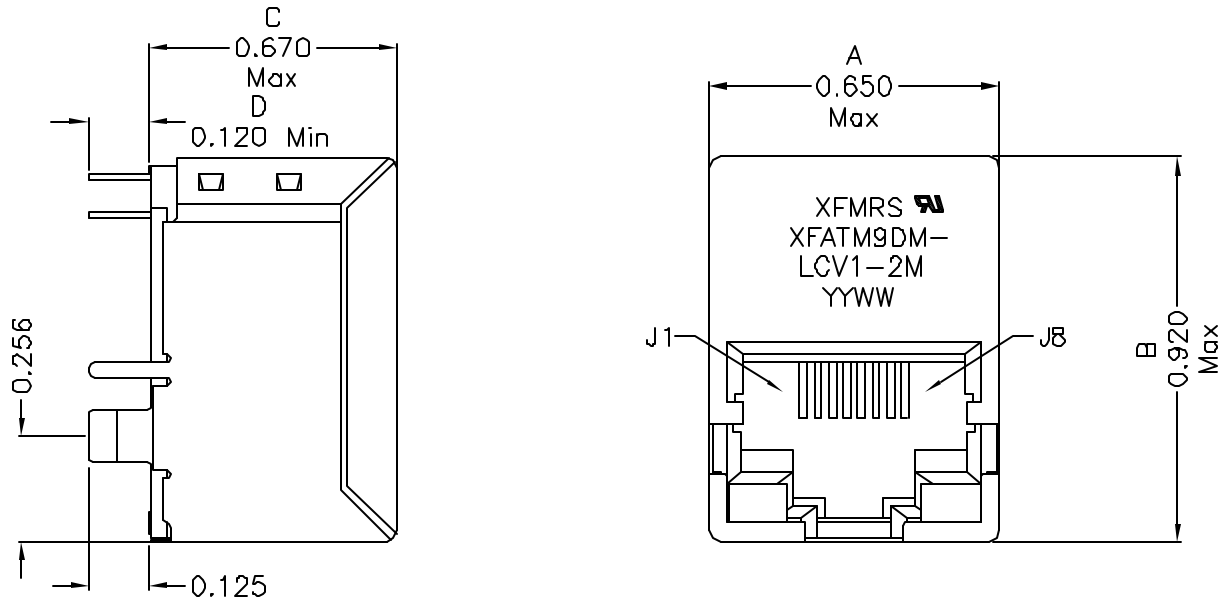
DOC REV: A/3

XFMRs Inc. www.XFMRS.com	Title: SINGLE PORT VERTICAL COMBO		
	P/N: XFATM9DM-LCV1-2M		REV. A
UNLESS OTHERWISE SPECIFIED TOLERANCES: .xxx ±0.010 Dimensions in Inch	DWN.	Kang Chen	Oct-12-07
	CHK.	YK Liao	Oct-12-07
SHEET 1 OF 2	APP.	MS	Oct-12-07

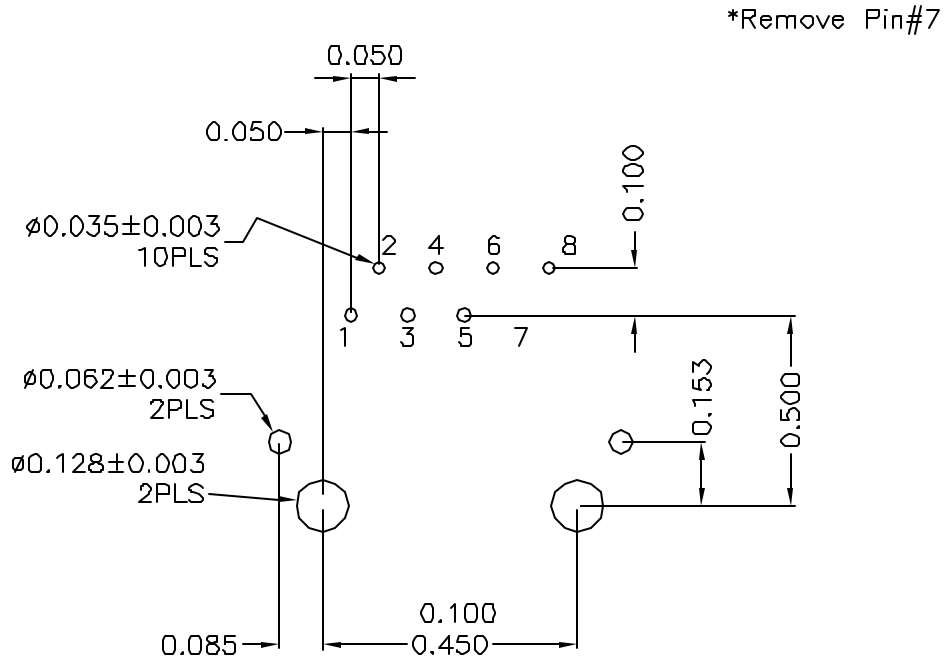
PROPRIETARY

Document is the property of XFMRs Group & is not allowed to be duplicated without authorization.

Mechanical Dimensions:



Mounting Pattern:



P.C.B RECOMMENDED HOLE LAYOUT

DOC REV: A/3

PROPRIETARY

Document is the property of XFMRS Group & is not allowed to be duplicated without authorization.

XFMRS Inc. www.XFMRS.com	Title: Mechanical Dimensions For LCV1-2M Series		
	UNLESS OTHERWISE SPECIFIED TOLERANCES: .xxx ±0.005 Dimensions in Inch	P/N:XFATM9DM-LCV1-2M	REV. A
	DWN.	Juan Mao	Oct-12-07
	CHK.	YK Liao	Oct-12-07
SHEET 2 OF 2	APP.	MS	Oct-12-07