

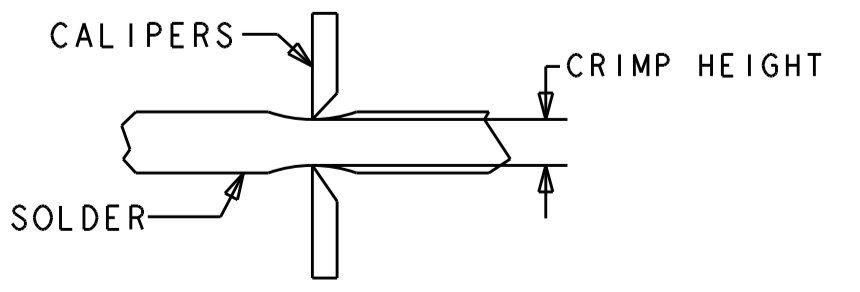
ATLANTIC VERSION TERMINATOR INTERFACE ADAPTER	PART NUMBER	REVISION	DESCRIPTION	FEED TYPE	APPLICATOR STYLE CONVERSION CHART						
					CONVERT TO	PART NUMBERS REQUIRED					
	2150253-2	B	FINE CRIMP HEIGHT ADJUST	PNEUMATIC	SERVO LATCH PLATE	2119951-1	1901697-2	8-2150253-5	-	-	2168400-7 (QUANTITY 2)
	2150253-5	B	FINE CRIMP HEIGHT ADJUST	SERVO LATCH PLATE ⁴	SMART APPLICATOR	2161326-1	-	8-2150253-4	-	-	-
	2150253-6	B	NON-CRIMP HEIGHT ADJUST	SERVO LATCH PLATE ⁴	PNEUMATIC FEED	2119950-1	2119792-1	-	2119641-1	-	2063440-1
	2150253-7	B	FINE CRIMP HEIGHT ADJUST	NONE	-	-	-	-	-	-	-
	7-2150253-7	A	CRIMP TOOLING KIT	-	-	-	-	-	-	-	-

APPLICATOR DATA		
CRIMP SIZE	WIRE	TYPE
6.02 mm [.237]	6.02 mm [.237]	D
INSUL	-	-
APPL INSTRUCTIONS 408-10390		

TERMINAL DATA: TE TERMINAL		TE CRIMP SPECIFICATION	
TERMINAL NAME: RECPT, ULTRA-FAST FLAG, .250 SERIES			
WIRE STRIP LENGTH	INSULATION DIAMETER RANGE		
7.51-8.33 mm [.296-.328 IN]	4.70mm MAX [.185 MAX]		
TERMINAL APPLICATION SPECIFICATION	114-2123		
TERMINALS APPLIED ⁹			
TE TERMINAL	TE TERMINAL	TE TERMINAL	TE TERMINAL
3-520132-2	9-520132-2	3-521127-2	

WIRE SIZE	CRIMP HEIGHT mm [INCH]	CRIMP HEIGHT REFERENCE SETTING ⁸	Ø SOLDER ¹¹
14	1.90+/-0.05 [.075+/- .002]	6.7	.19 in [4.83mm]
16	1.78+/-0.05 [.070+/- .002]	8.0	.19 in [4.83mm]

- ¹ RECOMMENDED SPARE PARTS
- ² GREASE BEARING SURFACES LIGHTLY
- 3. LUBRICATE DAILY PER THE APPLICATOR INSTRUCTION SHEET SUPPLIED WITH THE APPLICATOR.
- ⁴ APPLICATOR SPECIFIC DATA TO BE ENTERED INTO BLANK MEMORY CHIP AT ASSEMBLY. SEE BELOW FOR PART NUMBER:
 PNEUMATIC FEED WITH "SMART APPLICATOR" CONVERSION: 8-2150253-4
 SERVO FEED WITH "FINE CRIMP HEIGHT ADJUST": 8-2150253-5
 SERVO FEED WITH "NON-CRIMP HEIGHT ADJUST": 8-2150253-6
- 5. ADJUSTMENT OF THE STRIPPER MAY BE REQUIRED WHEN MOVING THE APPLICATOR BETWEEN BENCH AND LEADMAKER APPLICATIONS.
- ⁶ GREASE THREADS, GROOVE AND O-RING ON ITEMS 35 & 252.
- ⁷ MAGNET, ITEM 166 MUST BE ORIENTED CORRECTLY IN ORDER TO PROPERLY ACTUATE THE COUNTER.
- ⁸ CRIMP HEIGHT REFERENCE SETTING WAS THE SETTING USED WHEN THE APPLICATOR WAS QUALIFIED AT THE FACTORY. ADJUSTMENT MAY BE NECESSARY WHEN RUNNING APPLICATOR IN THE FIELD.
- ⁹ TERMINAL PITCH NOT COMPATIBLE WITH MECHANICAL FEED.
- ¹⁰ WHEN ASSEMBLING -6 NON-CRIMP HEIGHT ADJUST APPLICATOR USE SHIM PACK 2119957-2 TO ALIGN APPLICATOR'S MAXIMUM WIRE CRIMP HEIGHT AT NORMAL TERMINATOR SHUT HEIGHT
- ¹¹ TO CHECK CRIMP HEIGHT. CRIMP SOLDER (Ø .19 IN [4.83mm] 60/40 SOLID CORE) AND MEASURE AT CENTER OF SLUG.



¹² APPLY PART NUMBER 1-23419-5 LOCTITE TO THREADS OF ITEM 62. FOR -6 ONLY APPLY PART NUMBER 1-23419-5 LOCTITE TO THREADS OF ITEM 37.

***WARNING**
 ON INSTALLATION, SET WIRE DISC, ITEM 40 TO LARGEST WIRE SIZE SETTING. USE OF SETTINGS BELOW MINIMUM REQUIRED CRIMP HEIGHT SETTING WILL CAUSE DAMAGE TO CRIMP TOOLING.

SET UP GAUGE	LOC	DIST	REVISIONS			
2119599-2	A	66	REV	DATE	BY	APPD
			A	RELEASED		
			A1	ECR-13-012598	08AUG2013	XZ TE
			B	ECR-14-003864	14MAR2014	YY UG

-	1	1	1	1	2119644-8	RAM WASHER, PRECISION	261
-	-	1	-	-	2119957-2	APPLICATOR SHIM PACK	260
-	1	-	1	1	8-21084-0	O-RING, .676 ID, .070 DIA. MAT.	252
-	-	-	-	1	2119640-1	PUSH ROD, AIR FEED	250
-	-	-	-	1	2079988-1	BUSHING, LCH5-12, MISUMI	249
-	-	-	-	1	2119641-1	FEED CAM, AIR FEED	248
-	1	-	1	1	2119798-1	DETENT PIN	247
-	1	-	1	1	1-22279-3	SPRING, COMPRESSION	246
-	-	1	-	-	2119759-1	RAM, AMP STYLE, END FEED, NON-ADJUST	245
-	-	2	2	-	2168400-7	SHCS, LOW HEAD, RoHS, M5 X 10	240
-	-	-	-	1	2063440-1	AIR FEED MODULE	238
-	-	1	1	-	2119740-2	TAG, IDENTIFICATION	213
-	1	1	1	1	467281-1	RETAINER, SHEAR, FLOATING	207
-	1	1	1	1	2161936-1	HOLDER, SHEAR, FLOATING	206
-	1	1	1	1	467500-1	SHEAR, FLOATING	205
-	-	1	1	-	1976043-1	PIN, BALL LOCK, THREADED	187
-	-	1	1	-	1901697-2	FEED FINGER ASSEMBLY, EF	183
-	-	-	-	2	21045-3	RING, RETAIN, EXTERN, 3/16 CRESCENT	172
-	1	1	1	1	994969-1	MAGNET, RARE EARTH HIGH ENERGY	166
-	REF	REF	REF	REF	994970-2	COUNTER, MAGNETIC	164
-	-	-	-	1	240638-1	SPRING, FEED FINGER	163
-	1	1	1	1	2161937-1	STABILIZER	154
-	-	-	-	1	3-23627-7	PIN, RETAIN, GRVD, 3/16 X .854	137
-	-	REF	REF	-	SEE NOTE 4	MEMORY CHIP, PROGRAMMED	135
-	-	1	1	-	1633743-1	SERVO FEED LATCH ASM	133
-	1	1	1	1	455888-5	SPACER, CRIMPER	82
-	1	1	1	1	2119956-2	DOCUMENTATION PACKAGE	71
-	1	1	1	1	3-18032-3	SCR, SET, FLT POINT M3 X 20.0	70
-	1	1	1	1	2-18032-2	SCR, SET, FLT POINT M3 X 10.0	69
-	1	-	-	1	2119740-1	TAG, IDENTIFICATION	67
-	2	2	2	2	2168078-1	SCREW, DRIVE, RH, RoHS, 2 x .188	66
-	1	-	1	1	2119793-1	LIMITER, ADJUSTMENT BOLT	63
-	3	3	3	3	992763-5	SCR, SET, SOC, CONE POINT, M3 x 4.0	62
-	3	3	3	3	2079383-4	SCR, BHSC, RoHS (M4 X 8)	60
-	4	4	4	4	2168400-1	SHCS, LOW HEAD, RoHS, M4 X 12	57
-	2	2	2	2	2168083-2	SCR, SKT HD CAP, RoHS, M4 X 8.0	56
-	2	2	2	2	5018030-1	NUT, HEX, REG, RoHS, M3	54
-	2	2	2	2	986965-8	NUT, LOCK, HEX, TORQUE (M4)	53
-	-	-	-	1	2161952-1	PAWL, EF, AIR	51
-	-	-	-	1	18023-9	SCR, SKT HD CAP M4 X 6.0	49
-	1	1	1	1	1-2119655-5	APPLICATOR BASIC ASSEMBLY, EF	46
-	1	-	1	1	2119369-1	RAM, AMP STYLE, END FEED	44
-	1	1	1	1	2079383-7	SCR, BHSC, RoHS (M8 X 25)	41
-	1	-	1	1	2119645-1	DISC, NUMBERED FA WIRE ADJUSTMENT	40
-	1	-	1	1	2119957-1	APPLICATOR SHIM PACK	39
-	1	1	1	1	2119644-5	RAM WASHER, PRECISION	38
-	1	1	1	1	2119085-1	FA HEAD, ATLANTIC STYLE	37
-	2	2	2	2	5-22278-1	SPRING, COMPRESSION	36
-	1	-	1	1	2119092-1	BOLT, ADJUSTMENT	35
-	8	8	8	8	1-18028-2	WASHER, FLAT, REG M4	33
-	2	2	2	2	2079383-4	SCR, BHSC, RoHS (M4 X 8)	31
-	2	2	2	2	1-2168083-0	SCR, SKT HD CAP, RoHS, M4 X 10	29
-	1	1	1	1	240639-1	STRIPPER (MACHINING)	27
-	2	2	2	2	1-2168083-6	SCR, SKT HD CAP, RoHS, M4 X 35	25
-	1	1	1	1	2161941-1	PLATE, GUIDE, STRIP	24
-	2	2	2	2	2-22281-3	SPRING, COMPRESSION	22
-	1	1	1	1	2161948-1	DRAG	20
-	1	1	1	1	683736-1	GUIDE, STRIP, REAR	19
-	1	1	1	1	683737-1	FRONT STRIP GUIDE	18
-	4	4	4	4	1-2079383-1	SCR, BHSC, RoHS (M6 X 12)	17
-	1	1	1	1	4-22280-7	SPRING, COMPRESSION	13
-	1	1	1	1	2161935-2	ANVIL, RIGHT HAND	8
-	1	1	1	1	2161957-1	DEPRESSOR, SHEAR	5
-	1	1	1	1	238009-1	BLOCK, FL CRIMPER SPACER	4
-	1	1	1	1	2161331-1	SPACER, WIRE FUNNEL DEPRESSOR	2
-	1	1	1	1	467342-2	CRIMPER, RIGHT HAND	1

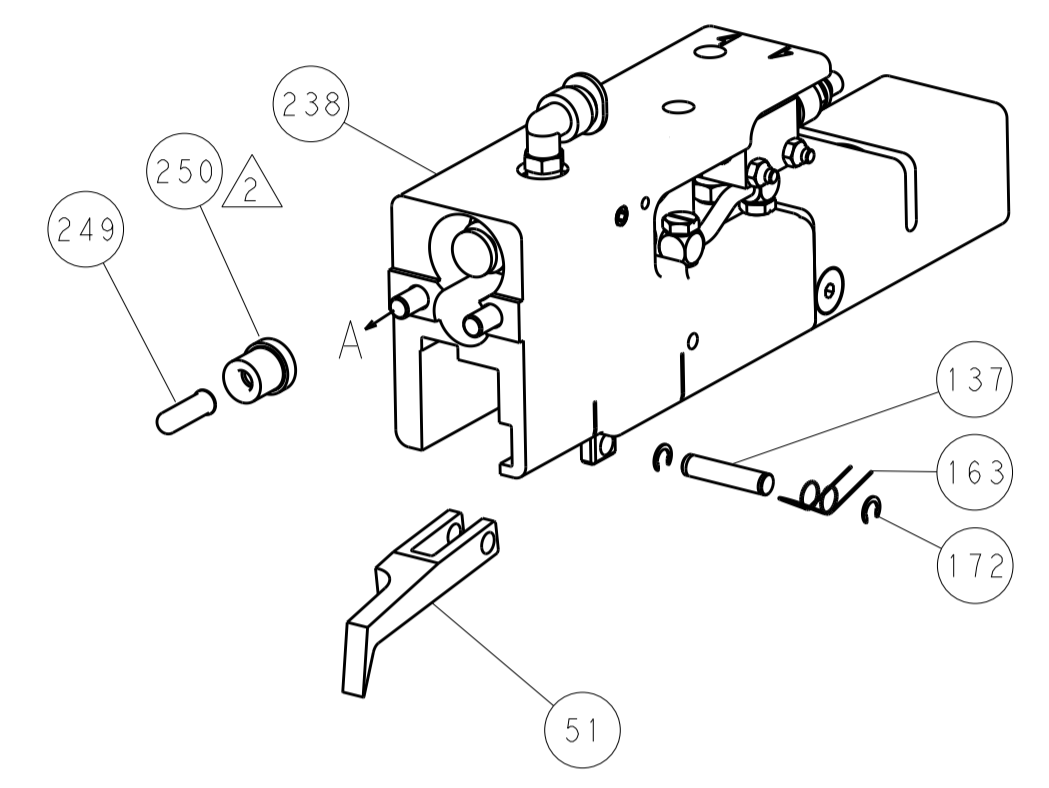
DIMENSIONS:		TOLERANCES UNLESS OTHERWISE SPECIFIED:		MATERIAL:		FINISH:		WEIGHT:		SCALE:	
mm	0 PLC ±.5	1 PLC ±.13	2 PLC ±.013	3 PLC ±.0013	4 PLC ±.0001	ANGLES	±.0001				
MATERIAL:				FINISH:				WEIGHT:			
Customer Accessible Production Drawing				SCALE: 1:1				SHEET 1 OF 4			

ATLANTIC VERSION
 Shown on sheets 1 of 4 & 2 of 4
 (Pacific version shown on sheets 3 of 4 & 4 of 4)

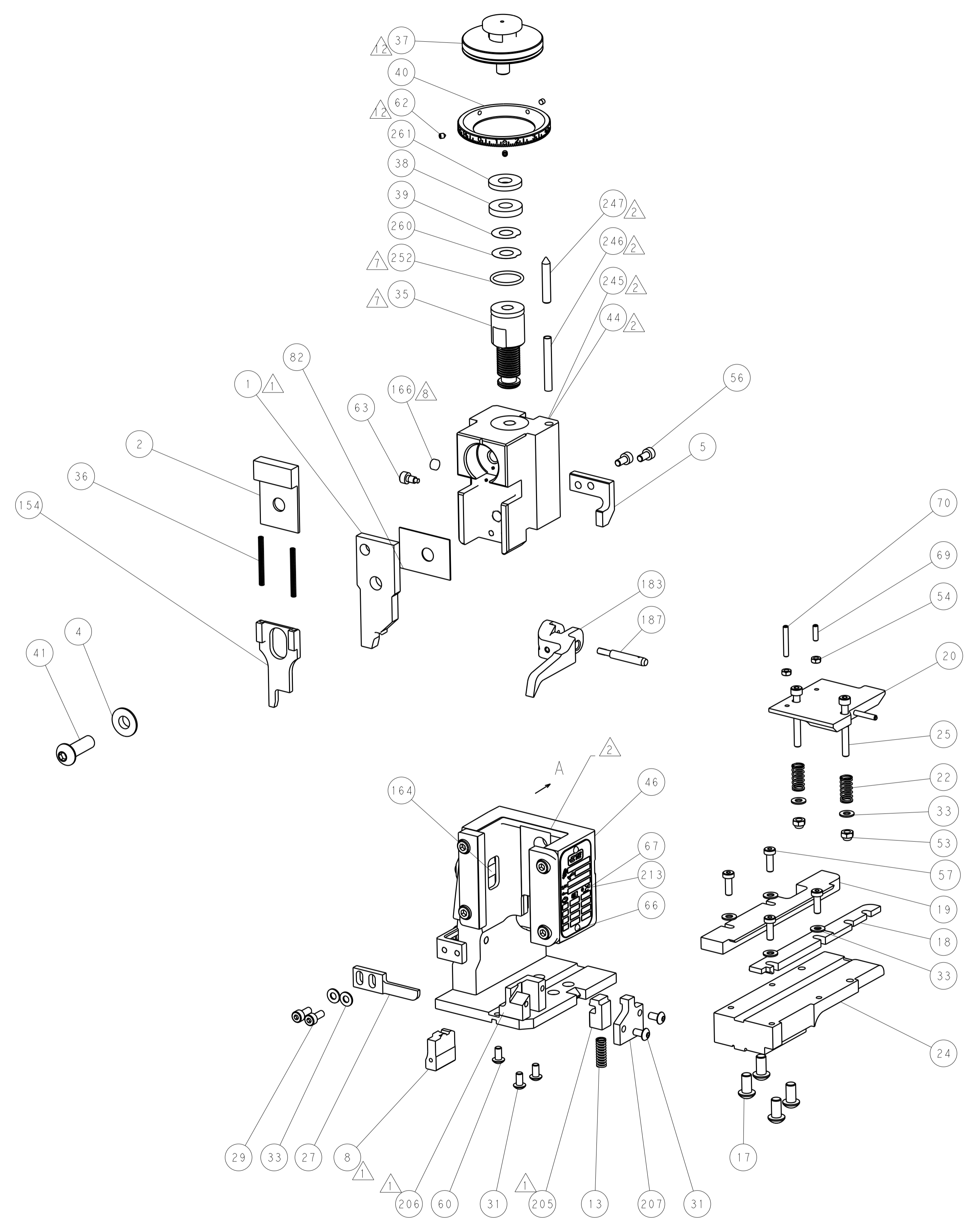
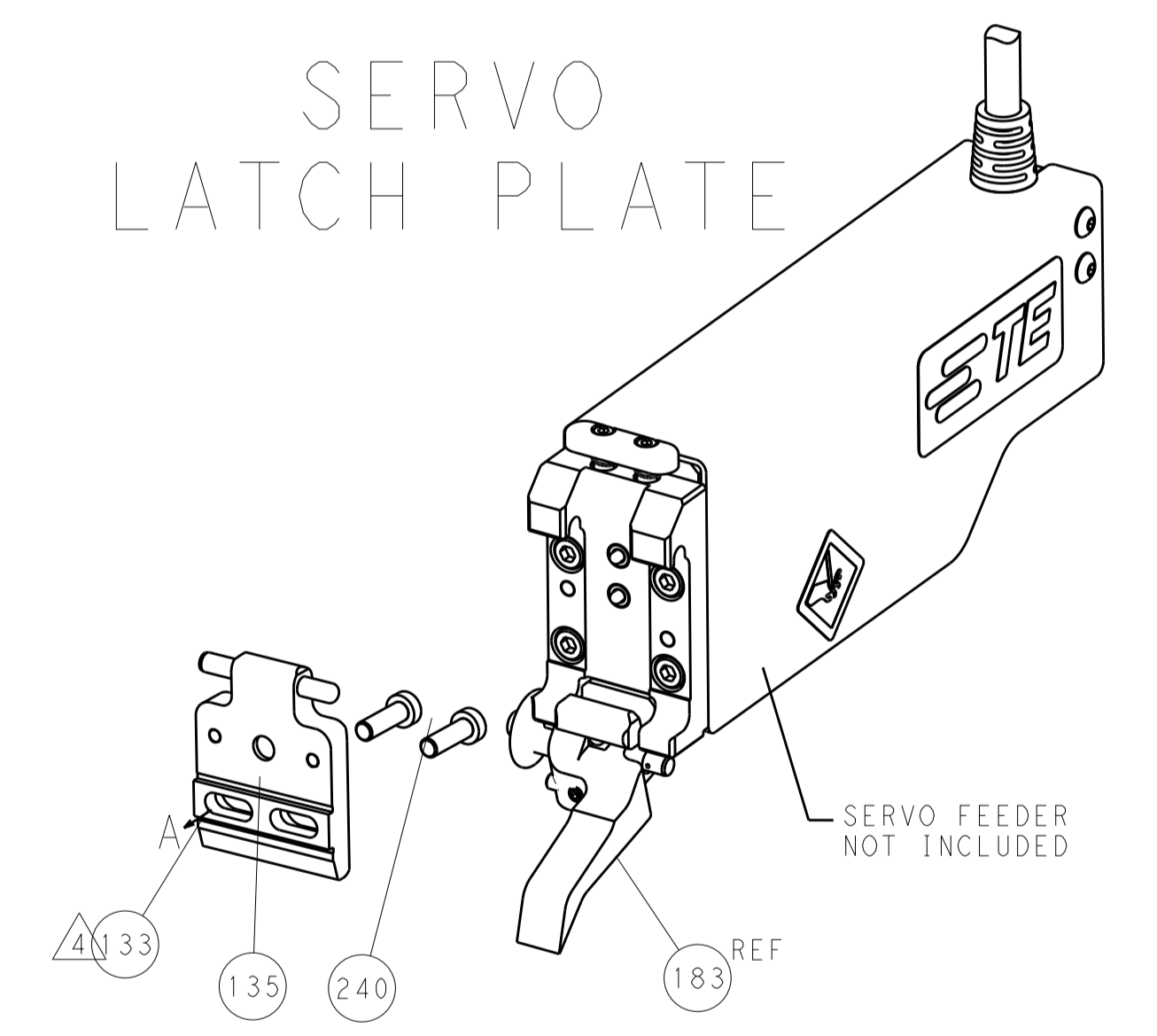
LOC	DIST	REV	DATE	BY	APPV
A	66				

FEED TYPE

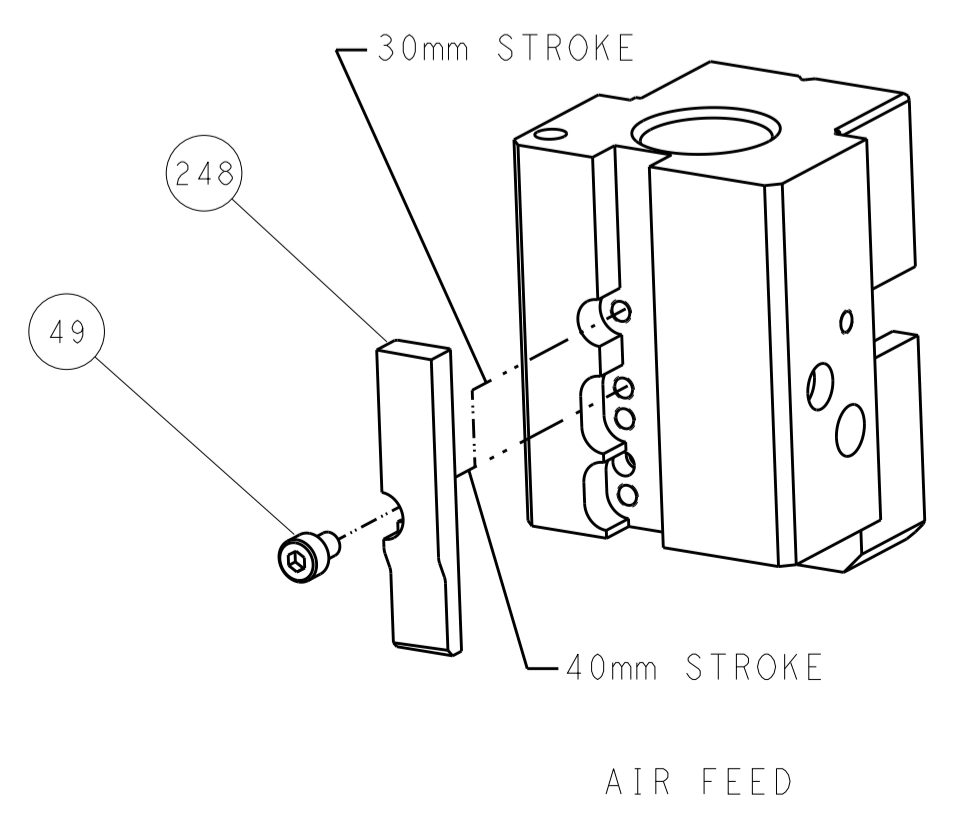
PNEUMATIC



SERVO LATCH PLATE



CAM POSITION



ATLANTIC VERSION
 Shown on sheets 1 of 4 & 2 of 4
 (Pacific version shown on sheets 3 of 4 & 4 of 4)

DIMENSIONS: mm 		TOLERANCES UNLESS OTHERWISE SPECIFIED: 0 PLC ±.5 1 PLC ±0.5 2 PLC ±0.13 3 PLC ±0.013 4 PLC ±0.001 ANGLES ±.1		DWN: HOFFNER 10MAY2012 CHK: T.ELBIN 11MAY2012 APPV: T.ELBIN 11MAY2012		TE Connectivity Harrisburg, PA 17105-3608	
MATERIAL:		FINISH:		WEIGHT:		NAME: Ocean End Feed Applicator	
CUSTOMER ACCESSIBLE PRODUCTION DRAWING		SCALE: 1:1		SHEET 2 OF 4		REV B	

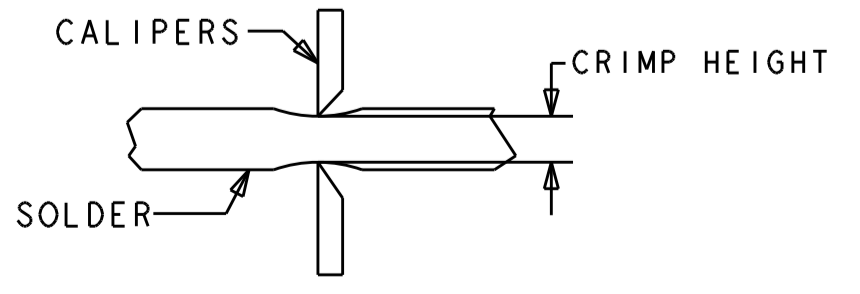
PACIFIC VERSION TERMINATOR INTERFACE ADAPTER	PART NUMBER	REVISION	DESCRIPTION	FEED TYPE	APPLICATOR STYLE CONVERSION CHART						
					CONVERT TO	PART NUMBERS REQUIRED					
	2-2150253-2	B	FINE CRIMP HEIGHT ADJUST	PNEUMATIC	SERVO LATCH PLATE	2119951-1	1901697-2	8-2150253-5	-	-	2168400-7 (QUANTITY 2)
	2-2150253-5	B	FINE CRIMP HEIGHT ADJUST	SERVO LATCH PLATE ⁴	SMART APPLICATOR	2161326-1	-	8-2150253-4	-	-	-
	2-2150253-7	B	FINE CRIMP HEIGHT ADJUST	NONE	PNEUMATIC FEED	2119950-1	2119792-1	-	2119641-2	-	2063440-1
	7-2150253-7	A	CRIMP TOOLING KIT	-	-	-	-	-	-	-	-

APPLICATOR DATA		
CRIMP	SIZE	TYPE
WIRE	6.02 mm [.237]	D
INSUL	-	-
APPL INSTRUCTIONS 408-10390		

TERMINAL DATA: TE TERMINAL		TE CRIMP SPECIFICATION
TERMINAL NAME: RECPT, ULTRA-FAST FLAG, .250 SERIES		
WIRE STRIP LENGTH 7.51-8.33 mm [.296-.328 IN]		INSULATION DIAMETER RANGE 4.70mm MAX [.185 MAX]
TERMINAL APPLICATION SPECIFICATION 114-2123		-
TERMINALS APPLIED ⁹		
TE TERMINAL	TE TERMINAL	TE TERMINAL
3-520132-2	9-520132-2	3-521127-2

WIRE SIZE	CRIMP HEIGHT mm [INCH]	CRIMP HEIGHT REFERENCE SETTING ⁸	Ø SOLDER ¹⁰
14	1.90 +/- 0.05 [.075 +/- .002]	6.7	.19 in [4.83mm]
16	1.78 +/- 0.05 [.070 +/- .002]	8.0	.19 in [4.83mm]

- ¹ RECOMMENDED SPARE PARTS
- ² GREASE BEARING SURFACES LIGHTLY
- 3. LUBRICATE DAILY PER THE APPLICATOR INSTRUCTION SHEET SUPPLIED WITH THE APPLICATOR.
- ⁴ APPLICATOR SPECIFIC DATA TO BE ENTERED INTO BLANK MEMORY CHIP AT ASSEMBLY. SEE BELOW FOR PART NUMBER:
 PNEUMATIC FEED WITH "SMART APPLICATOR" CONVERSION: 8-2150253-4
 SERVO FEED WITH "FINE CRIMP HEIGHT ADJUST": 8-2150253-5
- 5. ADJUSTMENT OF THE STRIPPER MAY BE REQUIRED WHEN MOVING THE APPLICATOR BETWEEN BENCH AND LEADMAKER APPLICATIONS.
- ⁶ GREASE THREADS, GROOVE AND O-RING ON ITEMS 139 & 153.
- ⁷ MAGNET, ITEM 166 MUST BE ORIENTED CORRECTLY IN ORDER TO PROPERLY ACTUATE THE COUNTER.
- ⁸ CRIMP HEIGHT REFERENCE SETTING WAS THE SETTING USED WHEN THE APPLICATOR WAS QUALIFIED AT THE FACTORY. ADJUSTMENT MAY BE NECESSARY WHEN RUNNING APPLICATOR IN THE FIELD.
- ⁹ TERMINAL PITCH NOT COMPATIBLE WITH MECHANICAL FEED.
- ¹⁰ TO CHECK CRIMP HEIGHT. CRIMP SOLDER (Ø .19 IN [4.83mm] 60/40 SOLID CORE) AND MEASURE AT CENTER OF SLUG.



¹¹ APPLY PART NUMBER 1-23419-5 LOCTITE TO THREADS OF ITEM 62.

***WARNING**
 ON INSTALLATION, SET WIRE DISC, ITEM 40 TO LARGEST WIRE SIZE SETTING. USE OF SETTINGS BELOW MINIMUM REQUIRED CRIMP HEIGHT SETTING WILL CAUSE DAMAGE TO CRIMP TOOLING.

PACIFIC VERSION
 Shown on sheets 3 of 4 & 4 of 4
 (Atlantic version shown on sheets 1 of 4 & 2 of 4)

SET UP GAUGE	LOC	DIST	REVISIONS			
2119599-2	A	66	REV	DATE	BY	APPV
-	-	-	SEE SHEET 1	-	-	-

-	1	1	1	2119644-8	RAM WASHER, PRECISION	261
-	1	1	1	2119782-1	FINE ADJUST HEAD ASM, PACIFIC STYLE	251
-	-	-	1	2119640-1	PUSH ROD, AIR FEED	250
-	-	-	1	2079988-1	BUSHING, LCH5-12, MISUMI	249
-	1	1	1	1-22279-3	SPRING, COMPRESSION	246
-	-	2	-	2168400-7	SHCS, LOW HEAD, RoHS, M5 X 10	240
-	-	-	1	2063440-1	AIR FEED MODULE	238
-	-	1	-	2119740-2	TAG, IDENTIFICATION	213
-	1	1	1	467281-1	RETAINER, SHEAR, FLOATING	207
-	1	1	1	2161936-1	HOLDER, SHEAR, FLOATING	206
-	1	1	1	467500-1	SHEAR, FLOATING	205
-	-	1	-	1976043-1	PIN, BALL LOCK, THREADED	187
-	4	4	4	2079383-9	SCR, BHSC, RoHS (M6 X 20)	186
-	-	1	-	1901697-2	FEED FINGER ASSEMBLY, EF	183
-	-	-	2	21045-3	RING, RETAIN, EXTERN, 3/16 CRESCENT	172
-	1	1	1	994969-1	MAGNET, RARE EARTH HIGH ENERGY	166
-	REF	REF	REF	994970-2	COUNTER, MAGNETIC	164
-	-	-	1	240638-1	SPRING, FEED FINGER	163
-	1	1	1	2161937-1	STABILIZER	154
-	1	1	1	8-21084-1	O-RING, .801 ID, .070 DIA. MAT.	153
-	-	-	1	2119641-2	FEED CAM, AIR FEED	152
-	1	1	1	2119798-2	DETENT PIN	145
-	3	3	3	2079383-8	SCR, BHSC, RoHS (M4 X 16)	144
-	1	1	1	1-2119655-6	APPLICATOR BASIC ASSEMBLY, EF	141
-	1	1	1	2119651-1	RAM, ASIAN STYLE, END FEED	140
-	1	1	1	2119092-2	BOLT, ADJUSTMENT	139
-	-	-	1	3-23627-7	PIN, RETAIN, GRVD, 3/16 X .854	137
-	-	REF	-	SEE NOTE 4	MEMORY CHIP, PROGRAMMED	135
-	-	1	-	1633743-1	SERVO FEED LATCH ASM	133
-	1	1	1	455888-5	SPACER, CRIMPER	82
-	1	1	1	2119956-2	DOCUMENTATION PACKAGE	71
-	1	1	1	3-18032-3	SCR, SET, FLT POINT M3 X 20.0	70
-	1	1	1	2-18032-2	SCR, SET, FLT POINT M3 X 10.0	69
-	1	-	1	2119740-1	TAG, IDENTIFICATION	67
-	2	2	2	2168078-1	SCREW, DRIVE, RH, RoHS, 2 x .188	66
-	1	1	1	2119793-1	LIMITER, ADJUSTMENT BOLT	63
-	3	3	3	992763-5	SCR, SET, SOC, CONE POINT, M3 X 4.0	62
-	4	4	4	2168400-1	SHCS, LOW HEAD, RoHS, M4 X 12	57
-	2	2	2	2168083-2	SCR, SKT HD CAP, RoHS, M4 X 8.0	56
-	2	2	2	5018030-1	NUT, HEX, REG, RoHS, M3	54
-	2	2	2	986965-8	NUT, LOCK, HEX, TORQUE (M4)	53
-	-	-	1	2161952-1	PAWL, EF, AIR	51
-	-	-	1	18023-9	SCR, SKT HD CAP M4 X 6.0	49
-	1	1	1	2079383-7	SCR, BHSC, RoHS (M8 X 25)	41
-	1	1	1	2119645-1	DISC, NUMBERED FA WIRE ADJUSTMENT	40
-	1	1	1	2119957-1	APPLICATOR SHIM PACK	39
-	1	1	1	2119644-5	RAM WASHER, PRECISION	38
-	2	2	2	5-22278-1	SPRING, COMPRESSION	36
-	8	8	8	1-18028-2	WASHER, FLAT, REG M4	33
-	2	2	2	2079383-4	SCR, BHSC, RoHS (M4 X 8)	31
-	2	2	2	1-2168083-0	SCR, SKT HD CAP, RoHS, M4 X 10	29
-	1	1	1	240639-1	STRIPPER (MACHINING)	27
-	2	2	2	1-2168083-6	SCR, SKT HD CAP, RoHS, M4 X 35	25
-	1	1	1	2161941-1	PLATE, GUIDE, STRIP	24
-	2	2	2	2-22281-3	SPRING, COMPRESSION	22
-	1	1	1	2161948-1	DRAG	20
-	1	1	1	683736-1	GUIDE, STRIP, REAR	19
-	1	1	1	683737-1	FRONT STRIP GUIDE	18
-	1	1	1	4-22280-7	SPRING, COMPRESSION	13
-	1	1	1	2161935-2	ANVIL, RIGHT HAND	8
-	1	1	1	2161957-1	DEPRESSOR, SHEAR	5
-	1	1	1	238009-1	BLOCK, FL CRIMPER SPACER	4
-	1	1	1	2161331-1	SPACER, WIRE FUNNEL DEPRESSOR	2
-	1	1	1	467342-2	CRIMPER, RIGHT HAND	1

DIMENSIONS:		TOLERANCES UNLESS OTHERWISE SPECIFIED:		DWG		NAME	
mm	0 PLC ±.5	1 PLC ±.5	2 PLC ±.13	3 PLC ±.03	4 PLC ±.0001	ANGLES ±.0001	FINISH
MATERIAL				WEIGHT		SCALE	
-				-		-	

CHK	DATE	REV	DESCRIPTION
HOFFNER	10MAY2012		
ELBIN	11MAY2012		
ELBIN	11MAY2012		

SIZE	CAGE CODE	DRAWING NO	RESTRICTED TO
A1	00779	2150253	-

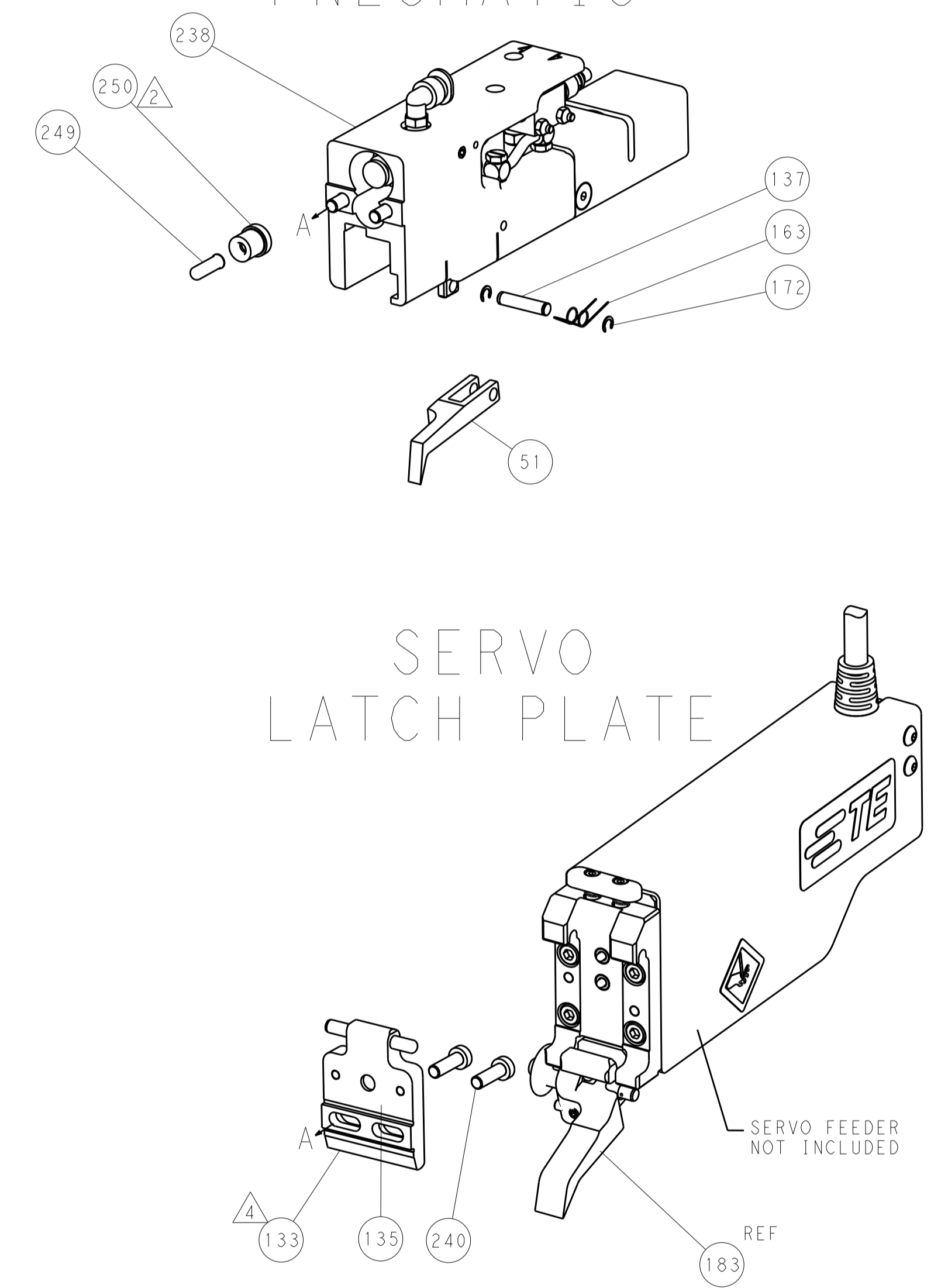
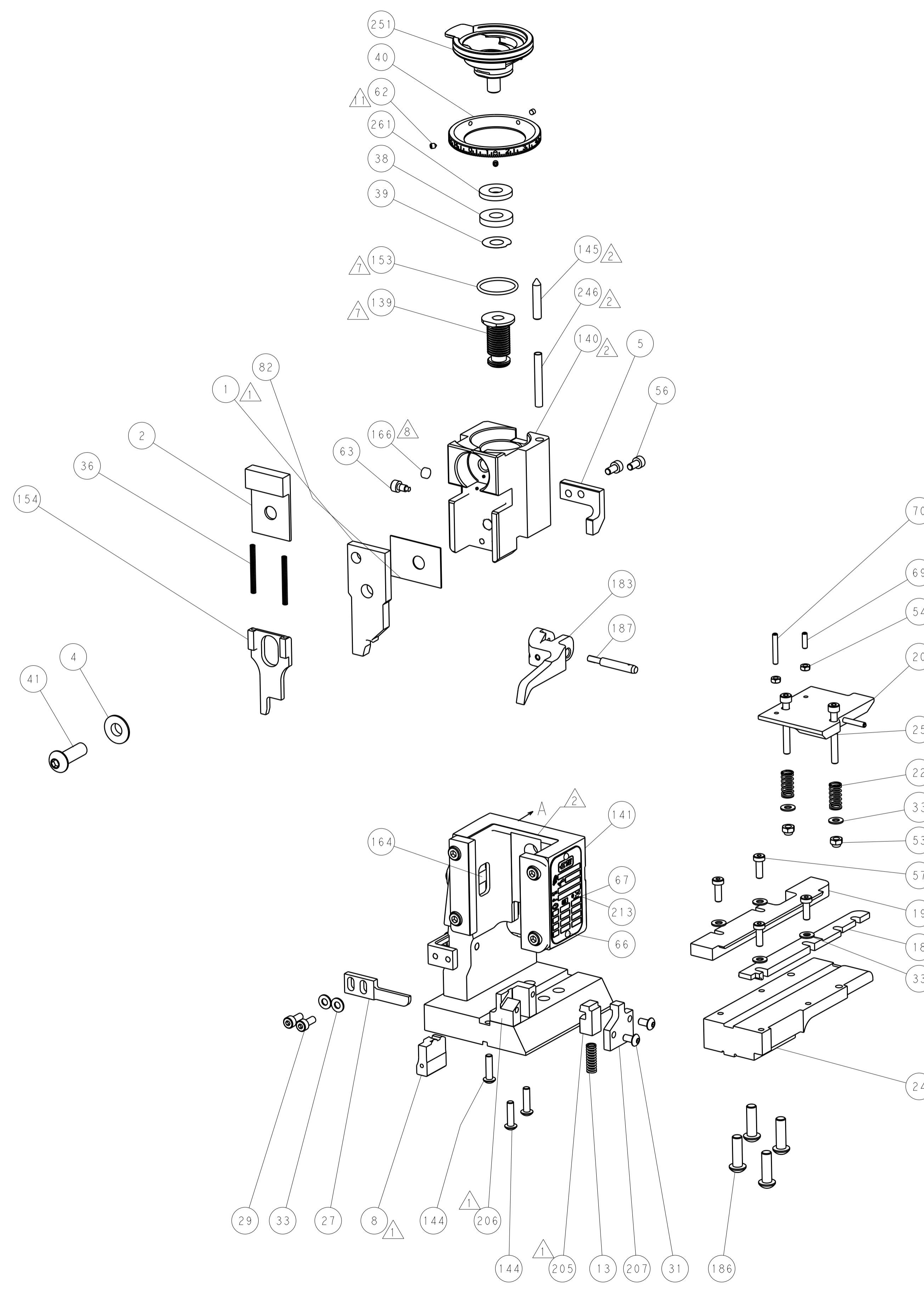
Customer Accessible Production Drawing

LOC	DIST	REV	DATE	BY	APPV
A	66				

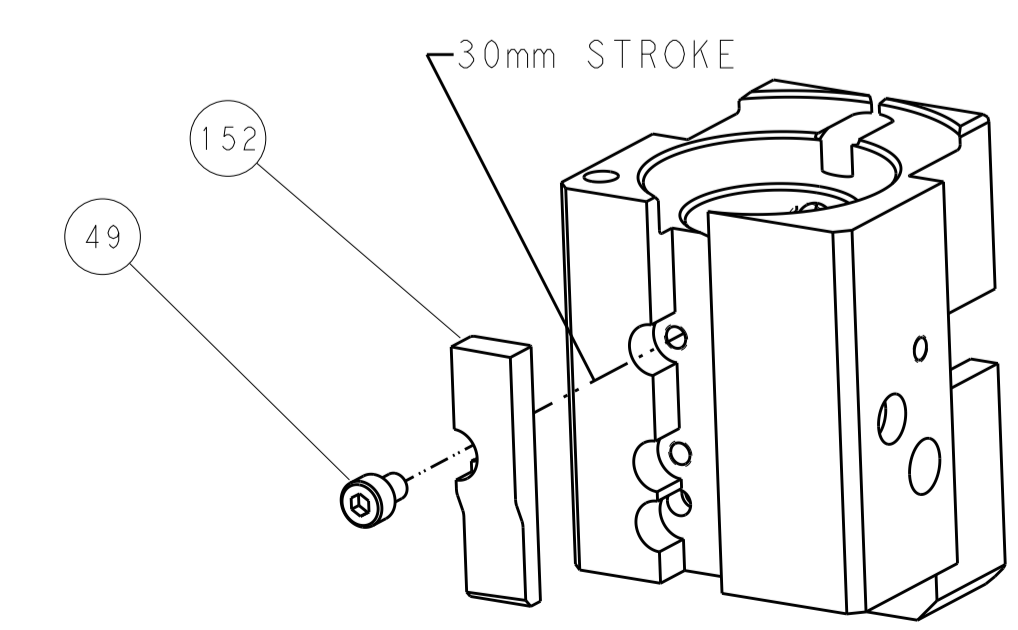
FEED TYPE

PNEUMATIC

SERVO LATCH PLATE



CAM POSITION



AIR FEED

PACIFIC VERSION
 Shown on sheets 3 of 4 & 4 of 4
 (Atlantic version shown on sheets 1 of 4 & 2 of 4)

<small>THIS DRAWING IS UNPUBLISHED. RELEASED FOR PUBLICATION. IT IS THE PROPERTY OF TYCO ELECTRONICS CORPORATION. IT IS TO BE USED ONLY FOR THE PURPOSES AND IN THE QUANTITIES SPECIFIED IN THE ORDER. IT IS TO BE RETURNED TO TYCO ELECTRONICS CORPORATION WHEN NO LONGER REQUIRED.</small>		DWN: HOFFNER 10MAY2012 CHK: T. ELBIN 11MAY2012 APVD: T. ELBIN 11MAY2012	TE Connectivity Harrisburg, PA 17105-3608
DIMENSIONS: mm 	TOLERANCES UNLESS OTHERWISE SPECIFIED: 0 PLC ±.5 1 PLC ±0.5 2 PLC ±0.13 3 PLC ±0.013 4 PLC ±0.001 ANGLES ±.1	NAME: Ocean End Feed Applicator PRODUCT SPEC: APPLICATION SPEC: WEIGHT:	SIZE: A1 CAGE CODE: 00779 DRAWING NO: C-2150253 SCALE: 1:1 SHEET: 4 OF 4 REV: B
MATERIAL:		RESTRICTED TO: Customer Accessible Production Drawing	