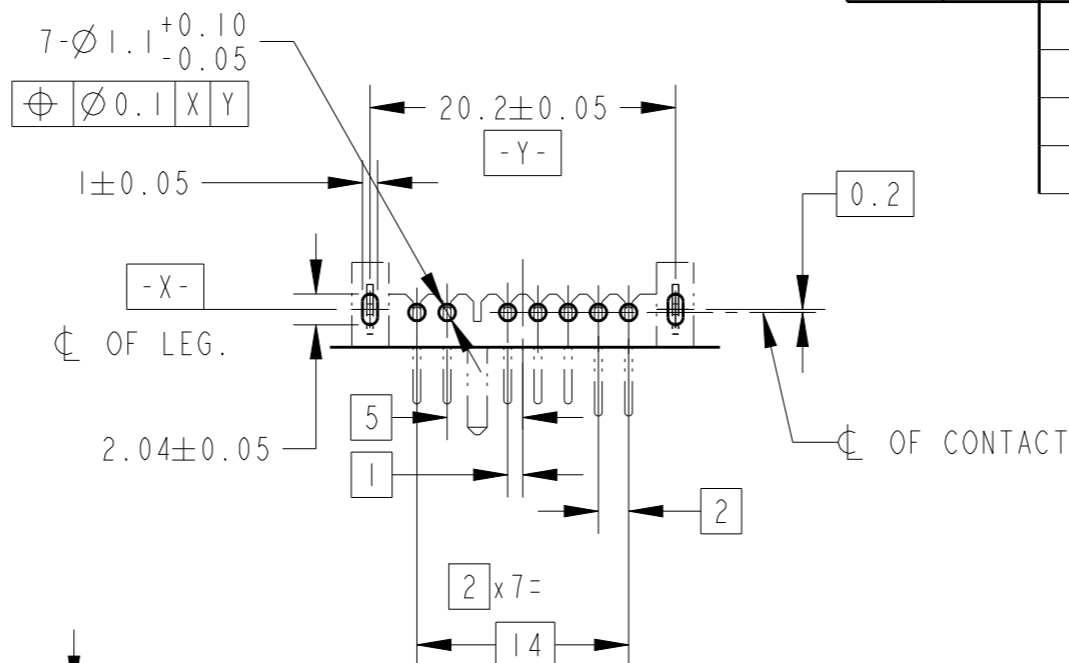
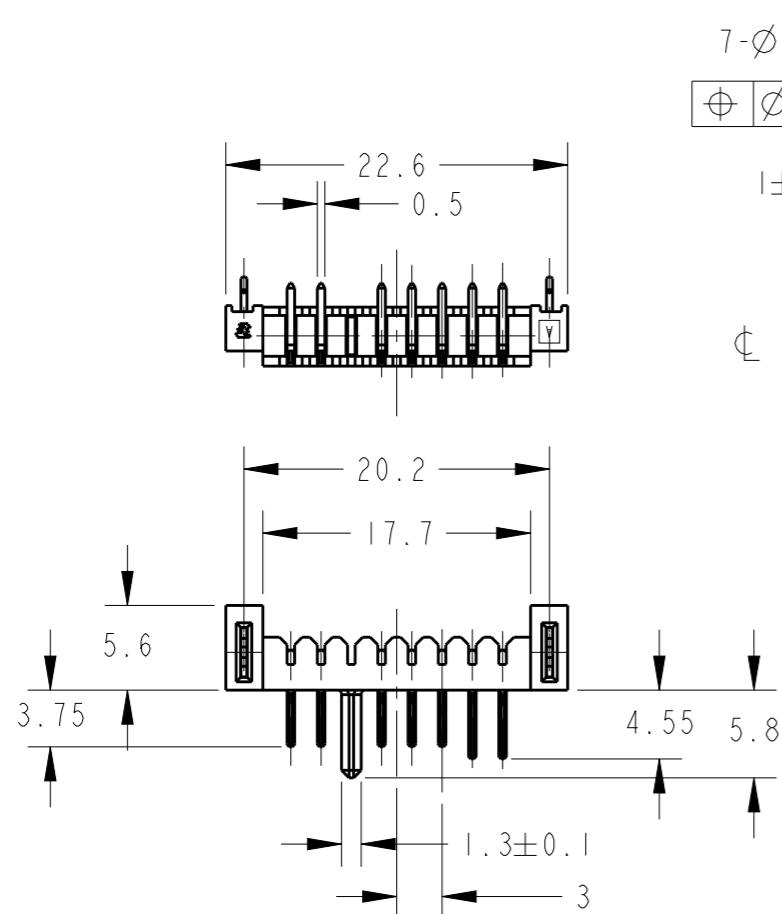


LOC
ES

DIST
-

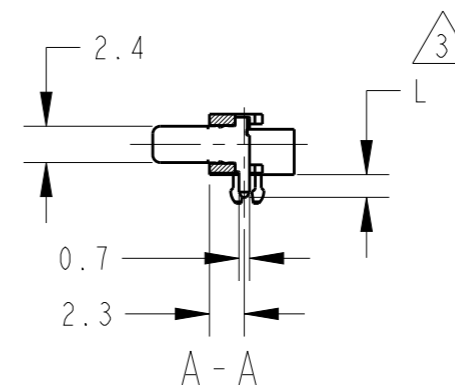
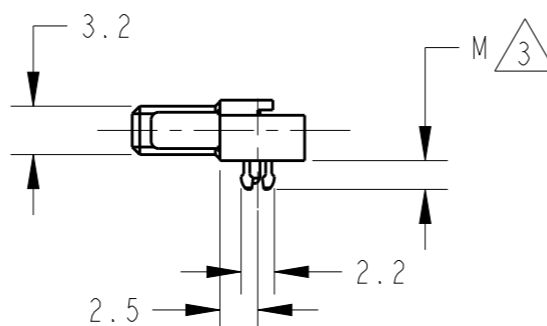
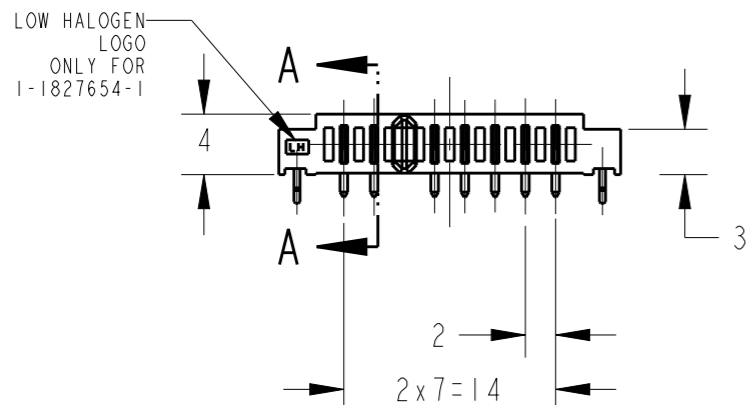
REVISIONS

P	LTR	DESCRIPTION	DATE	DWN	APVD
D1		REVISED PER ECO-11-005033	16APR2011	RK	HMR
D2		REVISED PER ECR-13-003041	20FEB2013	E, L	S. Y
D3		REVISED PER ECR-13-007095	26APR2013	E. L	S. Y



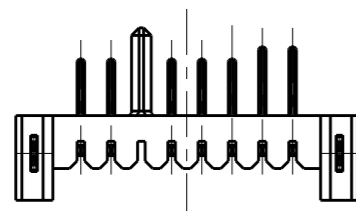
- 1 MATERIAL
CONTACT: COPPER ALLOY
HOUSING: THERMOPLASTIC RESIN UL94V-0 BLACK
RETENTION LEG: COPPER ALLOY
- 2 FINISH
CONTACT: NICKEL ALL OVER UNDER PLATING,
GOLD PLATING AT CONTACT AREA,
GOLD FLASH PLATING AT LEAD AREA,
RETENTION LEG: NICKEL ALL OVER UNDER PLATING,
TIN PLATING.

REFERENCE P.C BOARD LAYOUT
P.C. BOARD THK. 0.8~1.2
(VIEW FROM CONNECTOR MOUNTING SIDE)



1827654-1, 1-1827654-1: AS SHOWN

THERMOPLASTIC RESIN (LOW HALOGEN: BR<900PPM, CL<900PPM, BR+CL<1500ppm)	1.9	1.5	1-1827654-1
THERMOPLASTIC RESIN	2.6	2.1	1827654-2
THERMOPLASTIC RESIN	1.9	1.5	1827654-1
HOUSING MATERIAL	DIM "M"	DIM "L"	P/N



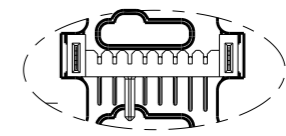
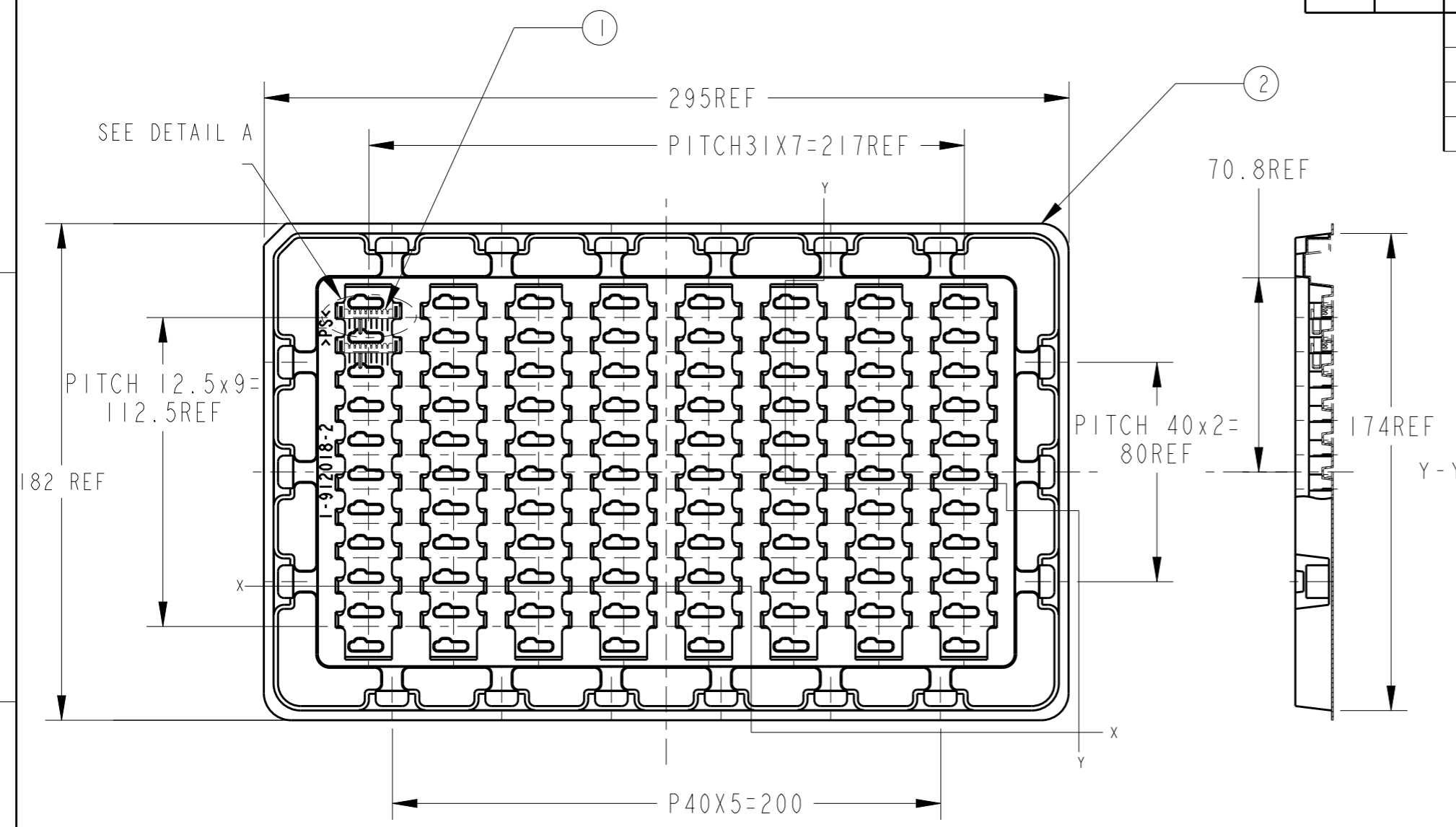
THIS DRAWING IS A CONTROLLED DOCUMENT.	
DIMENSIONS: mm	TOLERANCES UNLESS OTHERWISE SPECIFIED: ± 0.3
\varnothing PLC	±
1 PLC	±0.1
2 PLC	±0.01
3 PLC	±0.001
4 PLC	±0.0001
ANGLES	±3°
MATERIAL SEE NOTE	FINISH SEE NOTE

DWN	T. KATANO	04JUL05
CHK	T. KIMURA	04JUL05
APVD	T. KIMURA	04JUL05
PRODUCT SPEC	108-78292	
APPLICATION SPEC	-	
WEIGHT	1.0g	
CUSTOMER DRAWING		

STE TE Connectivity			
NAME PLUG ASSEMBLY 7POS. 2mm PITCH BATTERY CONNECTOR			
SIZE	CAGE CODE	DRAWING NO	RESTRICTED TO
A3	00779	1827654	-
SCALE		SHEET	REV
2:1		1 OF 2	D3

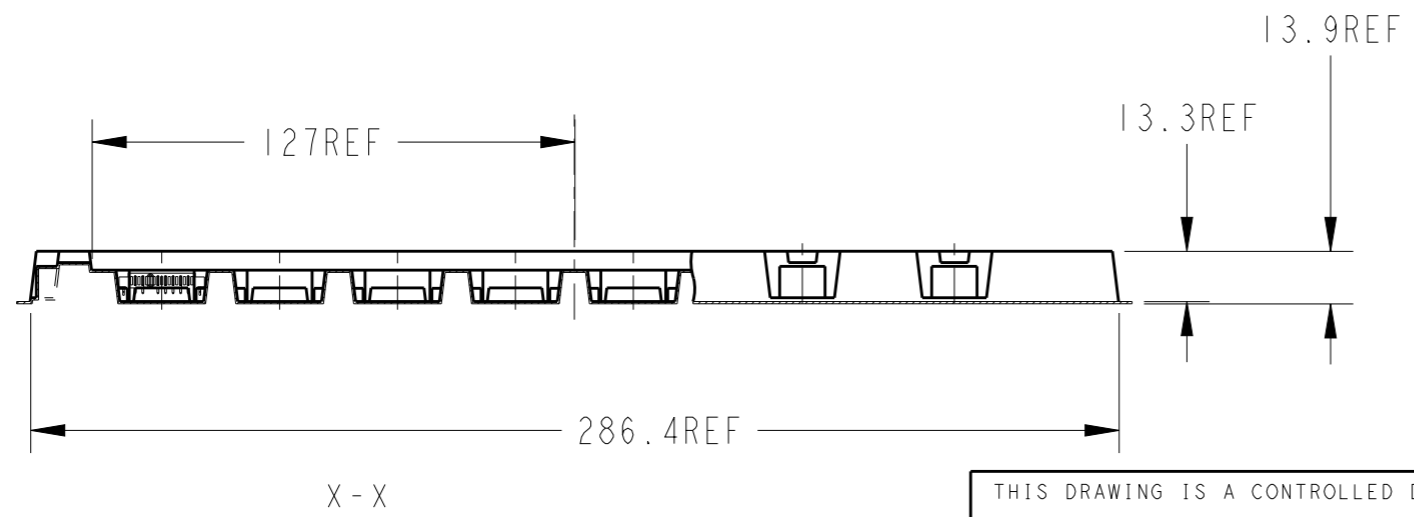
THIS DRAWING IS UNPUBLISHED. RELEASED FOR PUBLICATION 20
 © COPYRIGHT 20 ALL RIGHTS RESERVED.


LOC	DIST	REVISIONS			
P	LTR	DESCRIPTION	DATE	DWN	APVD
ES	-	SEE SHEET 1	-	-	-



DETAIL A
SCALE 1:1

AS SHOWN: 1827654-1/-2
1-1827654-1



THIS DRAWING IS A CONTROLLED DOCUMENT.		DWN	T. KATANO	04JUL05	 TE Connectivity
DIMENSIONS: mm		CHK	T. KIMURA	04JUL05	
TOLERANCES UNLESS OTHERWISE SPECIFIED:		APVD	T. KIMURA	04JUL05	
0 PLC ±.0 1 PLC ±0.1 2 PLC ±0.01 3 PLC ±0.001 4 PLC ±0.0001 ANGLES ±3°		NAME		PLUG ASSEMBLY 7POS. 2mm PITCH BATTERY CONNECTOR	
MATERIAL	SEE NOTE	FINISH	SEE NOTE	PRODUCT SPEC	108-78292
		WEIGHT	1.0g	APPLICATION SPEC	-
		CUSTOMER DRAWING	SCALE 1:1	SIZE	A3
				CAGE CODE	00779
				DRAWING NO	1827654
				RESTRICTED TO	-
				SHEET	2 OF 2
				REV	D3