

LOC	DIST	REVISIONS			
P	LTR	DESCRIPTION	DATE	DWN	APVD
	A	REVISED PER ECR-14-007824	02JUNE2014	RS	EC
	B	ECO-15-015144: ADD UL.	09NOV2015	EC	EC

SAFETY ORGANIZATIONS

THIS FILTER HAS BEEN FORMALLY RECOGNIZED, CERTIFIED OR APPROVED BY THE LISTED AGENCY. THEREFORE, ALL TEST/REQUIREMENTS SPECIFIED IN THE LATEST REVISION OF THE FOLLOWING AGENCY STANDARDS HAVE BEEN MET:

UL

OPERATING SPECIFICATIONS

LINE CURRENT/VOLTAGE: 400 A, 690VAC
 LINE FREQUENCY: 50-60 Hz
 NOMINAL LEAKAGE CURRENT: 20 mA
 MAXIMUM LEAKAGE CURRENT: 390mA @ 400V, 50HZ

OPERATING AMBIENT TEMPERATURE RANGE @ RATED CURRENT, I : -10°C TO +50°C

IN AN AMBIENT, T, HIGHER THAN 50°C, THE MAXIMUM OPERATING CURRENT, I, IS AS FOLLOWS:

$$I_o = I_R \sqrt{\frac{100 - T_o}{50}}$$

RELIABILITY SPECIFICATIONS

STORAGE TEMPERATURE: -40°C TO +85°C
 HUMIDITY: 21 DAYS @ 40°C 95% RH.

TEST SPECIFICATIONS

INDUCTANCE, NOMINAL: 50.9 µH
 CAPACITANCE AT 1KHz, 0.25 VAC MAX., 25°C±1°C
 LINE TO GROUND, NOMINAL: 3.1 µF
 LINE TO LINE, NOMINAL: 7.0 µF

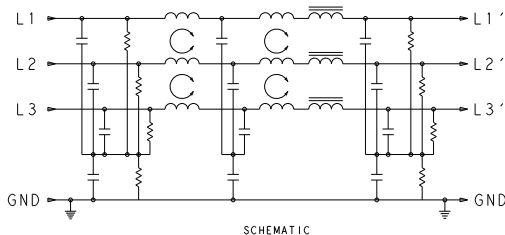
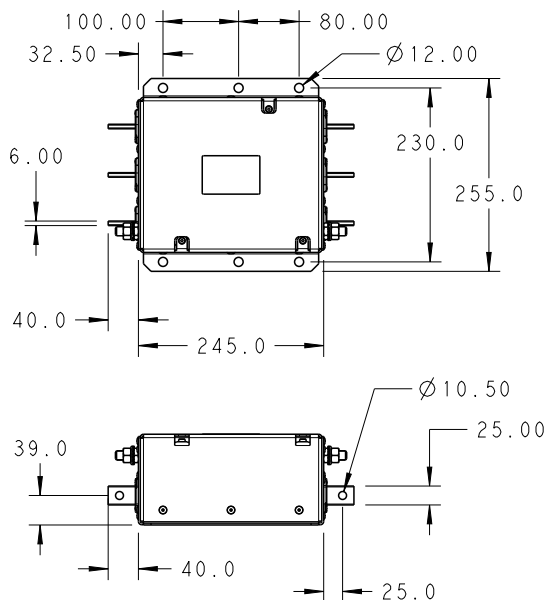
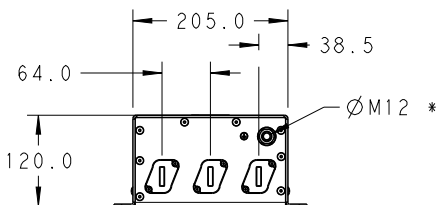
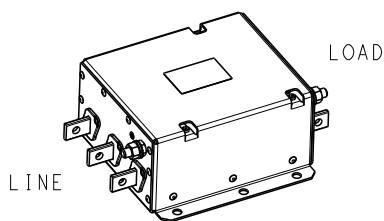
DISCHARGE RESISTOR L/G AND L/L I.R. 1000 kOhm / 1000 kOhm
 IR (NO DISCHARGE RESISTOR) 20°C, 50% RH AND 100VDC, MIN: 6000 MΩ

RECOMMENDED RECEIVING INSPECTION HIPOT

LINE TO GROUND FOR 1 MINUTE: 2640 VDC
 LINE TO LINE FOR 1 MINUTE: 2520 VDC

FILTER APPROVAL:

THE BEST WAY TO SELECT AND QUALIFY A FILTER IS FOR YOUR ENGINEERING TO TEST THE UNIT IN YOUR EQUIPMENT.



* DO NOT LOOSEN INNER GROUND NUTS. TORQUE OUTER GROUND NUTS TO: 25-30 NM [220-260 IN-LB]

TYPICAL INSERTION LOSS
 COMMON MODE 50/50Ω; DIFFERENTIAL MODE 100/100Ω

MHz	0.01	0.05	0.15	0.5	1.0	3.0	5.0	10	30
CM	13	33	62	88	78	68	52	36	20
DM	27	40	53	68	58	45	40	32	21

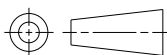
20 RELEASED FOR PUBLICATION ALL RIGHTS RESERVED. BY - COPYRIGHT 20 THIS DRAWING IS UNPUBLISHED.

DIMENSIONS:

mm

TOLERANCES UNLESS OTHERWISE SPECIFIED:

0 PLC	±2
1 PLC	±1.0
2 PLC	±0.50
3 PLC	±0.200
4 PLC	±0.0001
ANGLES	±



DWN	09NOV2015
EC	
CHK	17DEC2013
EC	
APVD	17DEC2013
EC	
PRODUCT SPEC	-
APPLICATION SPEC	-
WEIGHT	-

MATERIAL		FINISH	
-		-	
TE TE Connectivity			
NAME 400APS12P 3-PHASE DELTA FILTER			
SIZE	CAGE CODE	DRAWING NO	RESTRICTED TO
A4	00779	C-5-1609114-0	-

Customer Drawing

SCALE	1:1	SHEET	1	OF	1	REV	B
-------	-----	-------	---	----	---	-----	---