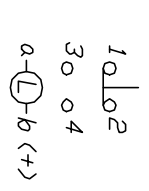
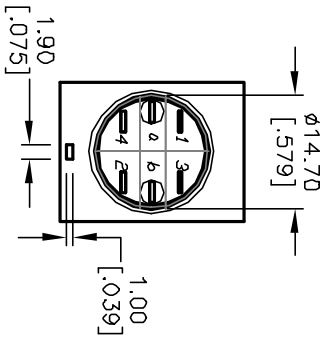
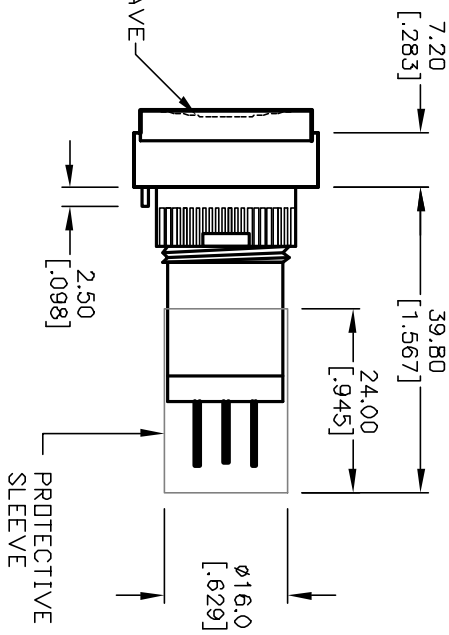
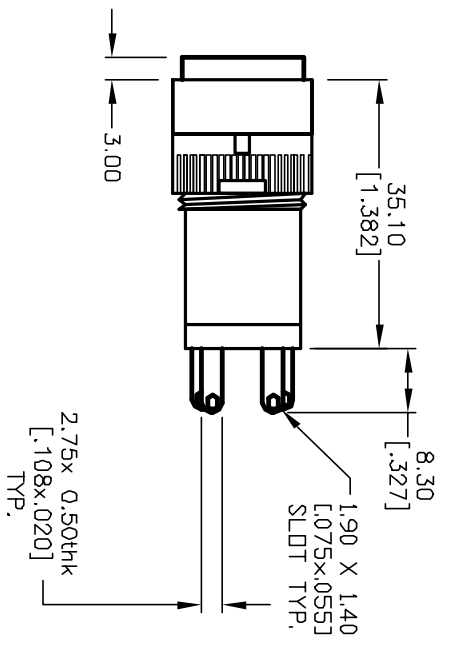
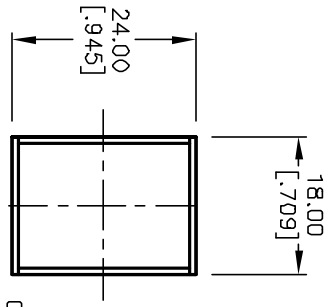


RECOMMENDED PANEL MOUNTING
SCALE 1:1



DPST
CIRCUIT DIAGRAM



NOTES:

1. ALL DIMENSIONS IN MM
2. GENERAL TOLERANCE: X.X=±0.4 X.XX=±0.25
3. RATINGS: 5A@250V AC, 8A@125V AC
4. CONTACT MATERIAL: COPPER ALLOY W/Gold Plating
5. TRAVEL: 3.0mm
6. MECHANICAL LIFE: >100,000 Cycles
7. ELECTRICAL LIFE: >50,000 Cycles
8. INSULATION RESISTANCE: >1000 MΩ-10HMS
9. OPERATING TEMP: -20°C to 55°C

PARTS LIST		
ITEM	QTY.	PART NO. PART DESCRIPTION
1	1	F040501 P16 DA T1 2
2	1	F052205 50-002-05 (OPAQUE WHT lens)

E-SWITCH®

REV.	ECN No.	DESCRIPTION	DATE	CHKD
A	12212	RELEASED FOR PRODUCTION	6/5/02	CB

TITLE	SCALE	DATE	DR	DWG	REV
P16 DA T12 0 WHT (Momentary) OPAQUE/CONCAVE LENS	1:1	10/04/01	CB	XF04804	A

THE INFORMATION CONTAINED IN THIS DOCUMENT IS PROPRIETARY TO E-SWITCH AND IS NOT TO BE COPIED OR TRANSFERRED