



# 3.3V CMOS 16-BIT REGISTERED TRANSCEIVER WITH 3-STATE OUTPUTS, 5 VOLT TOLERANT I/O, BUS-HOLD

## IDT74LVCH16543A

### FEATURES:

- Typical  $t_{sk(o)}$  (Output Skew) < 250ps
- ESD > 2000V per MIL-STD-883, Method 3015; > 200V using machine model (C = 200pF, R = 0)
- $V_{cc} = 3.3V \pm 0.3V$ , Normal Range
- $V_{cc} = 2.7V$  to  $3.6V$ , Extended Range
- CMOS power levels ( $0.4\mu W$  typ. static)
- All inputs, outputs, and I/O are 5V tolerant
- Supports hot insertion
- Available in TSSOP package

### DRIVE FEATURES:

- High Output Drivers:  $\pm 24mA$
- Reduced system switching noise

### APPLICATIONS:

- 5V and 3.3V mixed voltage systems
- Data communication and telecommunication systems

### DESCRIPTION

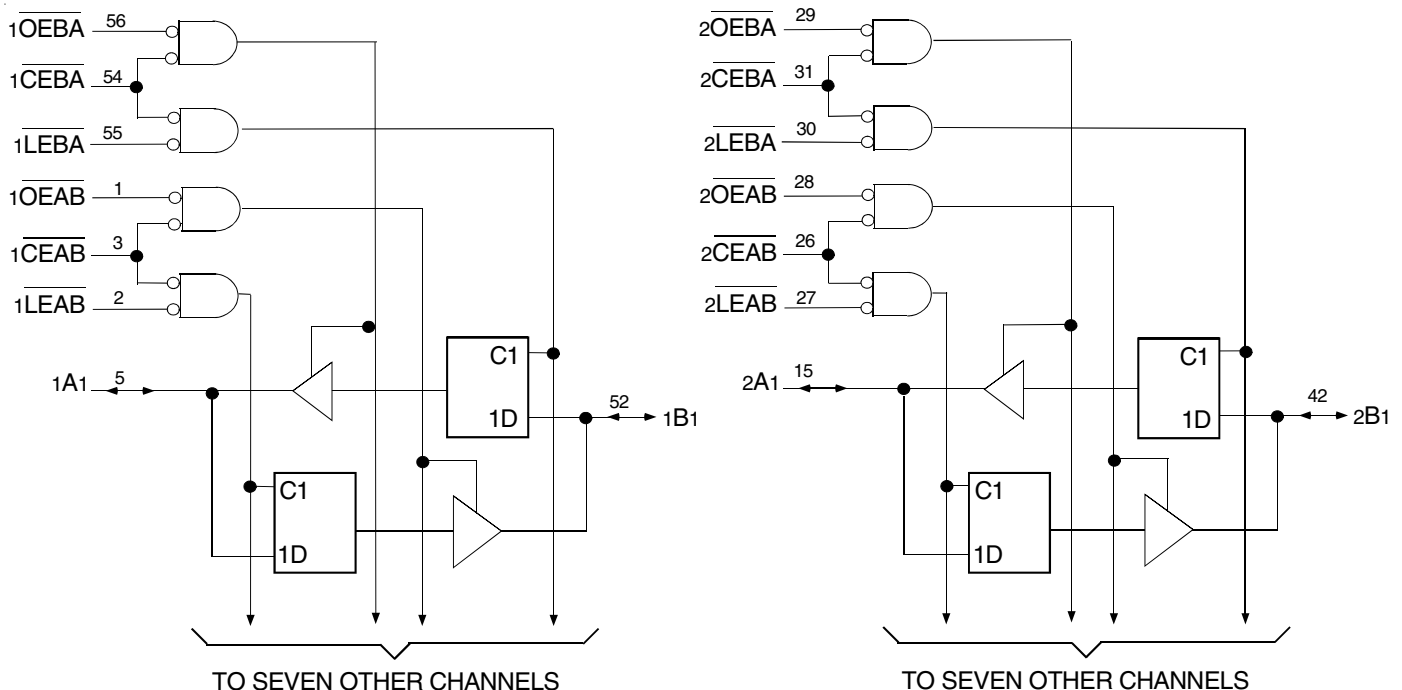
The LVCH16543A 16-bit registered transceiver is built using advanced dual metal CMOS technology. The LVCH16543A can be used as two 8-bit transceivers or one 16-bit transceiver. Separate latch-enable ( $\overline{LEAB}$  or  $\overline{LEBA}$ ) and output-enable ( $\overline{OEAB}$  or  $\overline{OEBA}$ ) inputs are provided for each register to permit independent control in either direction of data flow. The A-to-B enable ( $\overline{CEAB}$ ) input must be low in order to enter data from the A port or to output data from the B port.  $\overline{LEAB}$  controls the latch function. When  $\overline{LEAB}$  is low, the A to B latches are transparent. A subsequent low-to-high transition of  $\overline{LEAB}$  puts the A latches in the storage mode.  $\overline{OEAB}$  performs output enable function on the B port. Data flow from the B port to the A port is similar but requires using  $\overline{CEBA}$ ,  $\overline{LEBA}$ , and  $\overline{OEBA}$  inputs. Flow-through organization of signal pins simplifies layout. All inputs are designed with hysteresis for improved noise margin.

All pins of this 16-bit registered transceiver can be driven from either 3.3V or 5V devices. This feature allows the use of this device as a translator in a mixed 3.3V/5V supply system.

The LVCH16543A has been designed with a  $\pm 24mA$  output driver. This driver is capable of driving a moderate to heavy load while maintaining speed performance.

The LVCH16543A has "bus-hold" which retains the inputs' last state whenever the input goes to a high impedance. This prevents floating inputs and eliminates the need for pull-up/down resistors.

### FUNCTIONAL BLOCK DIAGRAM

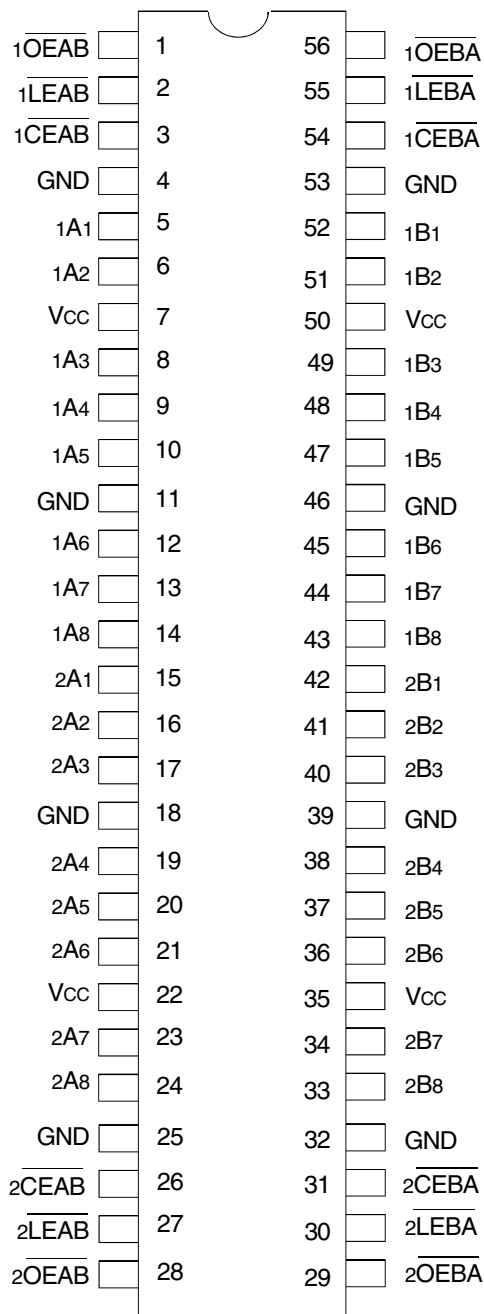


The IDT logo is a registered trademark of Integrated Device Technology, Inc.

**INDUSTRIAL TEMPERATURE RANGE**

**JANUARY 2016**

## PIN CONFIGURATION



TSSOP  
TOP VIEW

## ABSOLUTE MAXIMUM RATINGS<sup>(1)</sup>

Symbol	Description	Max	Unit
VTERM	Terminal Voltage with Respect to GND	-0.5 to +6.5	V
TSTG	Storage Temperature	-65 to +150	°C
IOUT	DC Output Current	-50 to +50	mA
I <sub>IK</sub> I <sub>OK</sub>	Continuous Clamp Current, V <sub>I</sub> < 0 or V <sub>O</sub> < 0	-50	mA
I <sub>CC</sub> I <sub>SS</sub>	Continuous Current through each V <sub>CC</sub> or GND	±100	mA

### NOTE:

- Stresses greater than those listed under ABSOLUTE MAXIMUM RATINGS may cause permanent damage to the device. This is a stress rating only and functional operation of the device at these or any other conditions above those indicated in the operational sections of this specification is not implied. Exposure to absolute maximum rating conditions for extended periods may affect reliability.

## PIN DESCRIPTION

Pin Names	Description
x $\overline{OEAB}$	A-to-B Output Enable Input (Active LOW)
x $\overline{OEBA}$	B-to-A Output Enable Input (Active LOW)
x $\overline{CEAB}$	A-to-B Enable Input (Active LOW)
x $\overline{CEBA}$	B-to-A Enable Input (Active LOW)
x $\overline{LEAB}$	A-to-B Latch Enable Input (Active LOW)
x $\overline{LEBA}$	B-to-A Latch Enable Input (Active LOW)
xAx	A-to-B Data Inputs or B-to-A 3-State Outputs <sup>(1)</sup>
xBx	B-to-A Data Inputs or A-to-B 3-State Outputs <sup>(1)</sup>

### NOTE:

- These pins have "Bus-Hold". All other pins are standard inputs, outputs, or I/Os.

## FUNCTION TABLE (EACH 8-BIT SECTION)<sup>(1,2)</sup>

Inputs			Latch Status	Output Buffers
x $\overline{CEAB}$	x $\overline{LEAB}$	x $\overline{OEAB}$	xAx to xBx	xBx
H	X	X	Storing	High Z
X	X	H	Storing	High Z
L	L	L	Transparent	Current A Inputs
L	H	L	Storing	Previous <sup>(3)</sup> A Inputs
L	L	H	Transparent	High Z
L	H	H	Storing	High Z
X	H	X	Storing	Not Recommended

### NOTES:

- H = HIGH Voltage Level  
L = LOW Voltage Level  
X = Don't Care  
Z = High-Impedance
- A-to-B data flow is shown. B-to-A data flow is similar but uses  $\overline{xCEBA}$ ,  $\overline{xLEBA}$ , and  $\overline{xOEBA}$ .
- Before  $\overline{xLEAB}$  LOW-to-HIGH transition.

## CAPACITANCE (T<sub>A</sub> = +25°C, F = 1.0MHz)

Symbol	Parameter <sup>(1)</sup>	Conditions	Typ.	Max.	Unit
C <sub>IN</sub>	Input Capacitance	V <sub>IN</sub> = 0V	4.5	6	pF
C <sub>OUT</sub>	Output Capacitance	V <sub>OUT</sub> = 0V	6.5	8	pF
C <sub>I/O</sub>	I/O Port Capacitance	V <sub>IN</sub> = 0V	6.5	8	pF

### NOTE:

- As applicable to the device type.

## DC ELECTRICAL CHARACTERISTICS OVER OPERATING RANGE

Following Conditions Apply Unless Otherwise Specified:

Operating Condition: TA = -40°C to +85°C

Symbol	Parameter	Test Conditions		Min.	Typ. <sup>(1)</sup>	Max.	Unit
V <sub>IH</sub>	Input HIGH Voltage Level	V <sub>CC</sub> = 2.3V to 2.7V		1.7	—	—	V
		V <sub>CC</sub> = 2.7V to 3.6V		2	—	—	
V <sub>IL</sub>	Input LOW Voltage Level	V <sub>CC</sub> = 2.3V to 2.7V		—	—	0.7	V
		V <sub>CC</sub> = 2.7V to 3.6V		—	—	0.8	
I <sub>IH</sub> I <sub>IL</sub>	Input Leakage Current	V <sub>CC</sub> = 3.6V	V <sub>I</sub> = 0 to 5.5V	—	—	±5	μA
I <sub>OZH</sub> I <sub>OZL</sub>	High Impedance Output Current (3-State Output pins)	V <sub>CC</sub> = 3.6V	V <sub>O</sub> = 0 to 5.5V	—	—	±10	μA
I <sub>OFF</sub>	Input/Output Power Off Leakage	V <sub>CC</sub> = 0V, V <sub>IN</sub> or V <sub>O</sub> ≤ 5.5V		—	—	±50	μA
V <sub>IK</sub>	Clamp Diode Voltage	V <sub>CC</sub> = 2.3V, I <sub>IN</sub> = -18mA		—	-0.7	-1.2	V
V <sub>H</sub>	Input Hysteresis	V <sub>CC</sub> = 3.3V		—	100	—	mV
I <sub>CC1</sub> I <sub>CC2</sub> I <sub>CC3</sub>	Quiescent Power Supply Current	V <sub>CC</sub> = 3.6V	V <sub>IN</sub> = GND or V <sub>CC</sub>	—	—	10	μA
			3.6 ≤ V <sub>IN</sub> ≤ 5.5V <sup>(2)</sup>	—	—	10	
ΔI <sub>CC</sub>	Quiescent Power Supply Current Variation	One input at V <sub>CC</sub> - 0.6V, other inputs at V <sub>CC</sub> or GND		—	—	500	μA

### NOTES:

1. Typical values are at V<sub>CC</sub> = 3.3V, +25°C ambient.
2. This applies in the disabled state only.

## BUS-HOLD CHARACTERISTICS

Symbol	Parameter <sup>(1)</sup>	Test Conditions		Min.	Typ. <sup>(2)</sup>	Max.	Unit
I <sub>BHH</sub> I <sub>BHL</sub>	Bus-Hold Input Sustain Current	V <sub>CC</sub> = 3V	V <sub>I</sub> = 2V	-75	—	—	μA
			V <sub>I</sub> = 0.8V	75	—	—	
I <sub>BHH</sub> I <sub>BHL</sub>	Bus-Hold Input Sustain Current	V <sub>CC</sub> = 2.3V	V <sub>I</sub> = 1.7V	—	—	—	μA
			V <sub>I</sub> = 0.7V	—	—	—	
I <sub>BHHO</sub> I <sub>BHLO</sub>	Bus-Hold Input Overdrive Current	V <sub>CC</sub> = 3.6V	V <sub>I</sub> = 0 to 3.6V	—	—	±500	μA

### NOTES:

1. Pins with Bus-Hold are identified in the pin description.
2. Typical values are at V<sub>CC</sub> = 3.3V, +25°C ambient.

## OUTPUT DRIVE CHARACTERISTICS

Symbol	Parameter	Test Conditions <sup>(1)</sup>		Min.	Max.	Unit
VOH	Output HIGH Voltage	V <sub>CC</sub> = 2.3V to 3.6V	I <sub>OH</sub> = -0.1mA	V <sub>CC</sub> -0.2	—	V
		V <sub>CC</sub> = 2.3V	I <sub>OH</sub> = -6mA	2	—	
		V <sub>CC</sub> = 2.3V	I <sub>OH</sub> = -12mA	1.7	—	
		V <sub>CC</sub> = 2.7V		2.2	—	
		V <sub>CC</sub> = 3V		2.4	—	
		V <sub>CC</sub> = 3V	I <sub>OH</sub> = -24mA	2	—	
VOL	Output LOW Voltage	V <sub>CC</sub> = 2.3V to 3.6V	I <sub>OL</sub> = 0.1mA	—	0.2	V
		V <sub>CC</sub> = 2.3V	I <sub>OL</sub> = 6mA	—	0.4	
			I <sub>OL</sub> = 12mA	—	0.7	
		V <sub>CC</sub> = 2.7V	I <sub>OL</sub> = 12mA	—	0.4	
		V <sub>CC</sub> = 3V	I <sub>OL</sub> = 24mA	—	0.55	

**NOTE:**  
1. V<sub>IH</sub> and V<sub>IL</sub> must be within the min. or max. range shown in the DC ELECTRICAL CHARACTERISTICS OVER OPERATING RANGE table for the appropriate V<sub>CC</sub> range. T<sub>A</sub> = -40°C to +85°C.

## OPERATING CHARACTERISTICS, V<sub>CC</sub> = 3.3V ± 0.3V, T<sub>A</sub> = 25°C

Symbol	Parameter	Test Conditions	Typical	Unit
CPD	Power Dissipation Capacitance per Transceiver Outputs enabled	C <sub>L</sub> = 0pF, f = 10Mhz	44	pF
CPD	Power Dissipation Capacitance per Transceiver Outputs disabled		4	

## SWITCHING CHARACTERISTICS<sup>(1)</sup>

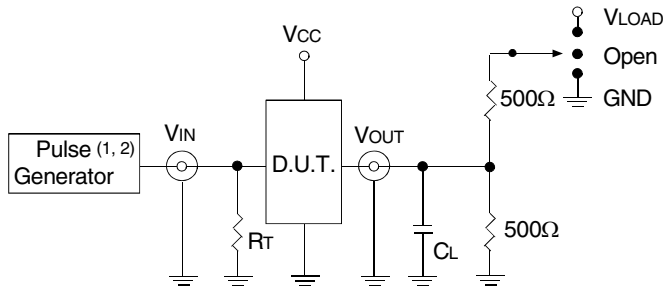
Symbol	Parameter	V <sub>CC</sub> = 2.7V		V <sub>CC</sub> = 3.3V ± 0.3V		Unit
		Min.	Max.	Min.	Max.	
t <sub>PLH</sub>	Propagation Delay, Transparent Mode	—	6.1	1.2	5.4	ns
t <sub>PHL</sub>	xAx to xBx or xBx to xAx					
t <sub>PLH</sub>	Propagation Delay	—	7.4	1.5	6.1	ns
t <sub>PHL</sub>	xLEB <sub>A</sub> to xAx, xLEAB to xBx					
t <sub>PZH</sub>	Output Enable Time	—	7.9	1.2	6.6	ns
t <sub>PZL</sub>	xCEB <sub>A</sub> or xCEAB to xAx or xBx					
t <sub>PZH</sub>	Output Enable Time	—	7.6	1	6.3	ns
t <sub>PZL</sub>	xOEBA or xOEAB to xAx or xBx					
t <sub>PHZ</sub>	Output Disable Time	—	7.1	1.5	6.6	ns
t <sub>PLZ</sub>	xCEB <sub>A</sub> or xCEAB to xAx or xBx					
t <sub>PHZ</sub>	Output Disable Time	—	6.9	1.5	6.3	ns
t <sub>PLZ</sub>	xOEB <sub>A</sub> or xOEAB to xAx or xBx					
t <sub>SU</sub>	Set-up Time, data before CE <sub>A</sub> ↑	1.1	—	1.1	—	ns
t <sub>SU</sub>	Set-up Time, data before LE <sub>A</sub> ↑, CE LOW	1.1	—	1.1	—	ns
t <sub>H</sub>	Hold Time, data after CE <sub>A</sub> ↑	1.9	—	1.9	—	ns
t <sub>H</sub>	Hold Time, data after LE <sub>A</sub> ↑, CE LOW	1.9	—	1.9	—	ns
t <sub>w</sub>	Pulse Duration, xLEB <sub>A</sub> or xLEAB, xCEB <sub>A</sub> or xCEAB LOW	3.3	—	3.3	—	ns
t <sub>sk(o)</sub>	Output Skew <sup>(2)</sup>	—	—	—	500	ps

**NOTES:**  
1. See TEST CIRCUITS AND WAVEFORMS. T<sub>A</sub> = -40°C to +85°C.  
2. Skew between any two outputs of the same package and switching in the same direction.

## TEST CIRCUITS AND WAVEFORMS

### TEST CONDITIONS

Symbol	V <sub>CC</sub> <sup>(1)</sup> =3.3V±0.3V	V <sub>CC</sub> <sup>(1)</sup> =2.7V	V <sub>CC</sub> <sup>(2)</sup> =2.5V±0.2V	Unit
V <sub>LOAD</sub>	6	6	2 x V <sub>CC</sub>	V
V <sub>IH</sub>	2.7	2.7	V <sub>CC</sub>	V
V <sub>T</sub>	1.5	1.5	V <sub>CC</sub> / 2	V
V <sub>LZ</sub>	300	300	150	mV
V <sub>HZ</sub>	300	300	150	mV
C <sub>L</sub>	50	50	30	pF



LVC Link

Test Circuit for All Outputs

#### DEFINITIONS:

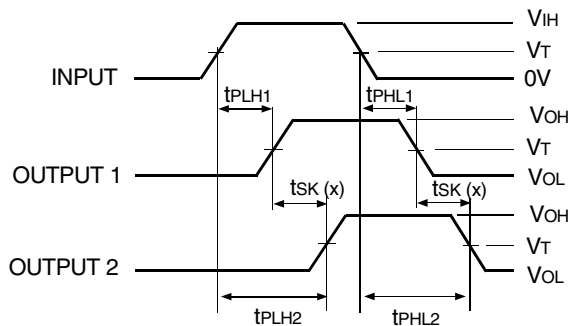
C<sub>L</sub> = Load capacitance: includes jig and probe capacitance.  
R<sub>T</sub> = Termination resistance: should be equal to Z<sub>OUT</sub> of the Pulse Generator.

#### NOTES:

1. Pulse Generator for All Pulses: Rate ≤ 10MHz; t<sub>r</sub> ≤ 2.5ns; t<sub>r</sub> ≤ 2.5ns.
2. Pulse Generator for All Pulses: Rate ≤ 10MHz; t<sub>r</sub> ≤ 2ns; t<sub>r</sub> ≤ 2ns.

### SWITCH POSITION

Test	Switch
Open Drain Disable Low Enable Low	V <sub>LOAD</sub>
Disable High Enable High	GND
All Other Tests	Open



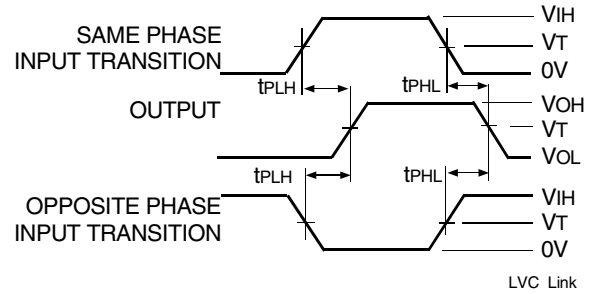
$$tsk(x) = |t_{PLH2} - t_{PLH1}| \text{ or } |t_{PHL2} - t_{PHL1}|$$

LVC Link

Output Skew - tsk(x)

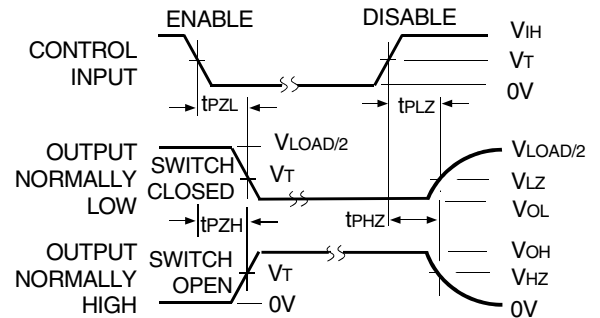
#### NOTES:

1. For tsk(o) OUTPUT1 and OUTPUT2 are any two outputs.
2. For tsk(b) OUTPUT1 and OUTPUT2 are in the same bank.



LVC Link

Propagation Delay

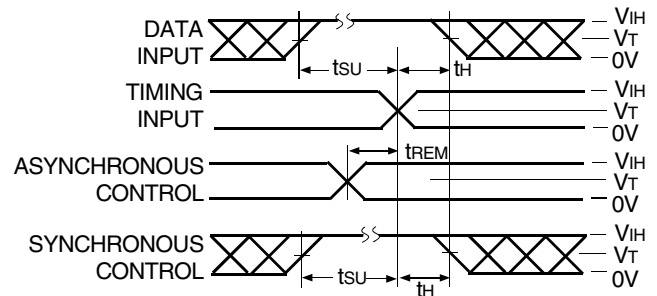


LVC Link

Enable and Disable Times

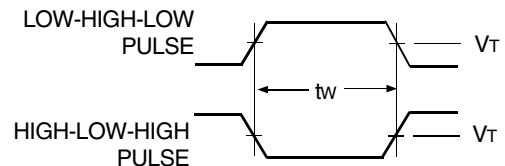
#### NOTE:

1. Diagram shown for input Control Enable-LOW and input Control Disable-HIGH.



LVC Link

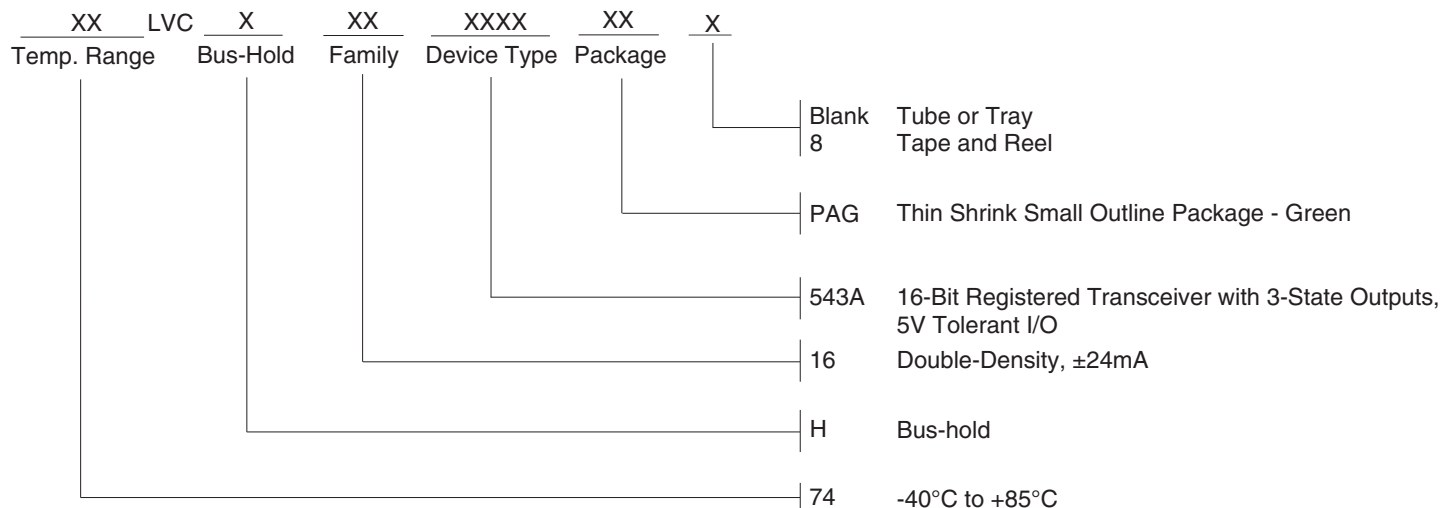
Set-up, Hold, and Release Times



LVC Link

Pulse Width

## ORDERING INFORMATION



## DATASHEET DOCUMENT HISTORY

01/21/2016 Pg. 6 Updated the ordering information by removing IDT notation and adding Tape and Reel information.



**CORPORATE HEADQUARTERS**  
 6024 Silver Creek Valley Road  
 San Jose, CA 95138

**for SALES:**  
 800-345-7015 or 408-284-8200  
 fax: 408-284-2775  
 www.idt.com

**for Tech Support:**  
 logichelp@idt.com