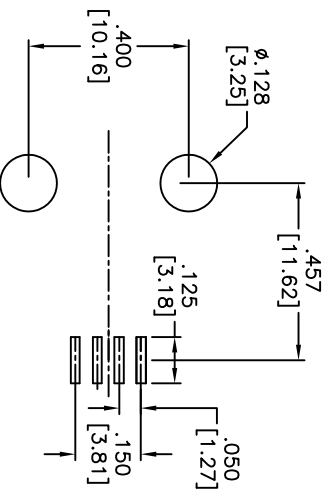
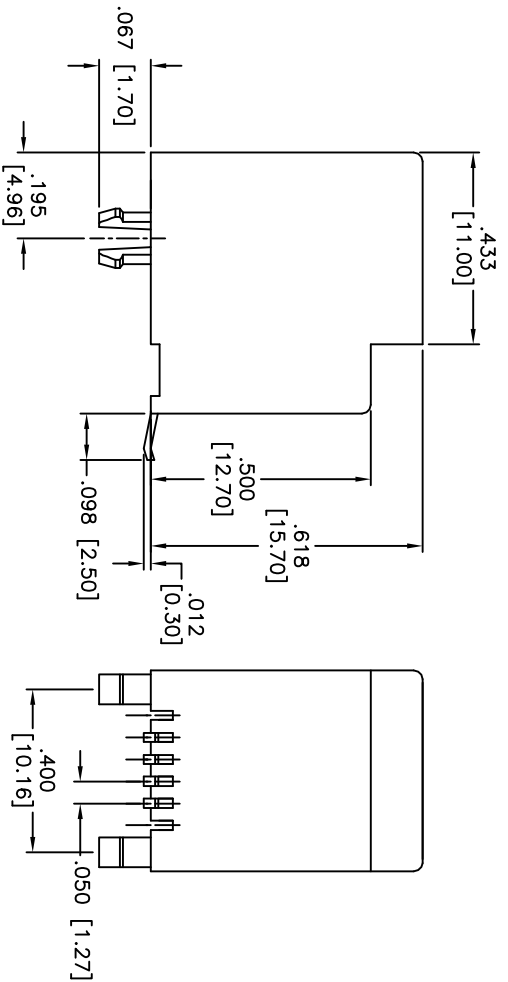
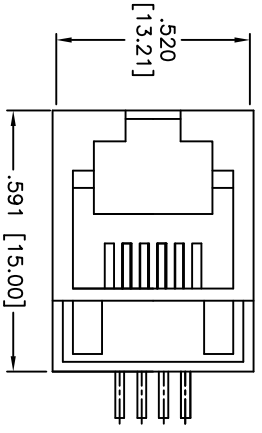


Rev	AWO #	Description	Date	Appr
-		RELEASED	10/07/10	

APPROVED: \_\_\_\_\_  
 DATE: \_\_\_\_\_ TITLE: \_\_\_\_\_



RECOMMENDED PCB LAYOUT  
(TOP VIEW)

X	PLATING
0	15 µin Gold
1	30 µin Gold
2	50 µin Gold

**SPECIFICATIONS:**

Material:

Insulator: Hi-temp thermoplastic, rated UL 94V-0

Insulator color: Black

Contacts: Phosphor Bronze

Plating:

Gold over Nickel underplate on contact area,  
 Tin over Copper underplate on tails.  
 (See chart for thickness)

Electrical:

Operating voltage: 125 VAC max

Current rating: 1.5 Amps max

Contact resistance: 45 mohms max

Insulation resistance: 1,000 Mohms min @ 500 VDC

Dielectric withstanding voltage: 1000 VAC for 1 minute

Temperature Rating:

Operating temperature: -40°C to +85°C

Environmental:

Lead free, RoHS compliant.  
 Recommended soldering temp: 260°C for 5 sec.



**ADAM TECH**

909 Rahway Avenue, Union, NJ 07083  
 Phone: 908-687-5000 Fax: 908-687-5710

TITLE: MODULAR TELEPHONE JACK, 6P4C  
 TOP ENTRY, SMT TYPE

UNLESS OTHERWISE SPECIFIED ALL DIMENSIONS ARE INCHES [MM]	
TOLERANCES: EXCEPT AS NOTED	
INCHES	HOLES
.X ± .10	ØX ± .10
.XX ± .020	ØXXX ± .015
.XXX ± .015	ØXXX ± .010
APPROVALS	DATE
DRAWN	DY
CHECKED	
APPROVED	
10/07/10	

SIZE	PART NO.	REV.
X	MTJ-64KX1	-
REF: S00156T	SCALE: NTS	SHEET 1 OF 1