



Features

- Best for large current radiation noise.
- Easy installation.
- Multiple usage by parallel installation.
- Low conducted radiation noise by winding the primary or secondary power of leads.

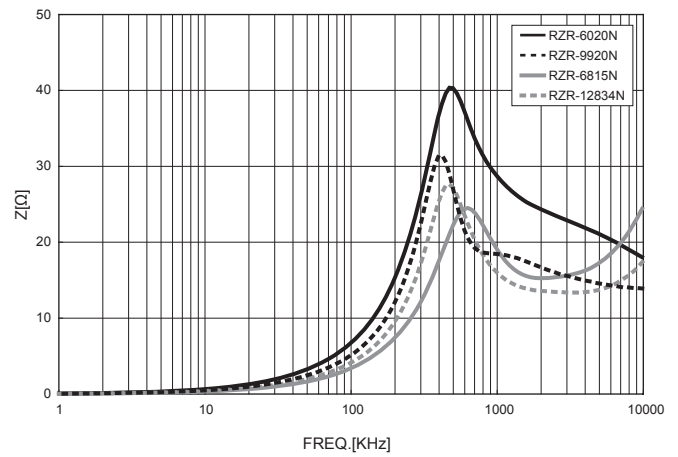
Applications

- NC machines, General inverters, UPS, and Industrial equipments.

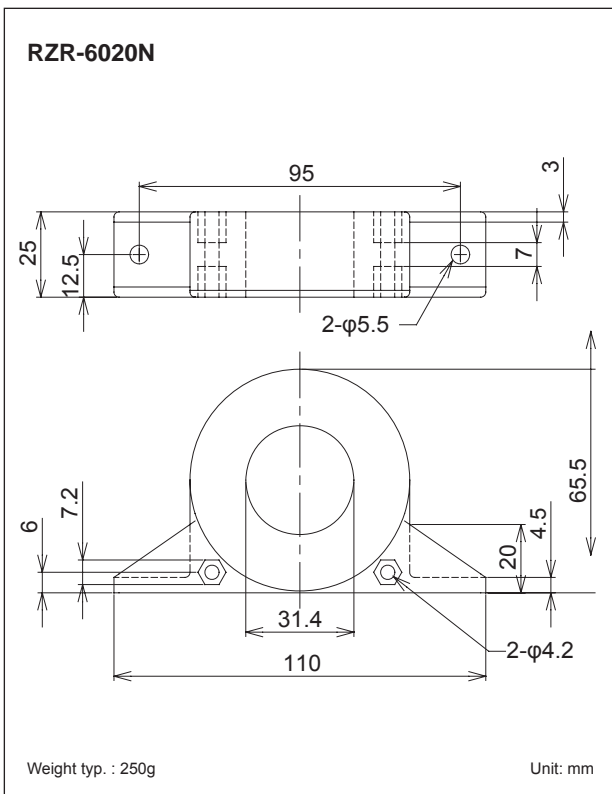
• Characteristic Features



Impedance Frequency Characteristic (1turn)



• Dimensions



• Dimensions

