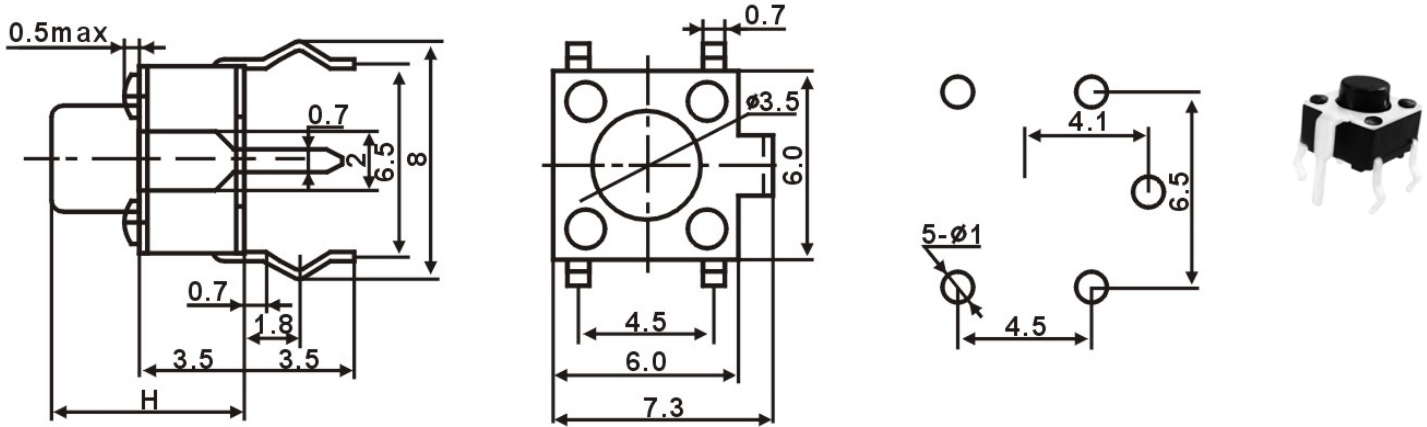


TSS-TC-0112



MODEL NO	H (mm)
TSS-TC-0112	4.3
TSS-TC-0113	5
TSS-TC-0114	7
TSS-TC-0116	8
TSS-TC-A117	8.5
TSS-TC-0118	9.5

CODE	OPERATING FORCE(gf)
T	100±30
V	130±30
X	160±50
W	170±50
Y	190±50
Z	250±100

SPECIFICATIONS

1. RATING:DC 12V 50mA
2. TRAVEL:0.25±0.1mm
3. CONTACT RESISTANCE 100mΩ MAX
4. LIFE: normal 50,000~100,000 times
(over 100,000 times on request)

**We also can supply below H, please send us your inquiry by e-mail and remark what stem length you need.

4.5mm, 5.5mm, 6mm, 6.5mm, 7.5mm, 9mm, 10mm, 10.5mm, 11mm, 11.5mm, 12mm, 13mm, 14mm, 15mm, 16mm, 17mm, 18mm, 19mm, 20mm, 21mm

Note: Specification are subject to change without notice. For more detail and update, please visit our website.

Suntan® Technology Company Limited Website: www.suntan.com.hk Email: info@suntan.com.hk Tel: (852) 8202 8782 Fax: (852) 8208 6246