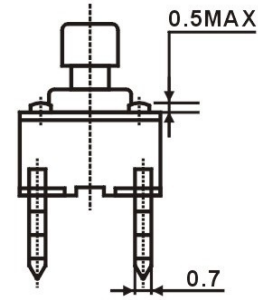
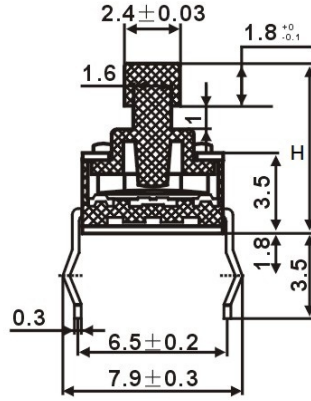
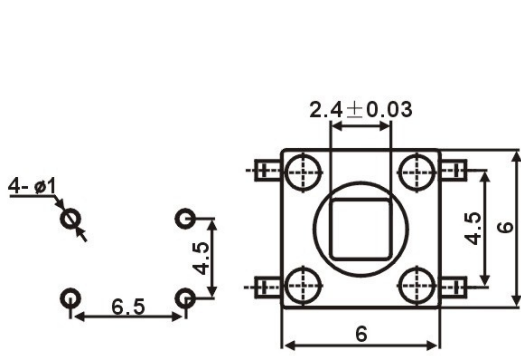


TSS-TC-2401



MODEL NO	Stem Dimension	H (mm)
TSS-TC-2401	2.4×2.4mm	7.1 (Discontinued)
TSS-TC-2402	2.4×2.4mm	7.4 (Discontinued)
TSS-TC-2403	2.4×2.4mm	7.3

CODE	OPERATING FORCE(gf)
T	100±30
V	130±30
X	160±50
W	170±50
Y	190±50
Z	250±100

SPECIFICATIONS

1. RATING:DC 12V 50mA
2. TRAVEL:0.25 ± 0.1mm
3. CONTACT RESISTANCE 100mΩ MAX
4. LIFE: normal 50,000~100,000 times
(over 100,000 times on request)

Note: Specification are subject to change without notice. For more detail and update, please visit our website.