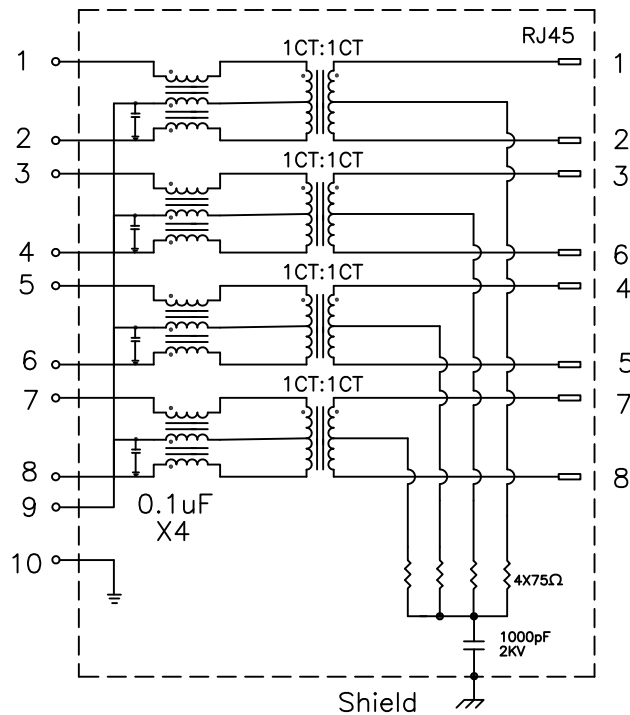


# Schematic:



## Electrical Specifications: 25°C

URNS RATIO: TX 1CT:1CT±3%, RX 1CT:1CT±3%

Isolation Voltage: 1500 Vrms (INPUT to OUTPUT)

OCL: 350uH Minimum @100KHz 100mV 8mADC

Q: 5 Min 100KHz 0.1V

Insertion Loss (0.1MHz–100MHz): –1.2dB Max

Insertion Loss (100MHz–125MHz): –1.4dB Max

Return Loss: –16dB Typ @0.5MHz–40MHz

$$-12+20 \log(f/80\text{MHz}) \text{ Min @40MHz–100MHz}$$

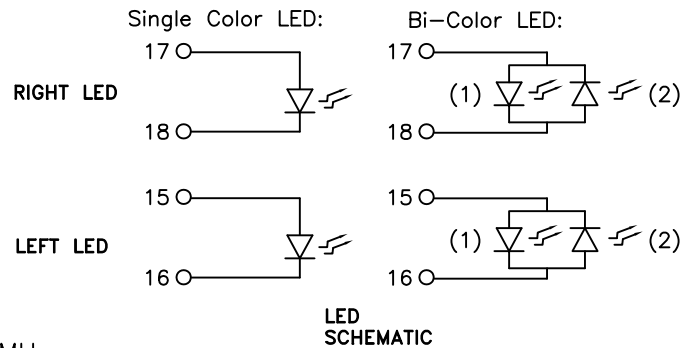
Crosstalk : –33+20log(f/100MHz)dB Min @1MHz to 100MHz

Common to Differential Mode Rejection @100KHz–100MHz: –35dB Min

Common to Common Mode Rejection @100KHz–100MHz: –30dB Min

### Notes:

- Solderability: Leads shall meet MIL–STD–202G, Method 208H for solderability.
- Flammability: UL94V–0
- ASTM oxygen index: > 28%
- UL Recognized Component: File Number E165866
- Operating Temperature Range: All listed parameters are to be within tolerance from –40°C to +85°C
- Storage Temperature Range: –55°C to +125°C
- Aqueous wash compatible
- Electrical and mechanical specifications 100% tested
- RoHS Compliant Component



Complete the Combo P/N as follows:

Replace 'x' & 'u' in the part number with one of the LED color letters:	
Y=Yellow	'x' = Left LED Color
G=Green	'u' = Right LED Color
A=Amber	
R=Red	
C=Green(1)/Amber(2)	Bicolor
D=Amber(1)/Green(2)	Bicolor
M=Green(1)/Yellow(2)	Bicolor
N=Yellow(1)/Green(2)	Bicolor
P=Red(1)/Green(2)	Bicolor
Q=Green(1)/Red(2)	Bicolor
E=Red(1)/Yellow(2)	Bicolor
F=Yellow(1)/Red(2)	Bicolor
H=Amber(1)/Yellow(2)	Bicolor
J=Green(1)/Green(2)	Bicolor

Single Color LED:

Bi-Color LED:

DOC. REV. A/3

**PROPRIETARY:**

Document is the property of XFMRS Group & is not allowed to be duplicated without authorization.

**XFMRS Inc.**  
www.XFMRS.com

Title:  
**1x4 Tab Up COMBO SERIES**

UNLESS OTHERWISE SPECIFIED  
TOLERANCES:  
.xxx ±0.010

P/N: XFGIG8–CTBLxu4–4

REV. A

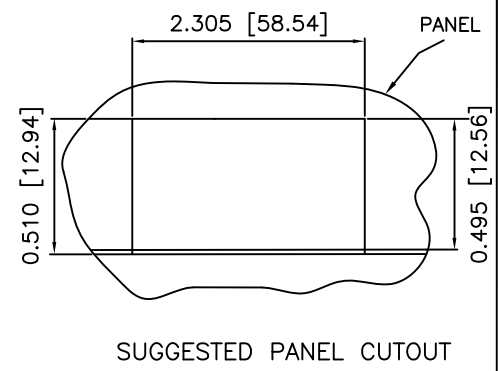
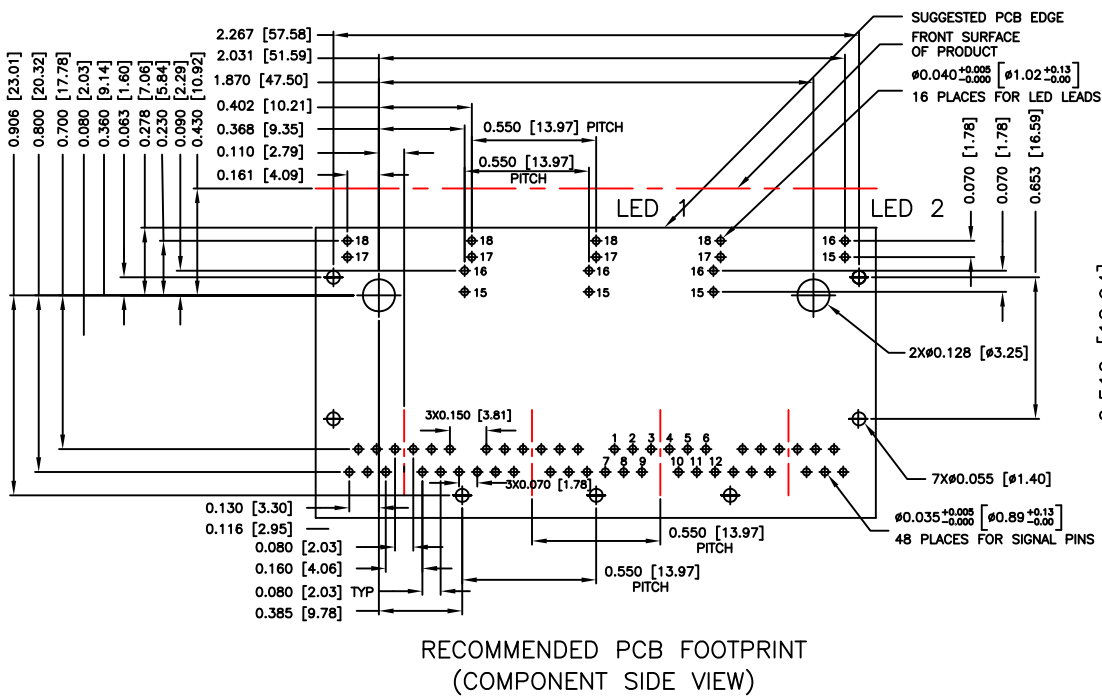
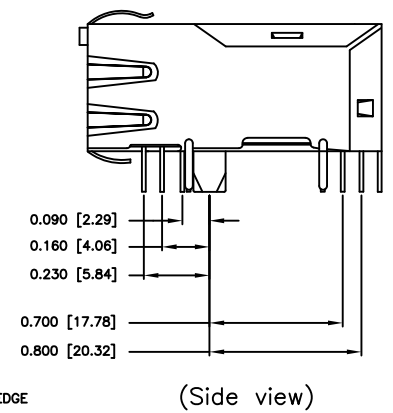
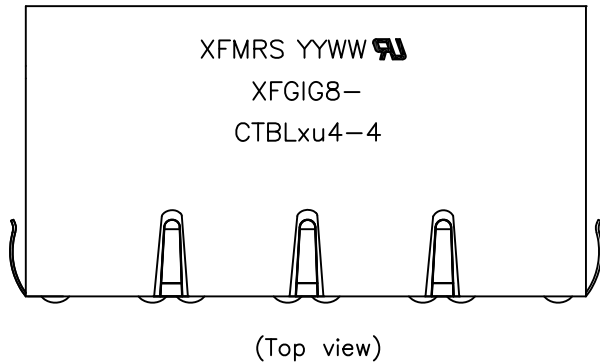
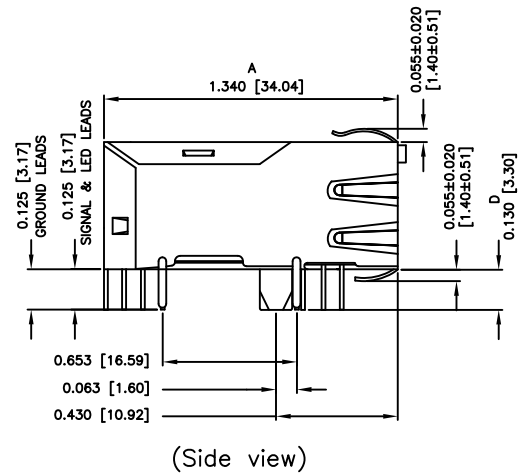
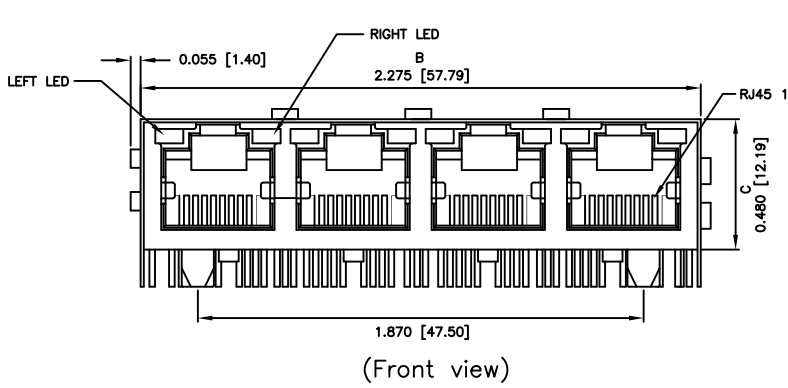
SHEET 1 OF 2

DWN. Yuan Jan–08–13

CHK. YK Liao Jan–08–13

APP. BW Jan–08–13

# Mechanical Dimensions:



DOC REV: A/3

<b>XFMRS Inc.</b> <a href="http://www.XFMRS.com">www.XFMRS.com</a>		Title: "1.34" Inch 1x4 TAB UP COMBO w/ LED'S	
UNLESS OTHERWISE SPECIFIED TOLERANCES: .xxx ±0.010 Dimensions in Inch(mm)		P/N: XFIG8-CTBLxu4-4	REV. A
DWN.	Yuan	Jan-08-13	
CHK.	YK Liao	Jan-08-13	
SHEET 2 OF 2	APP. BW	Jan-08-13	

**PROPRIETARY:**  
 Document is the property of XFMRS Group & is not allowed to be duplicated without authorization.