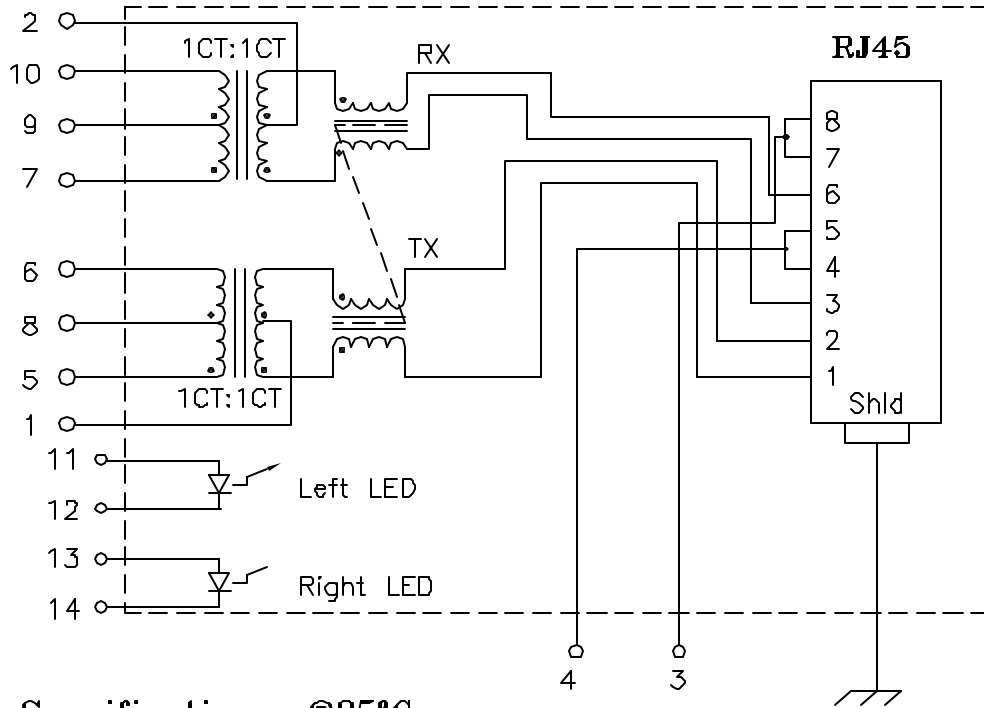


Schematic:



Electrical Specifications: @25°C

- Isolation Voltage: 2000 Vdc (Input to Output)
- Isolation Voltage: 500 Vrms (P5+6+8 to P7+9+10)
- Isolation Voltage: 500 Vrms (J1+2, J3+6, J4+5 & J7+8, all combinations)
- Isolation Voltage: 500 Vrms (P3 to P4)
- Turns Ratio: TX 1CT:1CT ±3% RX 1CT:1CT ±3%
- Q: 16 Min @100KHz 0.1V
- Insertion Loss: 1.2dB Max @1-100 MHz
- Return Loss: 1-30MHz 40MHz 50MHz 60-80MHz
 - 16dB 14dB 13dB 12dB (Min)
- Differential to Common Mode Rejection:
 - 30MHz 60MHz 100MHz
 - 50dB 43dB 35dB (Min)
- Cross Talk: 30MHz 60MHz 100MHz
 - 43dB 37dB 33dB (Min)
- DC Current: 350mA through the xfmr center taps.
- DC Current: 1.5A/pin, J4,5,7&8.
- DC Current: Pins 10&9 3A Each

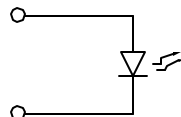
Notes:

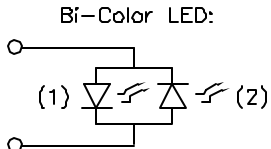
1. Solderability: Leads shall meet MIL-STD-202G, Method 208H for solderability.
2. Flammability: UL94V-0
3. ASTM oxygen index: > 28%
4. Insulation System: Class F 155°C. UL file E151558
5. Operating Temperature Range: All listed parameters are to be within tolerance from -40°C to +85°C
6. Storage Temperature Range: -55°C to +125°C
7. Aqueous wash compatible
8. Electrical and mechanical specifications 100% tested
9. RoHS Compliant Component

DOC REV: A/1

Complete the Combo P/N as follows:

Replace 'x' & 'u' in the part number with one of the LED color letters:
 Y=Yellow 'x' = Left LED Color
 G=Green 'u' = Right LED Color
 A=Amber
 R=Red
 C=Green(1)/Amber(2) Bicolor
 D=Amber(1)/Green(2) Bicolor
 M=Green(1)/Yellow(2) Bicolor
 N=Yellow(1)/Green(2) Bicolor
 P=Red(1)/Green(2) Bicolor
 Q=Green(1)/Red(2) Bicolor
 E=Red(1)/Yel(2) Bicolor

Single Color LED: 

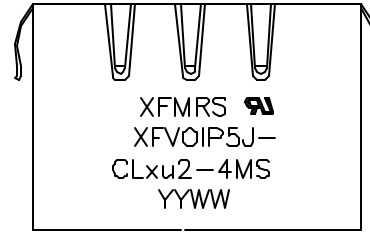
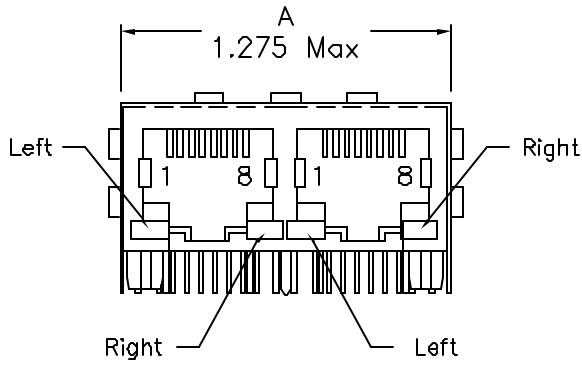
Bi-Color LED: 

PROPRIETARY:

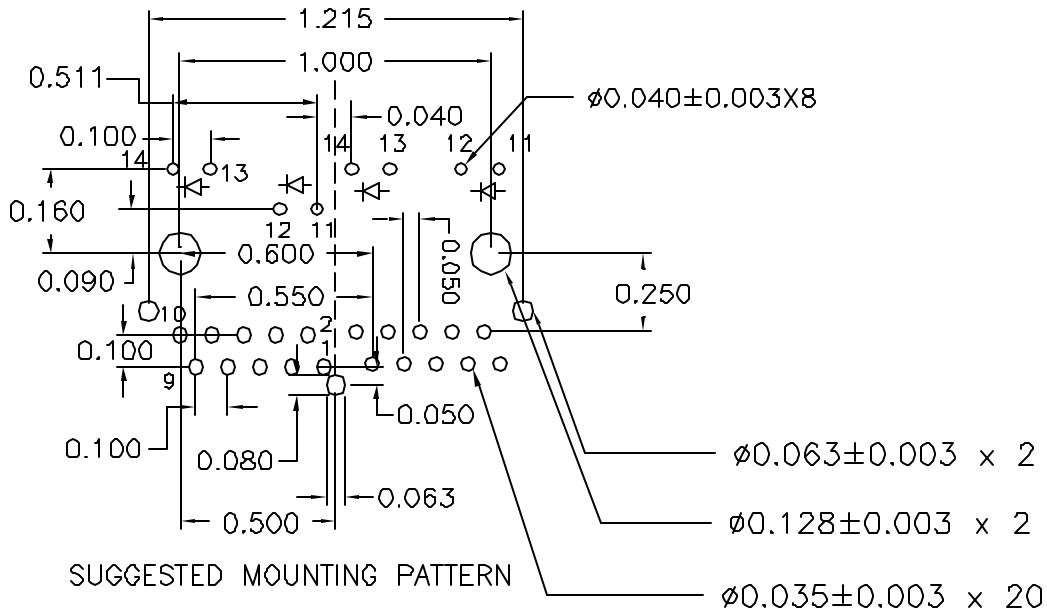
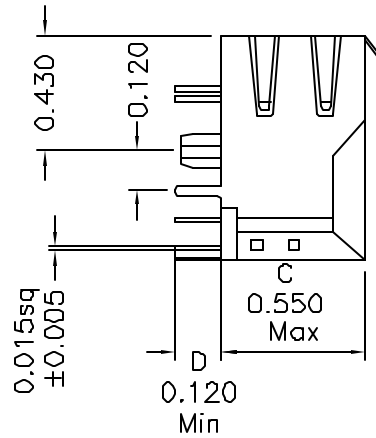
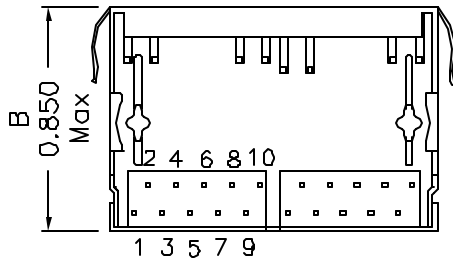
Document is the property of XFMRs Group & is not allowed to be duplicated without authorization.

XFMRs Inc. www.XFMRs.com	Title: DUAL PORT COMBO		
	UNLESS OTHERWISE SPECIFIED TOLERANCES: .xxx ±0.010	P/N: XFVOIP5J-CLxu2-4MS	REV. A
Dimensions in Inch	DWN.	Xianyí	May-06-09
SHEET 1 OF 2	CHK.	YK Liao	May-06-09
	APP.	Joe Huff	May-06-09

Mechanical Dimensions: (FOR CLxu2-4MS)



TOP VIEW



XFMRS Inc www.XFMRS.com	Title: Mechanical Dimensions For CLxu2-4MS Series		
	UNLESS OTHERWISE SPECIFIED TOLERANCES: .xxx ±0.010 Dimensions in Inch	P/N: XFOIP5J-CLxu2-4MS	REV. A
Doc. Rev: A/1	APP. Joe Huff	May-06-09	May-06-09
SHEET 2 OF 2	May-06-09		

PROPRIETARY:
 Document is the property of XFMRS Group & is not allowed to be duplicated without authorization.