

LOC	DIST	REVISIONS					
GP	00	P	LTN	DESCRIPTION	DATE	DWN	APVD
		A		RELEASED PER ECO-08-025381	15OCT2008	RG	PD
		B		REV PER ECO-10-004250	03MAR2010	RG	MS
		B1		REV PER ECO-15-015062	04FEB2016	SZ	SZ
		B2		ECO-16-005324	06APR2016	SZ	SZ

1 RECOMMENDED PRINTED CIRCUIT BOARD HOLE DIMENSIONS FOR COMPLIANT TAILS:
 FINISHED HOLE TIN PLATING: $\varnothing 0.56 \pm 0.05$
 FINISHED HOLE BARE COPPER: $\varnothing 0.575 \pm 0.05$
 DRILLED HOLE: $\varnothing 0.65 \pm 0.02$
 COPPER PLATING THICKNESS (MAX HARDNESS 150 KNOOP): 0.025-0.050
 TIN PLATING THICKNESS (MIN): 0.0038-0.0124
 ORGANIC SOLDERABILITY PRESERVATIVE (OSP): USE WITH BARE COPPER.

2 PC BOARD THICKNESS 1.6mm MINIMUM.
 3 DAUGHTERCARD PC BOARD THICKNESS IS $1.6\text{mm} \pm 10\%$. DIMENSION FROM PCB EDGE TO PLATED PAD SAND OPTIONAL PCB EDGE CHAMFERS ARE BASED ON 2 OZ. MAX. THICK COPPER LAYERS TYPICAL FOR POWER APPLICATIONS AND 1mm PCB PROFILE CHAMFER TO PREVENT COPPER EDGE FROM ENGAGING BEFORE PCB SUBSTRATE MATERIAL.

4 26.90mm TO \varnothing OF ADJACENT CROWN EDGE CONNECTOR.
 5 MATERIAL: HOUSING AND OVERMOLDS: LCP, BLACK, UL94V-0 RATED
 CONTACTS: COPPER ALLOY.

6 FINISH: MATING AREA- 0.76 μm MIN. GOLD OVER 3.81 MICROMETER MIN. NICKEL PLATE.
 0.64 μm MIN. GOLD ON ADJACENT FLAT SIDES IN MATING AREA.
 COMPLIANT PIN AREA- 1.27 μm MIN. MATTE TIN PLATE OVER 1.27 μm MIN.
 NICKEL PLATE. MATING AREA AND ADJACENT FLAT SIDES LUBRICATED
 WITH BELLCORE APPROVED LUBRICANT. TECHNICAL REFERENCE
 GR-1217-CORE ISSUE 1, NOVEMBER 1995.

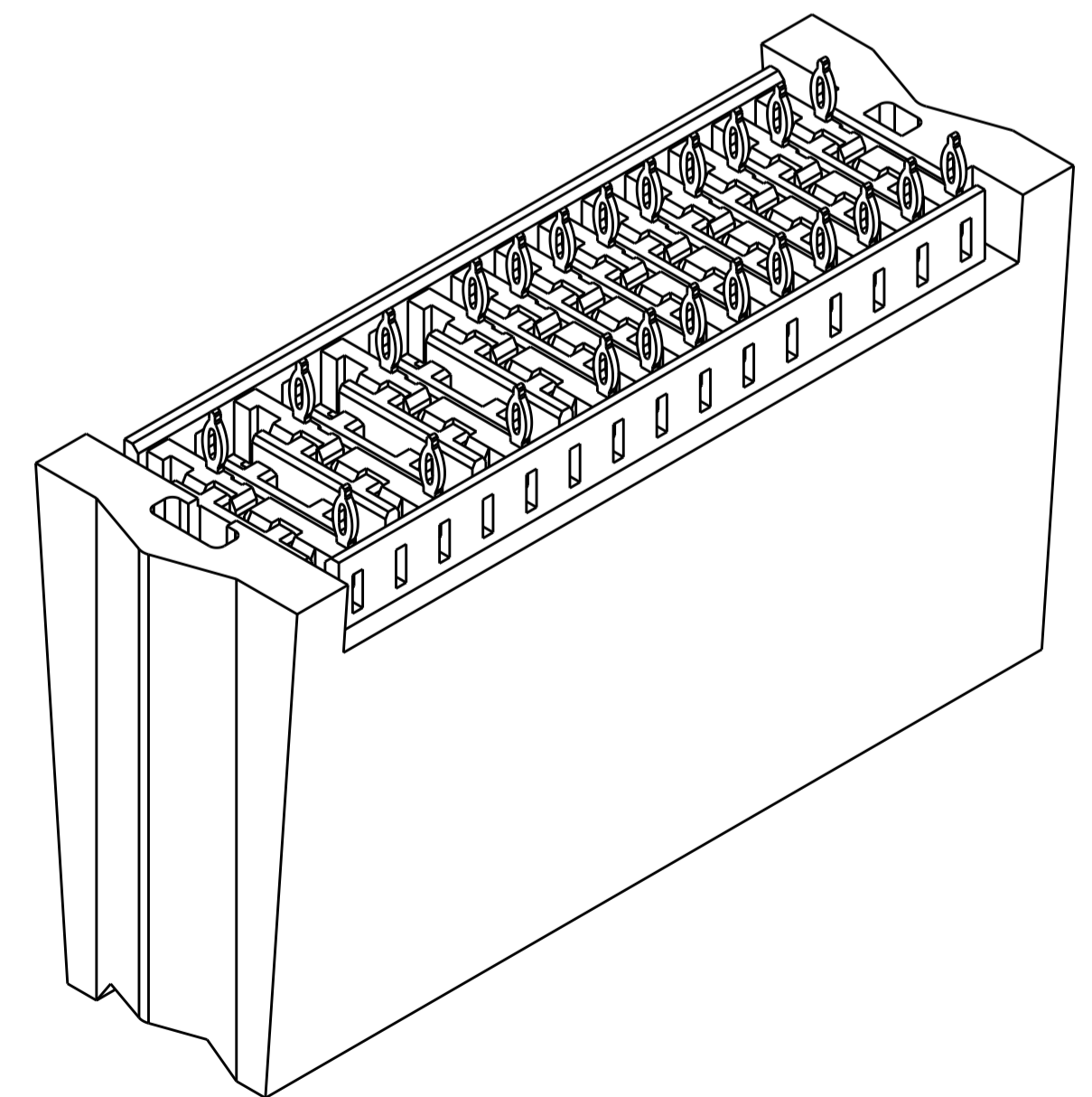
7 FINISH: MATING AREA- 1.27 μm MIN. GOLD OVER 3.81 μm MIN. NICKEL PLATE
 0.64 μm MIN. GOLD ON ADJACENT FLAT SIDES IN MATING AREA.
 COMPLIANT PIN AREA- 1.27 μm MIN. MATTE TIN PLATE OVER 1.27 μm MIN.
 NICKEL PLATE. MATING AREA AND ADJACENT FLAT SIDES LUBRICATED
 WITH BELLCORE APPROVED LUBRICANT. TECHNICAL REFERENCE
 GR-1217-CORE ISSUE 1, NOVEMBER 1995.

8 FINISH: MATING AREA- 0.76 μm MIN. GOLD OVER 1.27 μm MIN. NICKEL PLATE.
 0.076 μm MIN. GOLD ON ADJACENT FLAT SIDES IN MATING AREA.
 COMPLIANT PIN AREA- 1.27 μm MIN. MATTE TIN PLATE OVER 1.27 μm MIN.
 NICKEL PLATE. MATING AREA AND ADJACENT FLAT SIDES LUBRICATED
 WITH BELLCORE APPROVED LUBRICANT. TECHNICAL REFERENCE GR-1217-CORE
 ISSUE 1, NOVEMBER 1995.

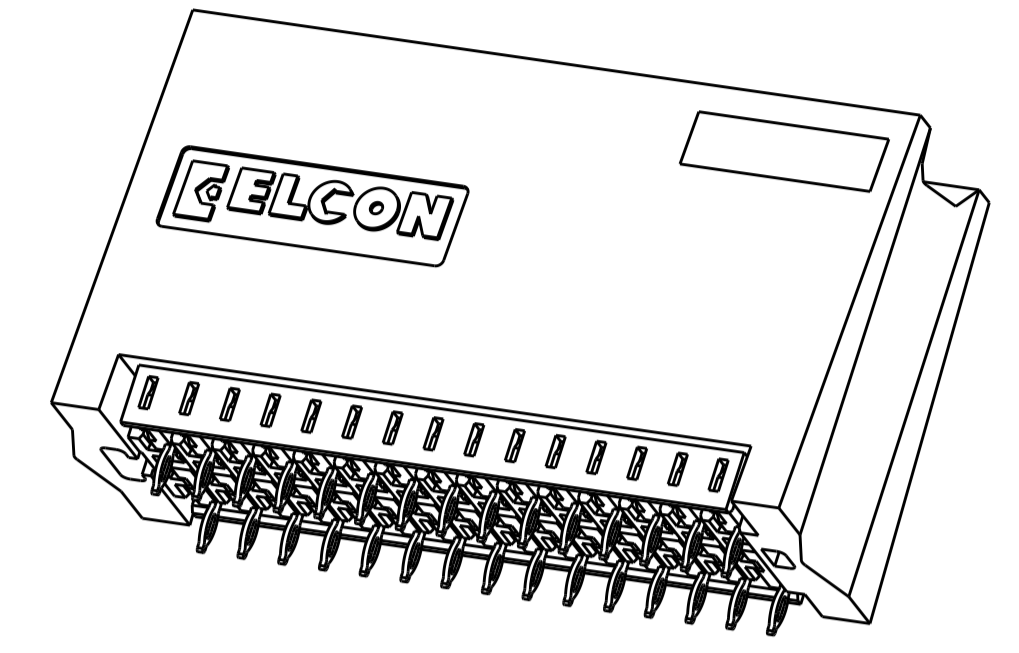
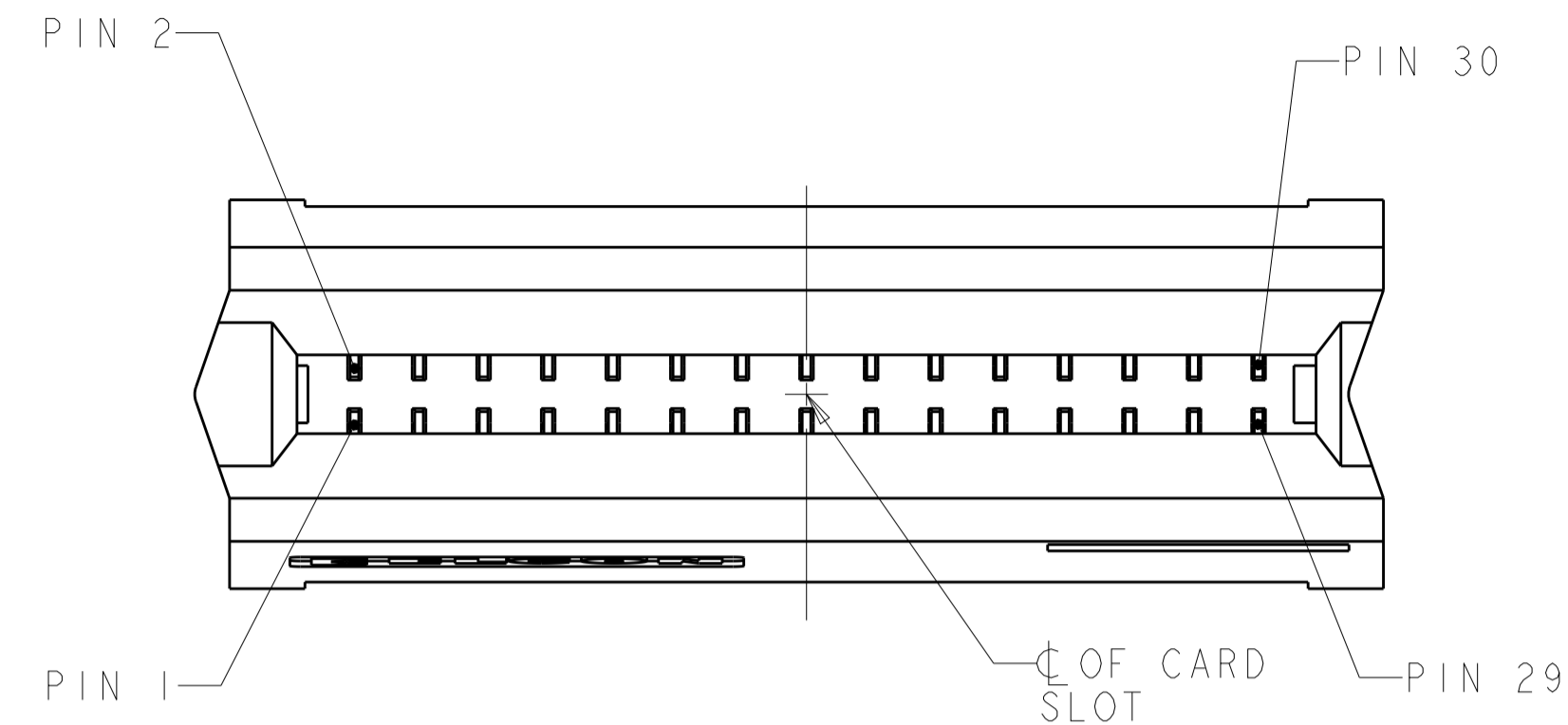
9 450 LBS MAXIMUM FORCE ALLOWED ON TOP OF HOUSING DURING APPLICATION TO PCB TO PREVENT HOUSING DAMAGE.

10 FINISH: MATING AREA- 2.54 μm MIN. GOLD OVER 3.81 μm MIN. NICKEL PLATE
 0.64 μm MIN. GOLD ON ADJACENT FLAT SIDES IN MATING AREA.
 COMPLIANT PIN AREA- 1.27 μm MIN. MATTE TIN PLATE OVER 1.27 μm MIN.
 NICKEL PLATE. MATING AREA AND ADJACENT FLAT SIDES LUBRICATED
 WITH BELLCORE APPROVED LUBRICANT. TECHNICAL REFERENCE
 GR-1217-CORE ISSUE 1, NOVEMBER 1995.

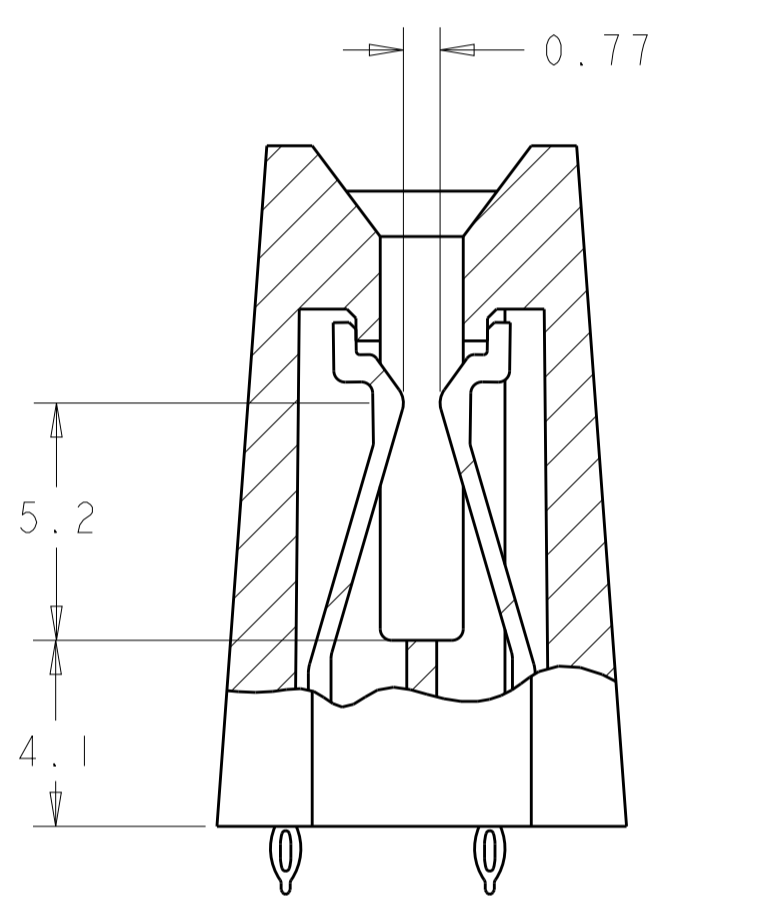
11 PREPRODUCTION, FASR REQUIRED
 12 PART NUMBER WITH PIN OMITTED, SEE TABLE FOR LOCATION



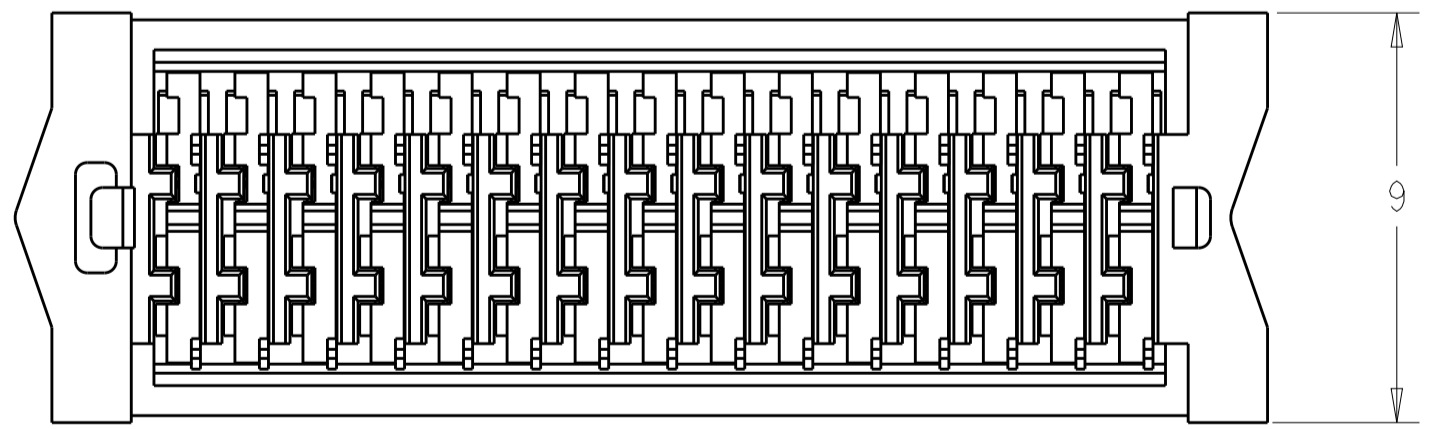
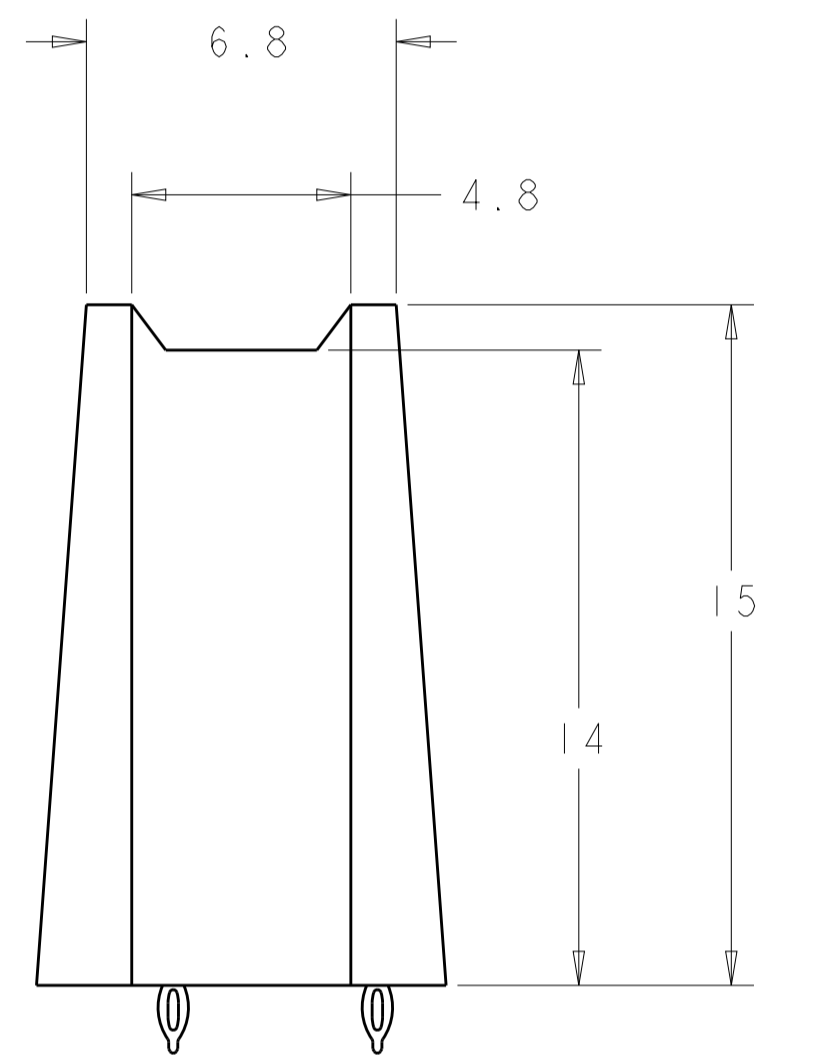
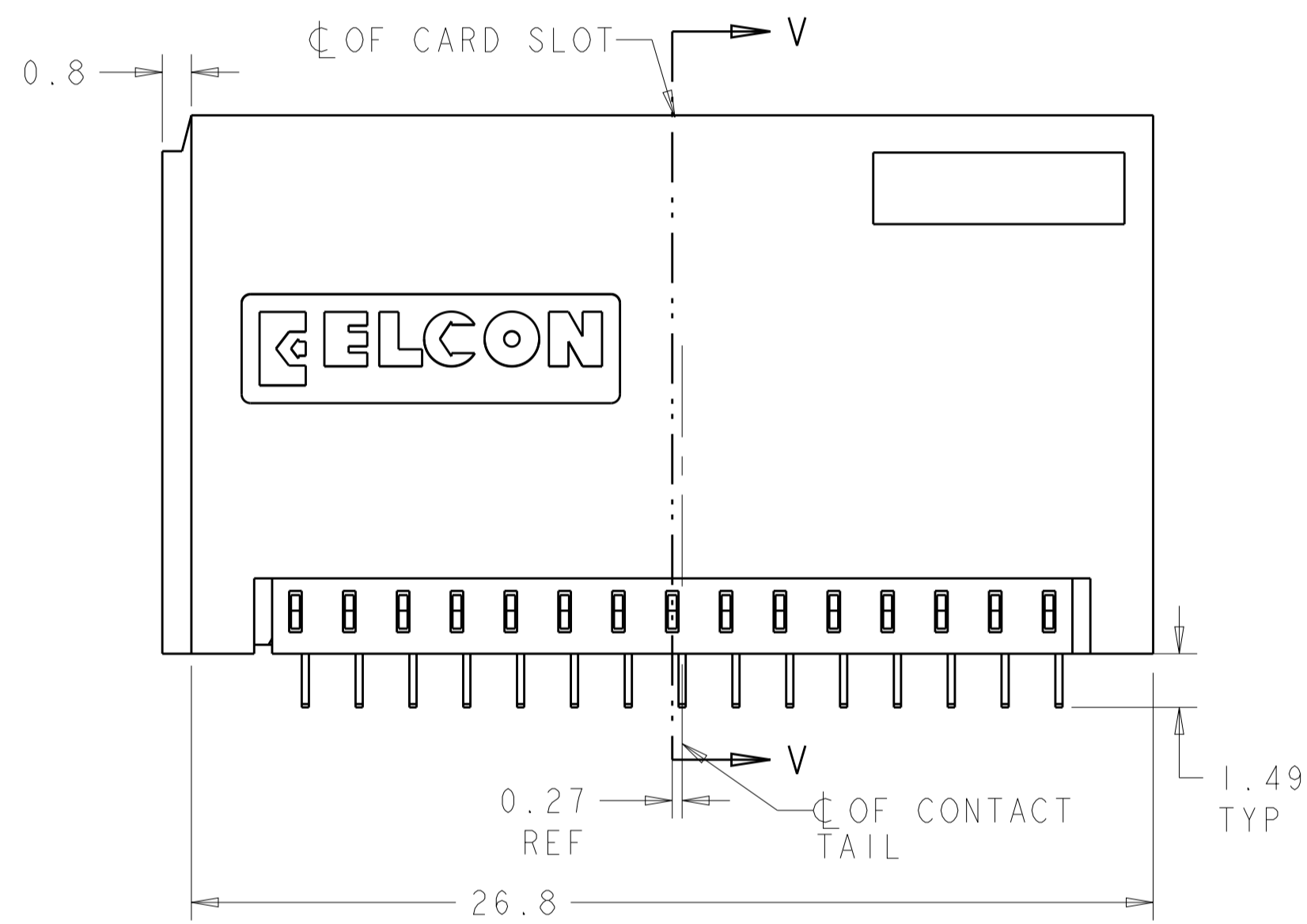
1926088-5
 WITH PIN 3,4,7,8,11,12 OMITTED



SCALE 4:1



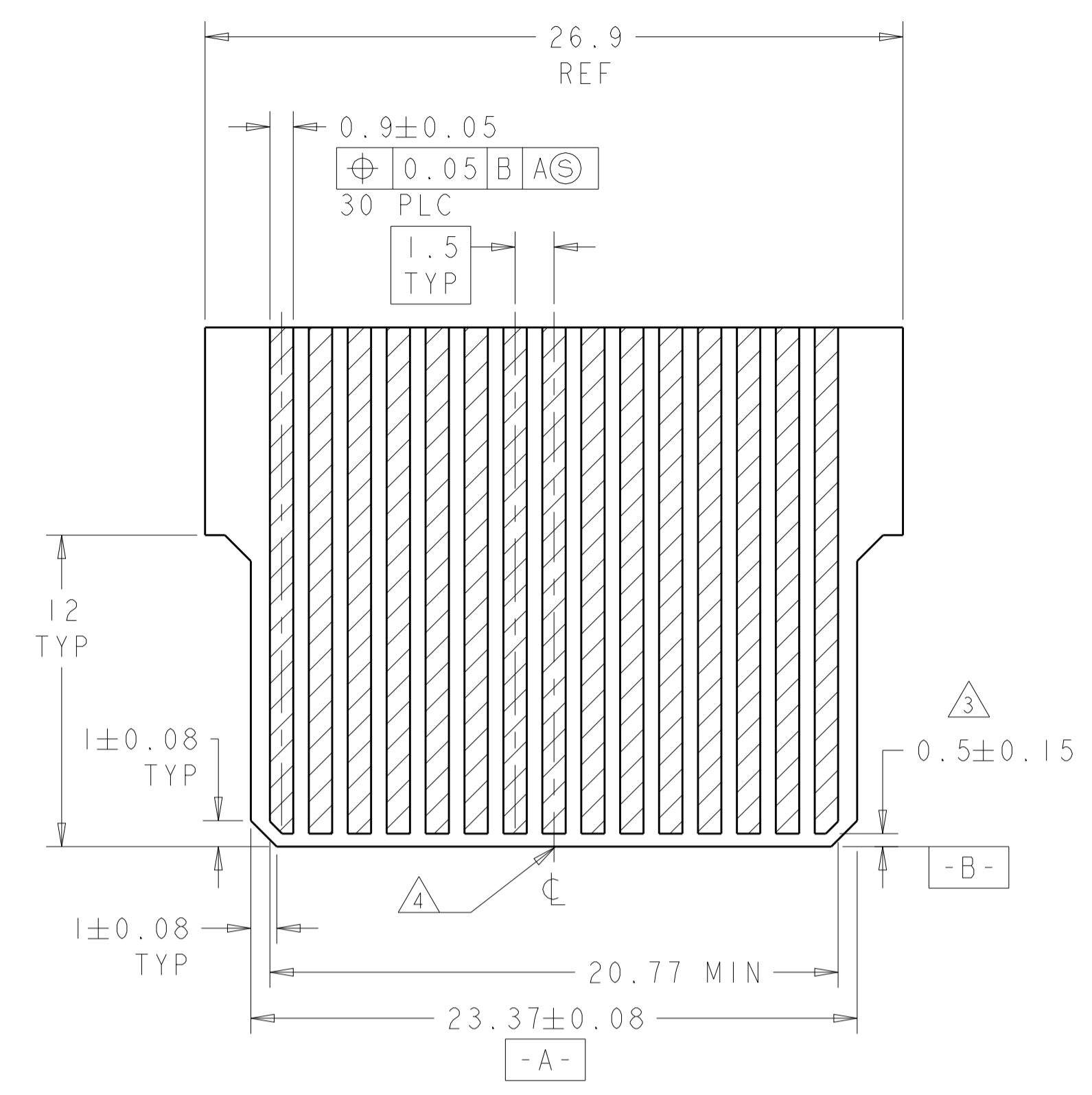
SECTION V-V



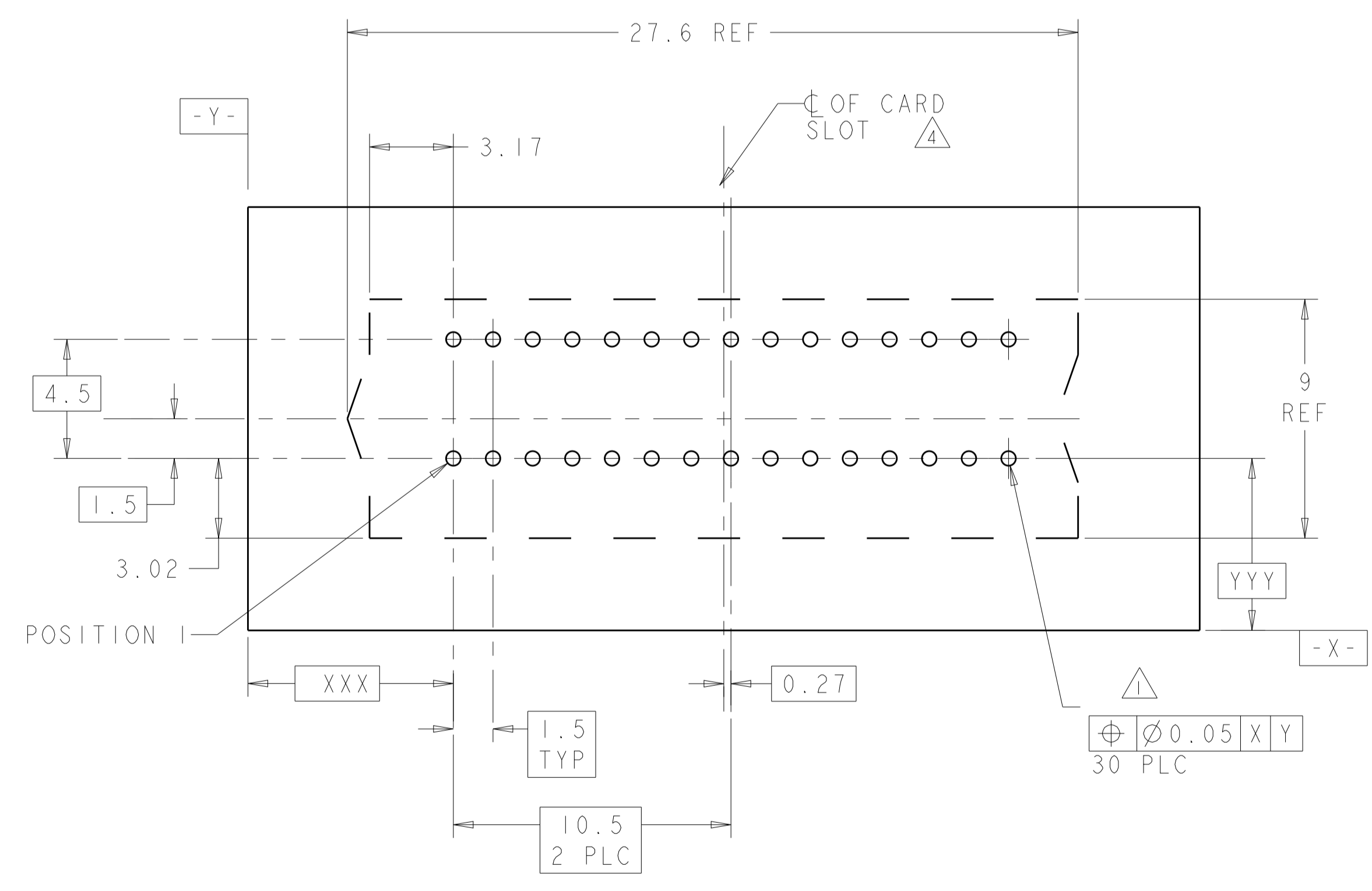
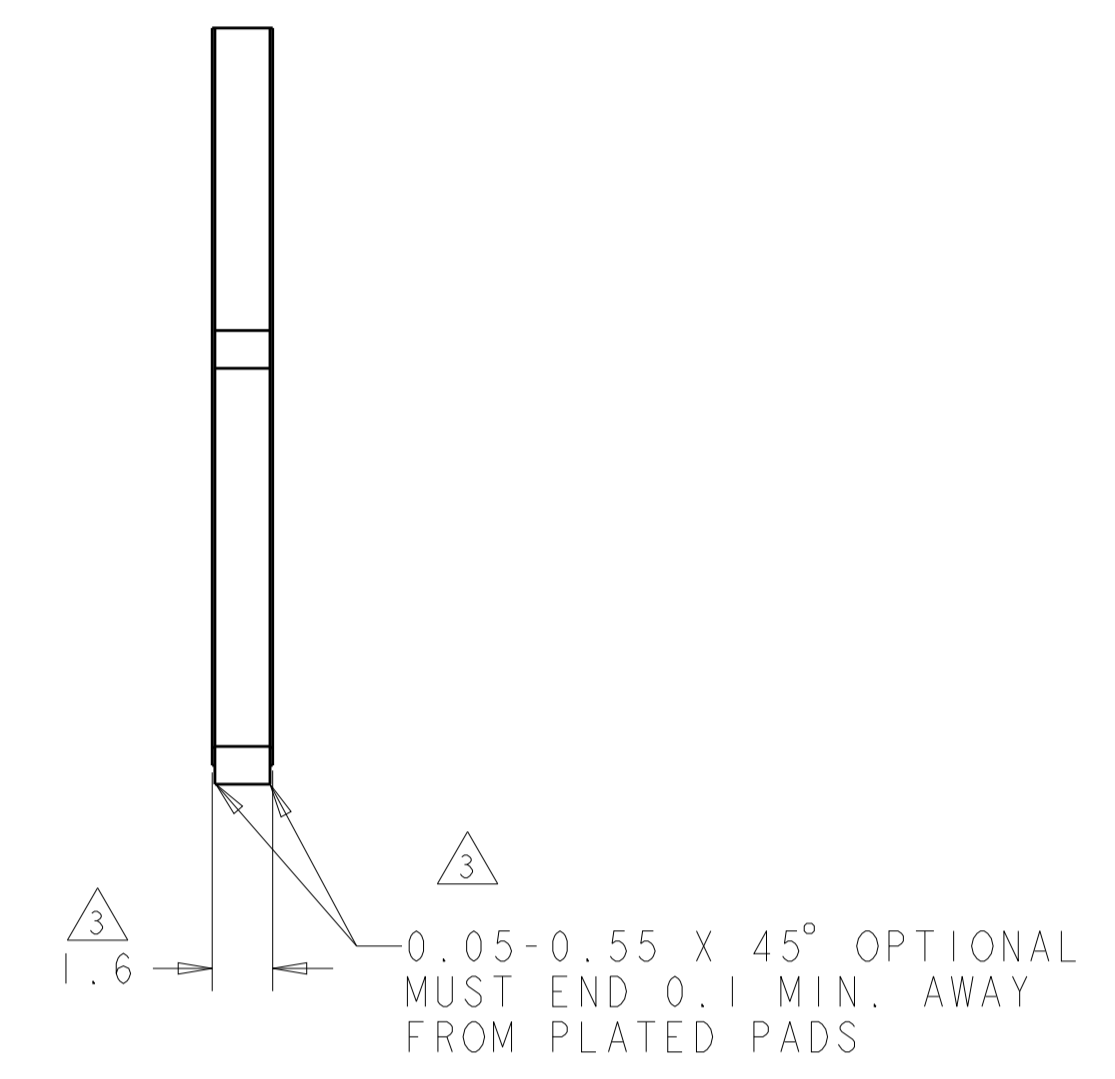
3, 4, 7, 8, 11, 12		1926088-5
		1926088-4
		1926088-3
		1926088-2
		1926088-1
OMITTED PIN	42R4709	
OMITTED PIN	IBM PART NO	FINISH
OMITTED PIN	IBM PART NO	PART NO

DIMENSIONS: mm 		TOLERANCES UNLESS OTHERWISE SPECIFIED: 0 PLC ± 0.25 1 PLC ± 0.25 2 PLC ± 0.13 3 PLC ± 0.08 4 PLC ± 0.08 ANGLES $\pm 1^\circ$		DWN: JIM VAN SCOOC 06MAR2006 CHK: N. REESER 06MAR2006 APVD: N. REESER 06MAR2006		tyco Electronics Tyco Electronics Harrisburg, PA 17105-3608	
MATERIAL: -		FINISH: -		NAME: ASSEMBLY, CROWN EDGE, VERTICAL CARD EDGE, 30 SIGNAL POSITION		SIZE: A1 CAGE CODE: 00779 DRAWING NO: C=1926088	
CUSTOMER DRAWING		SCALE: 3:1		SHEET 1 OF 2		REV: B2	

LOC	DIST	REVISIONS			
P	LTN	DESCRIPTION	DATE	DWN	APVD
-	-	SEE SHEET 1	-	-	-



DOUBLE SIDED PCB DAUGHTERCARD



PCB BOARD LAYOUT COMPONENT SIDE SHOWN

DIMENSIONS: mm 		TOLERANCES UNLESS OTHERWISE SPECIFIED: 0 PLC ±0.25 1 PLC ±0.25 2 PLC ±0.13 3 PLC ±0.08 4 PLC ± ANGLES ±1°		DWN 06MAR2006 CHK N. REESER 06MAR2006 APVD N. REESER 06MAR2006		Tyco Electronics Harrisburg, PA 17105-3608	
MATERIAL FINISH		WEIGHT CUSTOMER DRAWING		NAME ASSEMBLY, CROWN EDGE, VERTICAL CARD EDGE, 30 SIGNAL POSITION SIZE CAGE CODE DRAWING NO A100779C=1926088		RESTRICTED TO SCALE 3:1 SHEET 2 OF 2 REV B2	