

## GERMANIUM POWER TRANSISTORS

Type Number	Case Type	V <sub>CEO</sub> V	V <sub>CE0</sub> V	V <sub>ES0</sub> V	V <sub>CS0</sub> V	V <sub>CS0</sub> V	CURRENT GAIN			SATURATION VOLTAGES			θ <sub>JC</sub> °C/W
							Min.	Max.	V <sub>CE</sub> @ I <sub>C</sub> V	V <sub>CE(sat)</sub> V	V <sub>BE(sat)</sub> V	I <sub>C</sub> @ I <sub>B</sub> A	

### 4 AMP GERMANIUM PNP

2N234A	TO-3	25				25		25								
2N235B	TO-3	25		15.0		35		34	40	2.0						
2N255A	TO-3	15		15.0		15		25		2.0						
2N256A	TO-3	30		15.0		25		25		2.0						
2N257	TO-3	40		6.0		20		20		2.0						
2N553	TO-3	80		40.0				40	80	2.0	.5	.90	1.50	.3	.220	2.00
2N663	TO-3	50	25	20.0				25	75	2.0	.5	1.00		.3	.600	1.20
2N1159	TO-3	80	60	20.0				30	75	2.0	3.0	.07		3.0	.200	1.20

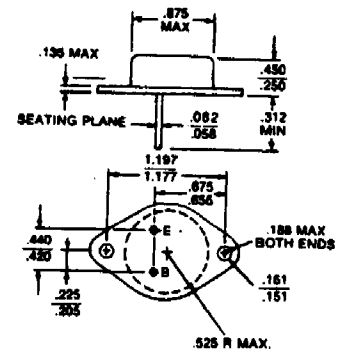
### 5 AMP GERMANIUM PNP

2N350	TO-3	50		10.0		30	20	60	2.0	.7	.40			3.0	.300	.80
2N350A	TO-3	50		25.0		40	20	60	2.0	.7	1.75			3.0	.300	.80
2N351	TO-3	50		10.0		30	25	90	2.0	.7	.40			3.0	.300	.80
2N351A	TO-3	50		25.0		40	25	90	2.0	.7	1.75			4.0	.400	.80
2N376	TO-3	50		10.0		30	35	120	2.0	.7	.40			3.0	.300	.80
2N376A	TO-3	50		25.0		40	35	120	2.0	.7	1.75			5.0	.500	.80
2N665	TO-3	80		40.0		40	40	80	2.0	.5	.90			3.0	.200	1.00
2N669	TO-3	40		20.0		30	75	250	2.0	.5				3.0	.300	.80
2N1011	TO-3	80	40	40.0		80	30	75	2.0	3.0	.15			3.0	.300	2.00
2N1168	TO-3	50		20.0		30	70	110	2.0	1.0	.25			3.0	.100	1.50
2N1529	TO-3	40	20	20.0		30	20	40	2.0	3.0	1.50			3.0	.300	1.20
2N1529A	TO-3	40	20	20.0		30	20	40	2.0	3.0	1.50			3.0	.300	.80
2N1530	TO-3	60	30	30.0		45	20	40	2.0	3.0	1.50			3.0	.300	.80
2N1530A	TO-3	60	30	30.0		45	20	40	2.0	3.0	1.50			3.0	.300	.80
2N1531	TO-3	80	40	40.0		60	20	40	2.0	3.0	1.50			3.0	.300	.80
2N1531A	TO-3	80		40.0		60	20	40	2.0	3.0	1.50			3.0	.300	.80
2N1532	TO-3	100	50	50.0		75	20	40	2.0	3.0	1.50			3.0	.300	.80
2N1532A	TO-3	100		50.0		75	20	40	2.0	3.0	1.50			3.0	.300	.80
2N1533	TO-3	120	60	60.0		90	20	40	2.0	3.0	1.50			3.0	.300	.80
2N1534	TO-3	40	20	20.0		30	35	70	2.0	3.0	1.20			3.0	.300	.80
2N1534A	TO-3	40		20.0		30	35	70	2.0	3.0	1.20			3.0	.300	.80
2N1535	TO-3	60	30	30.0		45	35	70	2.0	3.0	1.20			3.0	.300	.80
2N1535A	TO-3	60		30.0		45	35	70	2.0	3.0	1.20			3.0	.300	.80
2N1536	TO-3	80	40	40.0		60	35	70	2.0	3.0	1.20			3.0	.300	.80
2N1536A	TO-3	80		40.0		60	35	70	2.0	3.0	1.20			3.0	.300	.80
2N1537	TO-3	100	50	50.0		75	35	70	2.0	3.0	1.20			3.0	.300	.80
2N1537A	TO-3	100		50.0		75	35	70	2.0	3.0	1.20			3.0	.300	.80
2N1538	TO-3	120	60	60.0		90	35	70	2.0	3.0	1.20			3.0	.300	.80
2N1539	TO-3	40	20	20.0		30	50	100	2.0	3.0	.30			3.0	.300	.80
2N1539A	TO-3	40		20.0		30	50	100	2.0	3.0	.30			3.0	.300	.80
2N1540	TO-3	60	30	30.0		45	50	100	2.0	3.0	.30			3.0	.300	.80
2N1540A	TO-3	60		30.0		45	50	100	2.0	3.0	.30			3.0	.300	.80
2N1541	TO-3	80	40	40.0		60	50	100	2.0	3.0	.30			3.0	.300	.80
2N1541A	TO-3	80		40.0		60	50	100	2.0	3.0	.30			3.0	.300	.80
2N1542	TO-3	100	50	50.0		75	50	100	2.0	3.0	.30			3.0	.300	.80
2N1542A	TO-3	100		50.0		75	50	100	2.0	3.0	.30			3.0	.300	.80
2N1543	TO-3	120	60	60.0		90	50	100	2.0	3.0	.30			3.0	.300	.80
2N1543A	TO-3	120		60.0		90	50	100	2.0	3.0	.30			3.0	.300	.80
2N1544	TO-3	40	20	20.0		30	75	150	2.0	3.0	.20			3.0	.300	.80
2N1544A	TO-3	40	20	20.0		30	75	150	2.0	3.0	.20			3.0	.300	.80
2N1545	TO-3	60	30	30.0		45	75	150	2.0	3.0	.20			3.0	.300	.80
2N1545A	TO-3	60	30	30.0		45	75	150	2.0	3.0	.20			3.0	.300	.80
2N1546	TO-3	80	40	40.0		60	75	150	2.0	3.0	.20			3.0	.300	.80
2N1546A	TO-3	80	40	40.0		60	75	150	2.0	3.0	.20			3.0	.300	.80
2N1547	TO-3	100	50	50.0		75	75	150	2.0	3.0	.20			3.0	.300	.80
2N1547A	TO-3	100	50	50.0		75	75	150	2.0	3.0	.20			3.0	.300	.80
2N1548	TO-3	120	60	60.0		90	75	150	2.0	3.0	.20			3.0	.300	.80
2N1971	TO-3	80		40.0		25	60	2.0	.5					3.0	.300	2.00
2N2266	MT-36	80	55			25	75	2.0	5.0	.75			5.50	5.0	.667	1.20
2N2267	MT-36	100	55			25	75	2.0	5.0	.75			5.50	5.0	.667	1.20

### 6 AMP GERMANIUM PNP

2N1136	TO-3	60		15.0		35		50	100	5.0	3.0	1.0		3.0	.300	1.20
2N1136A	TO-3	90		15.0		65		50	100	5.0	3.0	1.0		3.0	.300	1.20
2N1136B	TO-3	100		15.0		75		50	100	5.0	3.0	1.0		3.0	.300	1.20
2N1137	TO-3	60	25	15.0		35		75	150	5.0	3.0	1.0		3.0	.300	1.20
2N1137A	TO-3	90	55	15.0		65		75	150	5.0	3.0	1.0		3.0	.300	1.20

### MODIFIED TO-3 (60 mil pins)



### MT-36

