

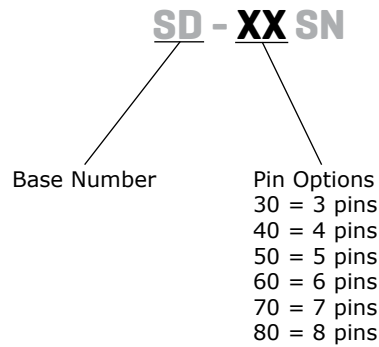
SERIES: SD-XXSN | **DESCRIPTION:** STANDARD DIN CONNECTOR

FEATURES

- panel mount
- vertical
- shielded



PART NUMBER KEY



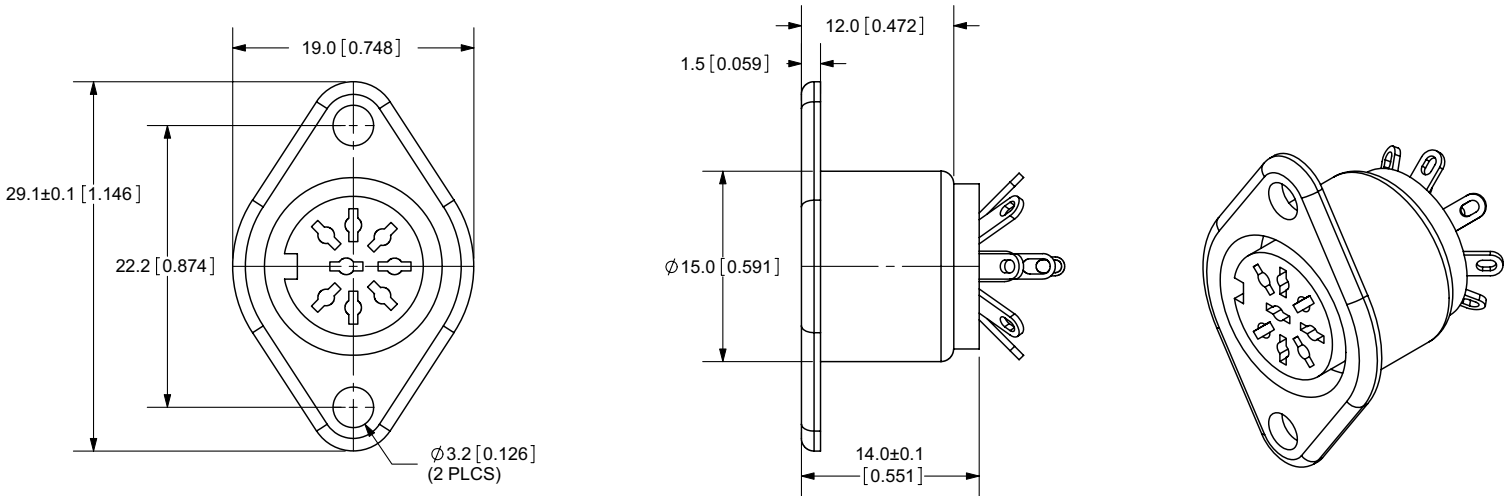
SPECIFICATIONS

| parameter | conditions/description | min | typ | max | units |
|-----------------------|-----------------------------|--------|-----------|----------|------------|
| rated input voltage | | | 100 12 | | Vac Vdc |
| rated input current | at 100 Vac at 12 Vdc | | | 1 2 | A A |
| contact resistance | | | | 30 | mΩ |
| insulation resistance | at 500 Vdc | 100 | | | MΩ |
| voltage withstand | for 1 minute | | | 1,000 | Vac |
| insertion force | SD-40SN all other models | | | 6.5 4 | kg kg |
| withdrawal force | SD-40SN all other models | 1 1 | | 5 3.5 | kg kg |
| operating temperature | | 5 | | 70 | °C |
| life | | | 5,000 | | cycles |
| flammability rating | UL94V-0 | | | | |
| RoHS | 2011/65/EU | | | | |

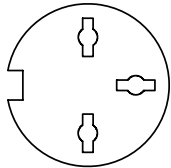
MECHANICAL DRAWINGS

units: mm[inches]
tolerance: ±0.2mm

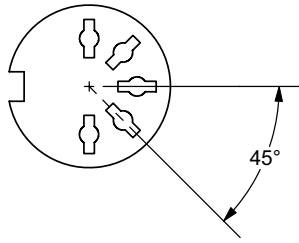
| | MATERIAL | PLATING |
|---------------------------------|-------------------|---------|
| earth terminal | phosphor bronze | tin |
| contact pins (SD-40SN) | brass | tin |
| contact pins (all other models) | brass | silver |
| socket case | cold rolled steel | nickel |
| insulator | PBT | |



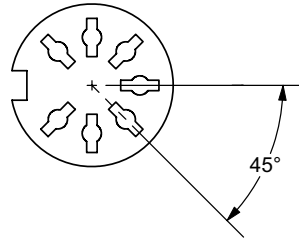
SD-30SN



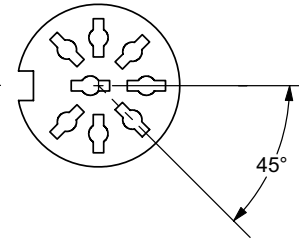
SD-50SN



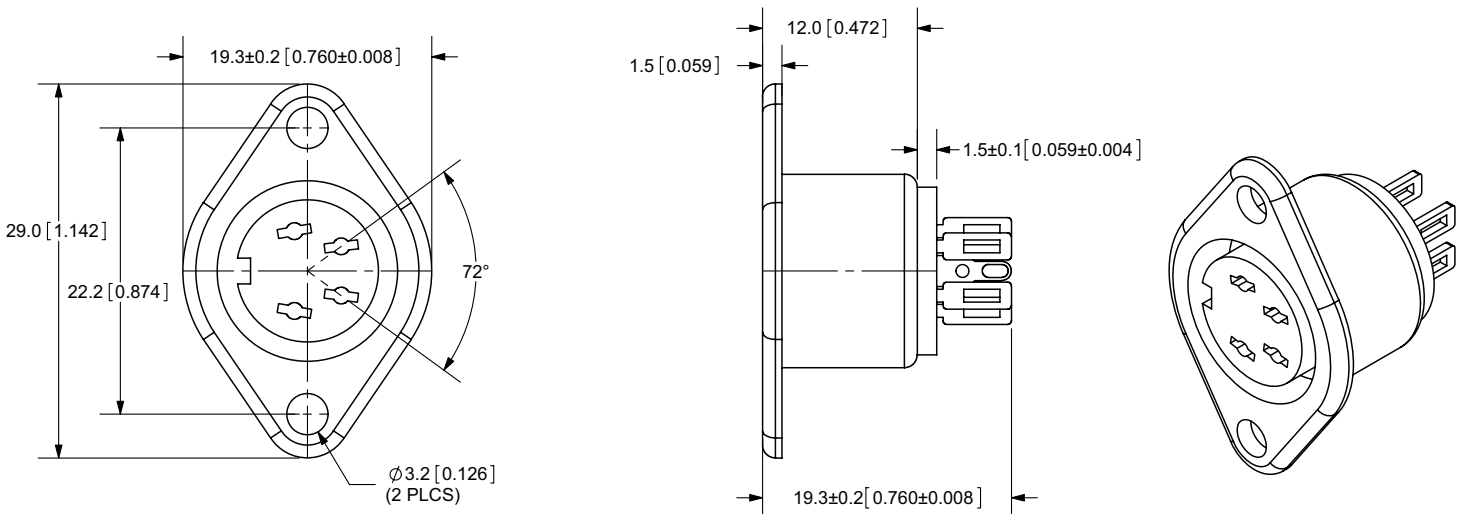
SD-70SN



SD-80SN



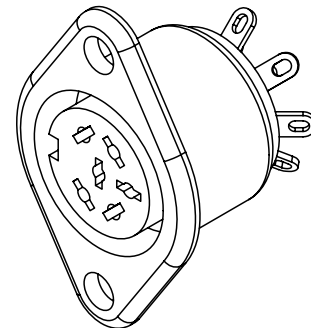
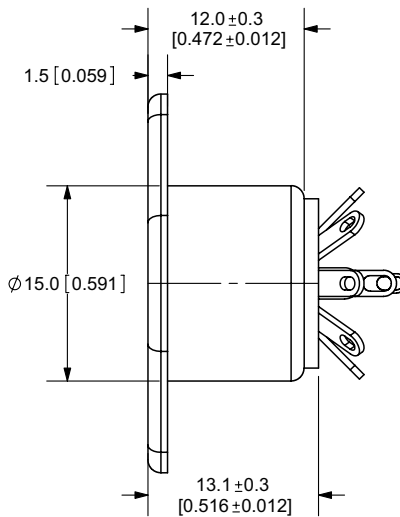
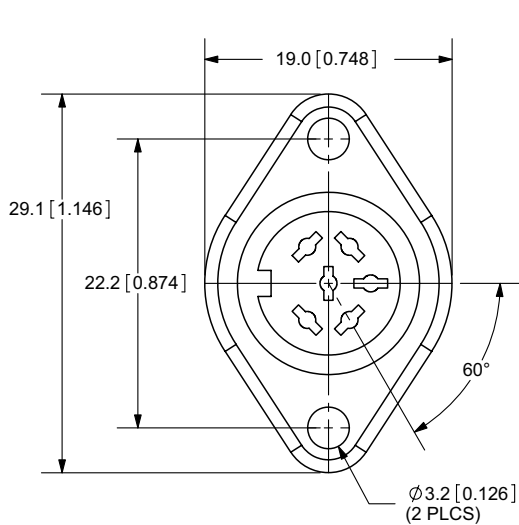
SD-40SN



MECHANICAL DRAWINGS (CONTINUED)

units: mm[inches]
tolerance: ± 0.2 mm

SD-60SN



REVISION HISTORY

| rev. | description | date |
|------|---------------------------------------|------------|
| 1.0 | initial release | 02/23/2006 |
| 1.01 | new template applied | 02/10/2012 |
| 1.02 | housing dimensions of SD-40SN changed | 05/21/2014 |
| 1.03 | housing dimensions of SD-60SN changed | 09/01/2015 |

The revision history provided is for informational purposes only and is believed to be accurate.



Headquarters
20050 SW 112th Ave.
Tualatin, OR 97062
800.275.4899

Fax 503.612.2383
cui.com
techsupport@cui.com

CUI offers a one (1) year limited warranty. Complete warranty information is listed on our website.

CUI reserves the right to make changes to the product at any time without notice. Information provided by CUI is believed to be accurate and reliable. However, no responsibility is assumed by CUI for its use, nor for any infringements of patents or other rights of third parties which may result from its use.

CUI products are not authorized or warranted for use as critical components in equipment that requires an extremely high level of reliability. A critical component is any component of a life support device or system whose failure to perform can be reasonably expected to cause the failure of the life support device or system, or to affect its safety or effectiveness.