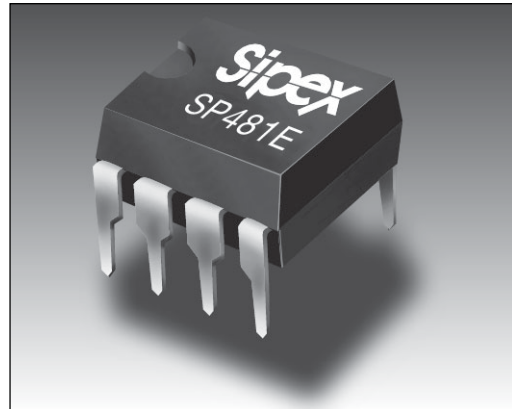




SP481E/SP485E

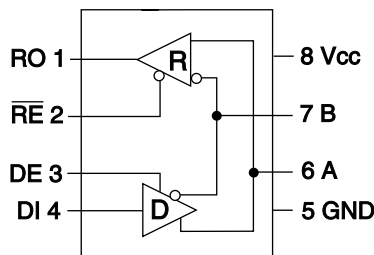
## Enhanced Low Power Half-Duplex RS-485 Transceivers

- +5V Only
- Low Power BiCMOS
- Driver/Receiver Enable for Multi-Drop configurations
- Low Power Shutdown Mode (**SP481E**)
- Enhanced ESD Specifications:
  - ±15KV Human Body Model
  - ±15KV IEC1000-4-2 Air Discharge
  - ±8KV IEC1000-4-2 Contact Discharge



### DESCRIPTION

The **SP481E** and the **SP485E** are a family of half-duplex transceivers that meet the specifications of RS-485 and RS-422 serial protocols with enhanced ESD performance. The ESD tolerance has been improved on these devices to over  $\pm 15\text{KV}$  for both Human Body Model and IEC1000-4-2 Air Discharge Method. These devices are pin-to-pin compatible with Sipex's SP481 and SP485 devices as well as popular industry standards. As with the original versions, the **SP481E** and the **SP485E** feature Sipex's BiCMOS design allowing low power operation without sacrificing performance. The **SP481E** and **SP485E** meet the requirements of the RS-485 and RS-422 protocols up to 10Mbps under load. The **SP481E** is equipped with a low power Shutdown mode.



SP481E and SP485E

## ABSOLUTE MAXIMUM RATINGS

These are stress ratings only and functional operation of the device at these ratings or any other above those indicated in the operation sections of the specifications below is not implied. Exposure to absolute maximum rating conditions for extended periods of time may affect reliability.

|                       |                                  |
|-----------------------|----------------------------------|
| V <sub>CC</sub> ..... | +7V                              |
| Input Voltages        |                                  |
| Logic.....            | -0.3V to (V <sub>CC</sub> +0.5V) |
| Drivers.....          | -0.3V to (V <sub>CC</sub> +0.5V) |
| Receivers.....        | ±15V                             |

|   |                                  |
|---|----------------------------------|
| Output Voltages                                 |                                  |
| Logic.....                                      | -0.3V to (V <sub>CC</sub> +0.5V) |
| Drivers.....                                    | ±15V                             |
| Receivers.....                                  | -0.3V to (V <sub>CC</sub> +0.5V) |
| Storage Temperature.....                        | -65°C to +150°C                  |
| Power Dissipation per Package                   |                                  |
| 8-pin NSOIC (derate 6.60mW/°C above +70°C)..... | 550mW                            |
| 8-pin PDIP (derate 11.8mW/°C above +70°C).....  | 1000mW                           |

## SPECIFICATIONS

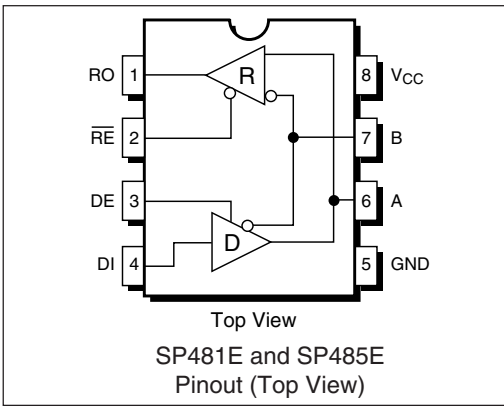
T<sub>MIN</sub> to T<sub>MAX</sub> and V<sub>CC</sub> = 5V ± 5% unless otherwise noted.

| PARAMETERS   | MIN. | TYP. | MAX.            | UNITS | CONDITIONS  |
|--|------|------|-----------------|-------|---|
| <b>SP481E/SP485E DRIVER</b>  |      |      |                 |       |   |
| <b>DC Characteristics</b>  |      |      |                 |       |   |
| Differential Output Voltage  | GND  |      | V <sub>CC</sub> | Volts | Unloaded; R = ∞ ; see Figure 1  |
| Differential Output Voltage  | 2    |      | V <sub>CC</sub> | Volts | with load; R = 50Ω; (RS-422); see Figure 1  |
| Differential Output Voltage  | 1.5  |      | V <sub>CC</sub> | Volts | with load; R = 27Ω; (RS-485); see Figure 1  |
| Change in Magnitude of Driver Differential Output Voltage for Complimentary States |      |      | 0.2             | Volts | R = 27Ω or R = 50Ω; see Figure 1  |
| Driver Common-Mode Output Voltage  |      |      | 3               | Volts | R = 27Ω or R = 50Ω; see Figure 1  |
| Input High Voltage   | 2.0  |      |                 | Volts | Applies to DE, DI, RE   |
| Input Low Voltage  |      |      | 0.8             | Volts | Applies to DE, DI, RE   |
| Input Current  |      |      | ±10             | μA    | Applies to DE, DI, RE   |
| Driver Short-Circuit Current   |      |      | ±250            | mA    | -7V ≤ V <sub>O</sub> ≤ +12V   |
| V <sub>OUT</sub> = HIGH  |      |      | ±250            | mA    | -7V ≤ V <sub>O</sub> ≤ +12V   |
| V <sub>OUT</sub> = LOW   |      |      |                 |       |   |
| <b>SP481E/SP485E DRIVER</b>  |      |      |                 |       |   |
| <b>AC Characteristics</b>  |      |      |                 |       |   |
| Maximum Data Rate  | 10   |      |                 | Mbps  | RE = 5V, DE = 5V; R <sub>DIFF</sub> = 54Ω, C <sub>L1</sub> = C <sub>L2</sub> = 100pF  |
| Driver Input to Output   | 20   | 30   | 60              | ns    | t <sub>PLH</sub> ; R <sub>DIFF</sub> = 54Ω, C <sub>L1</sub> = C <sub>L2</sub> = 100pF; see Figures 3 and 5  |
| Driver Input to Output (SP485EMN ONLY)   | 20   | 30   | 80              | ns    | t <sub>PLH</sub> ; R <sub>DIFF</sub> = 54Ω, C <sub>L1</sub> = C <sub>L2</sub> = 100pF; See Figures 3 and 5  |
| Driver Input to Output   | 20   | 30   | 60              | ns    | t <sub>PHL</sub> ; R <sub>DIFF</sub> = 54Ω, C <sub>L1</sub> = C <sub>L2</sub> = 100pF; see Figures 3 and 5  |
| Driver Input to Output (SP485EMN ONLY)   | 20   | 30   | 80              | ns    | t <sub>PHL</sub> ; R <sub>DIFF</sub> = 54Ω, C <sub>L1</sub> = C <sub>L2</sub> = 100pF; see Figures 3 and 5  |
| Driver Skew  |      | 5    | 10              | ns    | see Figures 3 and 5,  |
| Driver Rise or Fall Time   | 3    | 15   | 40              | ns    | t <sub>SKREW</sub> =  t <sub>DPLH</sub> - t <sub>DPHL</sub>  <br>From 10% to 90%; R <sub>DIFF</sub> = 54Ω, C <sub>L1</sub> = C <sub>L2</sub> = 100pF; see Figures 3 & 6 |
| Driver Enable to Output High closed  |      | 40   | 70              | ns    | C <sub>L</sub> = 100pF; see Figures 4 & 6; S <sub>2</sub>   |
| Driver Enable to Output Low closed   |      | 40   | 70              | ns    | C <sub>L</sub> = 100pF; see Figures 4 & 6; S <sub>1</sub>   |
| Driver Disable Time from Low closed  |      | 40   | 70              | ns    | C <sub>L</sub> = 100pF; see Figures 4 & 6; S <sub>1</sub>   |
| Driver Disable Time from High closed   |      | 40   | 70              | ns    | C <sub>L</sub> = 100pF; see Figures 4 & 6; S <sub>2</sub>   |

# SPECIFICATIONS (continued)

T<sub>MIN</sub> to T<sub>MAX</sub> and V<sub>CC</sub> = 5V ± 5% unless otherwise noted.

| PARAMETERS   | MIN.  | TYP. | MAX.  | UNITS | CONDITIONS   |
|--|-------|------|-------|-------|--|
| <b>SP481E/SP485E RECEIVER</b>                            |       |      |       |       |  |
| <b>DC Characteristics</b>                                |       |      |       |       |  |
| Differential Input Threshold                             | -0.2  |      | +0.2  | Volts | -7V ≤ V <sub>CM</sub> ≤ +12V   |
| Differential Input Threshold (SP485EMN ONLY)             | -0.4  |      | +0.4  | Volts | -7V ≤ V <sub>CM</sub> ≤ +12V   |
| Input Hysteresis   |       | 20   |       | mV    | V <sub>CM</sub> = 0V   |
| Output Voltage High                                      | 3.5   |      |       | Volts | I <sub>O</sub> = -4mA, V <sub>ID</sub> = +200mV  |
| Output Voltage Low                                       |       |      | 0.4   | Volts | I <sub>O</sub> = +4mA, V <sub>ID</sub> = -200mV  |
| Three-State (High Impedance) Output Current              |       |      | ±1    | μA    | 0.4V ≤ V <sub>O</sub> ≤ 2.4V; RE = 5V  |
| Input Resistance   | 12    | 15   |       | kΩ    | -7V ≤ V <sub>CM</sub> ≤ +12V   |
| Input Current (A, B); V <sub>IN</sub> = 12V              |       |      | +1.0  | mA    | DE = 0V, V <sub>CC</sub> = 0V or 5.25V, V <sub>IN</sub> = 12V  |
| Input Current (A, B); V <sub>IN</sub> = -7V              |       |      | -0.8  | mA    | DE = 0V, V <sub>CC</sub> = 0V or 5.25V, V <sub>IN</sub> = -7V  |
| Short-Circuit Current                                    | 7     |      | 95    | mA    | 0V ≤ V <sub>O</sub> ≤ V <sub>CC</sub>  |
| <b>SP481E/SP485E RECEIVER</b>                            |       |      |       |       |  |
| <b>AC Characteristics</b>                                |       |      |       |       |  |
| Maximum Data Rate  | 10    |      |       | Mbps  | RE = 0V, DE = 0V   |
| Receiver Input to Output                                 | 20    | 45   | 100   | ns    | t <sub>PLH</sub> ; R <sub>DIFF</sub> = 54Ω, C <sub>L1</sub> = C <sub>L2</sub> = 100pF; Figures 3 & 7 |
| Receiver Input to Output                                 | 20    | 45   | 100   | ns    | t <sub>PHL</sub> ; R <sub>DIFF</sub> = 54Ω, C <sub>L1</sub> = C <sub>L2</sub> = 100pF; Figures 3 & 7 |
| Diff. Receiver Skew  t <sub>PLH</sub> - t <sub>PHL</sub> |       | 13   |       | ns    | R <sub>DIFF</sub> = 54Ω; C <sub>L1</sub> = C <sub>L2</sub> = 100pF; Figures 3 & 7                    |
| Receiver Enable to Output Low                            |       | 45   | 70    | ns    | C <sub>RL</sub> = 15pF; Figures 2 & 8; S <sub>1</sub> closed   |
| Receiver Enable to Output High                           |       | 45   | 70    | ns    | C <sub>RL</sub> = 15pF; Figures 2 & 8; S <sub>2</sub> closed   |
| Receiver Disable from Low                                |       | 45   | 70    | ns    | C <sub>RL</sub> = 15pF; Figures 2 & 8; S <sub>1</sub> closed   |
| Receiver Disable from High                               |       | 45   | 70    | ns    | C <sub>RL</sub> = 15pF; Figures 2 & 8; S <sub>2</sub> closed   |
| <b>SP481E</b>  |       |      |       |       |  |
| <b>Shutdown Timing</b>                                   |       |      |       |       |  |
| Time to Shutdown   | 50    | 200  | 600   | ns    | RE = 5V, DE = 0V   |
| Driver Enable from Shutdown to Output High               |       | 40   | 100   | ns    | C <sub>L</sub> = 100pF; See Figures 4 & 6; S <sub>2</sub> closed                                     |
| Driver Enable from Shutdown to Output Low                |       | 40   | 100   | ns    | C <sub>L</sub> = 100pF; See Figures 4 & 6; S <sub>1</sub> closed                                     |
| Receiver Enable from Shutdown to Output High             |       | 300  | 1000  | ns    | C <sub>L</sub> = 15pF; See Figures 2 & 8; S <sub>2</sub> closed                                      |
| Receiver Enable from Shutdown to Output Low              |       | 300  | 1000  | ns    | C <sub>L</sub> = 15pF; See Figures 2 & 8; S <sub>1</sub> closed                                      |
| <b>POWER REQUIREMENTS</b>                                |       |      |       |       |  |
| Supply Voltage   | +4.75 |      | +5.25 | Volts |  |
| Supply Current   |       |      |       |       |  |
| <b>SP481E/485E</b>                                       |       |      |       |       |  |
| No Load  |       | 900  |       | μA    | RE, DI = 0V or V <sub>CC</sub> ; DE = V <sub>CC</sub>  |
|  |       | 600  |       | μA    | RE = 0V, DI = 0V or 5V; DE = 0V  |
| <b>SP481E</b>  |       |      |       |       |  |
| Shutdown Mode  |       |      | 10    | μA    | DE = 0V, RE = V <sub>CC</sub>  |
| <b>ENVIRONMENTAL AND MECHANICAL</b>                      |       |      |       |       |  |
| Operating Temperature                                    |       |      |       |       |  |
| Commercial (_C_)   | 0     |      | +70   | °C    |  |
| Industrial (_E_)   | -40   |      | +85   | °C    |  |
| (_M_)  | -40   |      | +125  | °C    |  |
| Storage Temperature                                      |       |      |       |       |  |
| Package  | -65   |      | +150  | °C    |  |
| Plastic DIP (_P)   |       |      |       |       |  |
| NSOIC (_N)   |       |      |       |       |  |



### PIN FUNCTION

- Pin 1 – RO – Receiver Output.
- Pin 2 –  $\overline{RE}$  – Receiver Output Enable Active LOW.
- Pin 3 – DE – Driver Output Enable Active HIGH.
- Pin 4 – DI – Driver Input.
- Pin 5 – GND – Ground Connection.
- Pin 6 – A – Driver Output/Receiver Input Non-inverting.
- Pin 7 – B – Driver Output/Receiver Input Inverting.
- Pin 8 – Vcc – Positive Supply  $4.75V < V_{cc} < 5.25V$ .

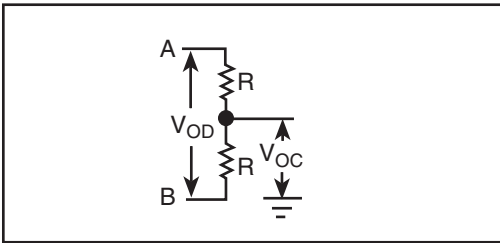


Figure 1. RS-485 Driver DC Test Load Circuit

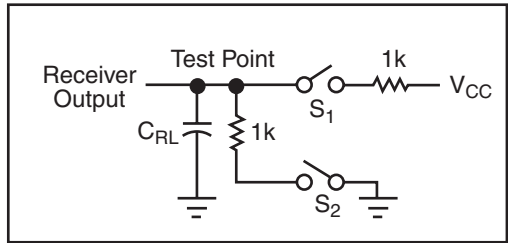


Figure 2. Receiver Timing Test Load Circuit

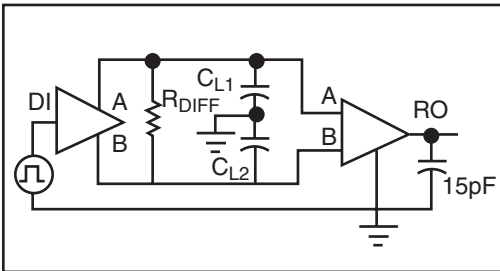


Figure 3. RS-485 Driver/Receiver Timing Test Circuit

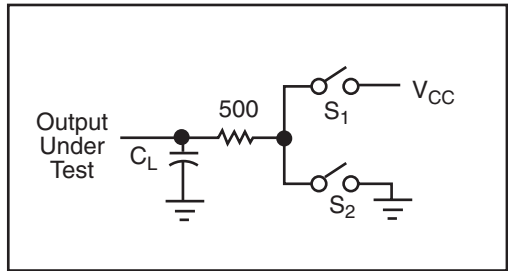


Figure 4. RS-485 Driver Timing Test Load #2 Circuit

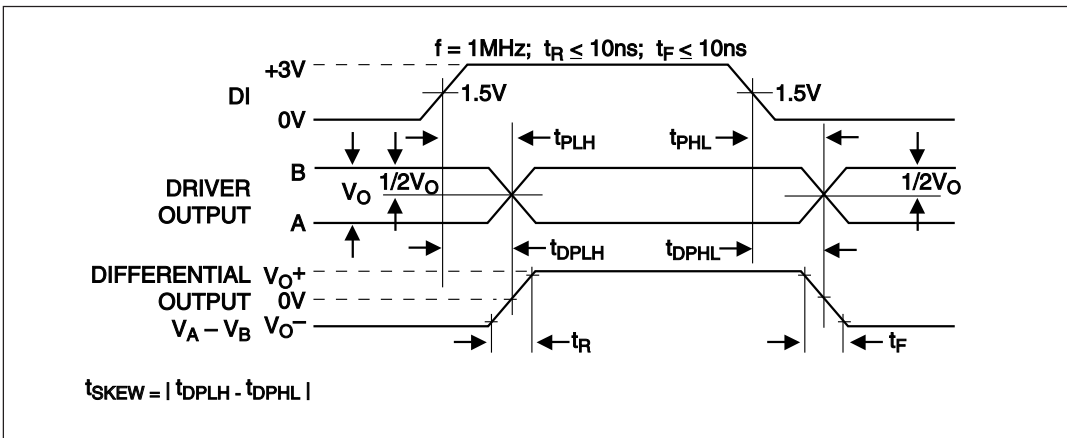


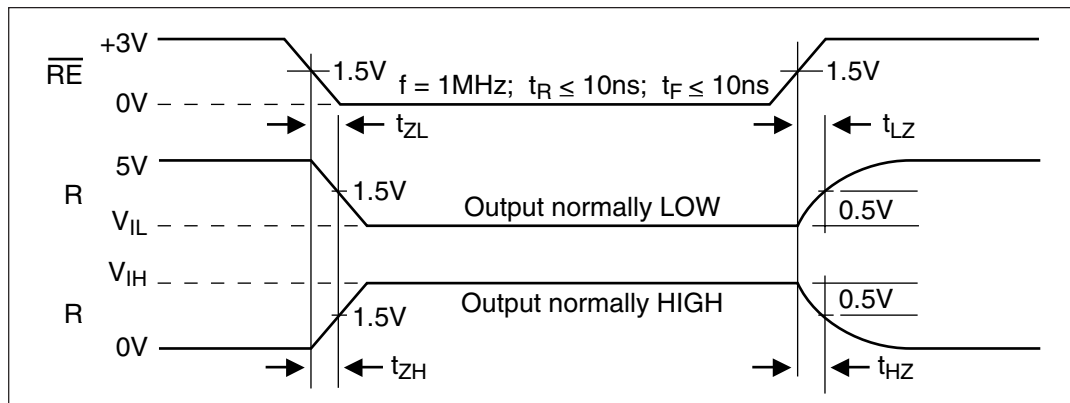
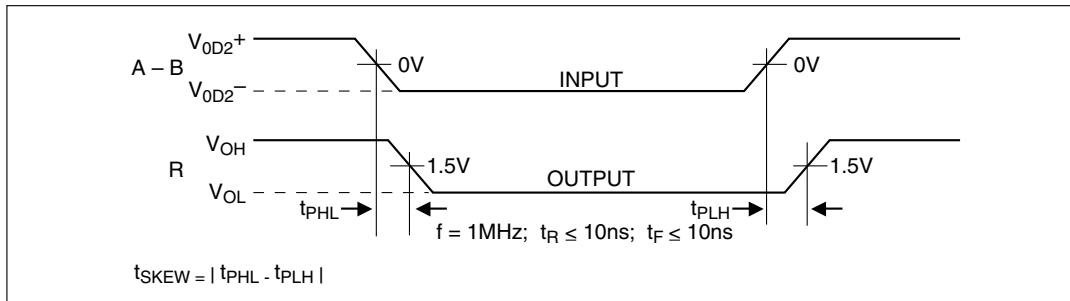
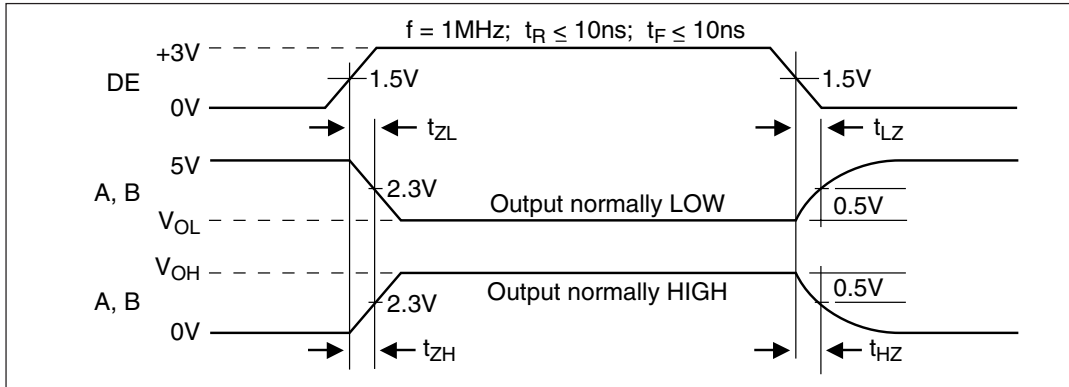
Figure 5. Driver Propagation Delays

| INPUTS                 |    |    | LINE<br>CONDITION | OUTPUTS |   |
|------------------------|----|----|-------------------|---------|---|
| $\overline{\text{RE}}$ | DE | DI |                   | B       | A |
| X                      | 1  | 1  | No Fault          | 0       | 1 |
| X                      | 1  | 0  | No Fault          | 1       | 0 |
| X                      | 0  | X  | X                 | Z       | Z |
| X                      | 1  | X  | Fault             | Z       | Z |

Table 1. Transmit Function Truth Table

| INPUTS                 |    | A - B       | OUTPUTS |
|------------------------|----|-------------|---------|
| $\overline{\text{RE}}$ | DE |             | R       |
| 0                      | 0  | +0.2V       | 1       |
| 0                      | 0  | -0.2V       | 0       |
| 0                      | 0  | Inputs Open | 1       |
| 1                      | 0  | X           | Z       |

Table 2. Receive Function Truth Table



## DESCRIPTION

The **SP481E** and **SP485E** are half-duplex differential transceivers that meet the requirements of RS-485 and RS-422. Fabricated with a Sipex proprietary BiCMOS process, all three products require a fraction of the power of older bipolar designs.

The RS-485 standard is ideal for multi-drop applications and for long-distance interfaces. RS-485 allows up to 32 drivers and 32 receivers to be connected to a data bus, making it an ideal choice for multi-drop applications. Since the cabling can be as long as 4,000 feet, RS-485 transceivers are equipped with a wide (-7V to +12V) common mode range to accommodate ground potential differences. Because RS-485 is a differential interface, data is virtually immune to noise in the transmission line.

### Drivers

The driver outputs of the **SP481E** and **SP485E** are differential outputs meeting the RS-485 and RS-422 standards. The typical voltage output swing with no load will be 0 Volts to +5 Volts. With worst case loading of 54 $\Omega$  across the differential outputs, the drivers can maintain greater than 1.5V voltage levels. The drivers of the **SP481E**, and **SP485E** have an enable control line which is active HIGH. A logic HIGH on DE (pin 3) will enable the differential driver outputs. A logic LOW on DE (pin 3) will tri-state the driver outputs.

The transmitters of the **SP481E** and **SP485E** will operate up to at least 10Mbps.

### Receivers

The **SP481E** and **SP485E** receivers have differential inputs with an input sensitivity as low as  $\pm 200\text{mV}$ . Input impedance of the receivers is typically 15k $\Omega$  (12k $\Omega$  minimum). A wide common mode range of -7V to +12V allows for large ground potential differences between systems. The receivers of the **SP481E** and **SP485E** have a tri-state enable control pin. A logic LOW on  $\overline{\text{RE}}$  (pin 2) will enable the receiver, a logic HIGH on  $\overline{\text{RE}}$  (pin 2) will disable the receiver.

The receiver for the **SP481E** and **SP485E** will operate up to at least 10Mbps. The receiver for each of the two devices is equipped with the fail-safe feature. Fail-safe guarantees that the receiver output will be in a HIGH state when the input is left unconnected.

### Shutdown Mode SP481E

The **SP481E** is equipped with a Shutdown mode. To enable the Shutdown state, both the driver and receiver must be disabled simultaneously. A logic LOW on DE (pin 3) and a logic HIGH on  $\overline{\text{RE}}$  (pin 2) will put the **SP481E** into Shutdown mode. In Shutdown, supply current will drop to typically 1 $\mu\text{A}$ .

### ESD TOLERANCE

The **SP481E** Family incorporates ruggedized ESD cells on all driver output and receiver input pins. The ESD structure is improved over our previous family for more rugged applications and environments sensitive to electro-static discharges and associated transients. The improved ESD tolerance is at least  $\pm 15\text{kV}$  without damage nor latch-up.

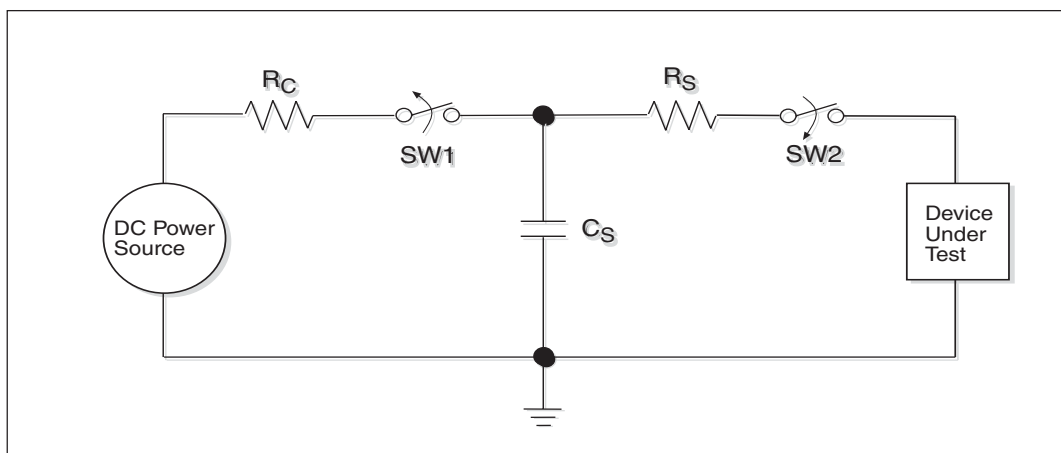
There are different methods of ESD testing applied:

- a) MIL-STD-883, Method 3015.7
- b) IEC1000-4-2 Air-Discharge
- c) IEC1000-4-2 Direct Contact

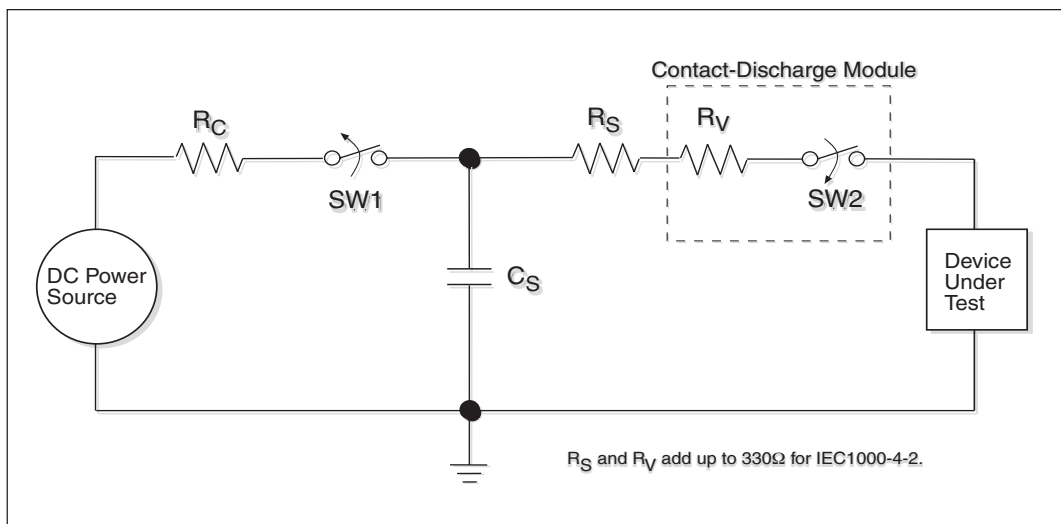
The Human Body Model has been the generally accepted ESD testing method for semiconductors. This method is also specified in MIL-STD-883, Method 3015.7 for ESD testing. The premise of this ESD test is to simulate the human body's potential to store electro-static energy and discharge it to an integrated circuit. The simulation is performed by using a test model as shown in *Figure 7*. This method will test the IC's capability to withstand an ESD transient during normal handling such as in manufacturing areas where the ICs tend to be handled frequently.

The IEC-1000-4-2, formerly IEC801-2, is generally used for testing ESD on equipment and

systems. For system manufacturers, they must guarantee a certain amount of ESD protection since the system itself is exposed to the outside environment and human presence. The premise with IEC1000-4-2 is that the system is required to withstand an amount of static electricity when ESD is applied to points and surfaces of the equipment that are accessible to personnel during normal usage. The transceiver IC receives most of the ESD current when the ESD source is applied to the connector pins. The test circuit for IEC1000-4-2 is shown on *Figure 8*. There are two methods within IEC1000-4-2, the Air Discharge method and the Contact Discharge method.



*Figure 7. ESD Test Circuit for Human Body Model*



*Figure 8. ESD Test Circuit for IEC1000-4-2*

With the Air Discharge Method, an ESD voltage is applied to the equipment under test (EUT) through air. This simulates an electrically charged person ready to connect a cable onto the rear of the system only to find an unpleasant zap just before the person touches the back panel. The high energy potential on the person discharges through an arcing path to the rear panel of the system before he or she even touches the system. This energy, whether discharged directly or through air, is predominantly a function of the discharge current rather than the discharge voltage. Variables with an air discharge such as approach speed of the object carrying the ESD potential to the system and humidity will tend to change the discharge current. For example, the rise time of the discharge current varies with the approach speed.

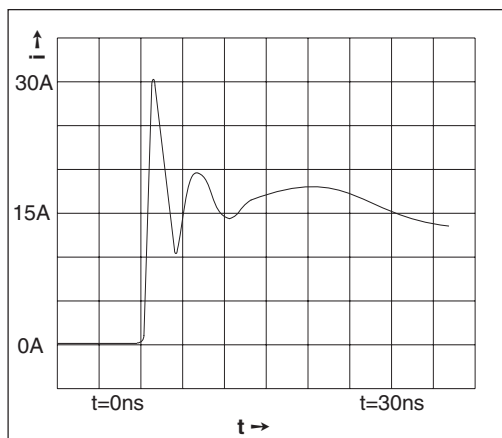


Figure 9. ESD Test Waveform for IEC1000-4-2

The Contact Discharge Method applies the ESD current directly to the EUT. This method was devised to reduce the unpredictability of the ESD arc. The discharge current rise time is constant since the energy is directly transferred without the air-gap arc. In situations such as hand held systems, the ESD charge can be directly discharged to the equipment from a person already holding the equipment. The current is transferred on to the keypad or the serial port of the equipment directly and then travels through the PCB and finally to the IC.

voltage stored in the capacitor is then applied through  $R_s$ , the current limiting resistor, onto the device under test (DUT). In ESD tests, the SW2 switch is pulsed so that the device under test receives a duration of voltage.

The circuit model in Figures 7 and 8 represent the typical ESD testing circuit used for all three methods. The  $C_s$  is initially charged with the DC power supply when the first switch (SW1) is on. Now that the capacitor is charged, the second switch (SW2) is on while SW1 switches off. The

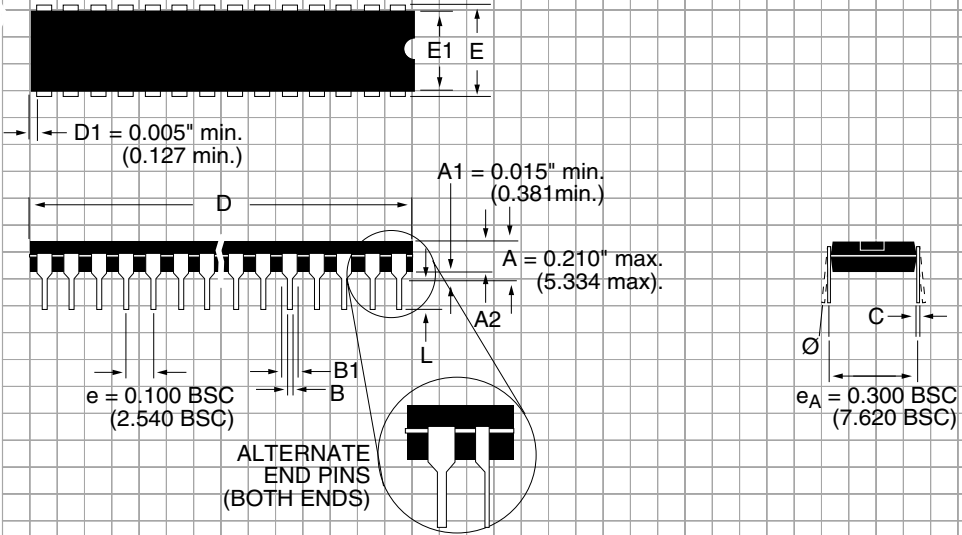
For the Human Body Model, the current limiting resistor ( $R_s$ ) and the source capacitor ( $C_s$ ) are  $1.5k\Omega$  and  $100pF$ , respectively. For IEC-1000-4-2, the current limiting resistor ( $R_s$ ) and the source capacitor ( $C_s$ ) are  $330\Omega$  and  $150pF$ , respectively.

The higher  $C_s$  value and lower  $R_s$  value in the IEC1000-4-2 model are more stringent than the Human Body Model. The larger storage capacitor injects a higher voltage to the test point when SW2 is switched on. The lower current limiting resistor increases the current charge onto the test point.

| SP481E, SP485E FAMILY | HUMAN BODY MODEL | IEC1000-4-2   |                |       |
|-----------------------|------------------|---------------|----------------|-------|
|                       |                  | Air Discharge | Direct Contact | Level |
| Driver Outputs        | $\pm 15kV$       | $\pm 15kV$    | $\pm 8kV$      | 4     |
| Receiver Inputs       | $\pm 15kV$       | $\pm 15kV$    | $\pm 8kV$      | 4     |

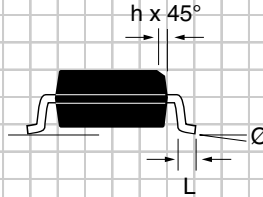
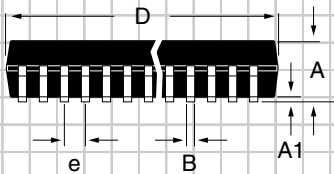
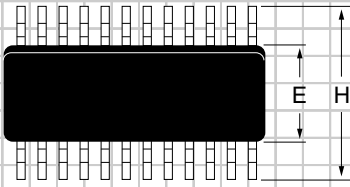


**PACKAGE: PLASTIC  
DUAL-IN-LINE  
(NARROW)**



| DIMENSIONS (Inches)<br>Minimum/Maximum<br>(mm) | 8-PIN  |
|--|--|
| A2   | 0.115/0.195<br>(2.921/4.953)                     |
| B  | 0.014/0.022<br>(0.356/0.559)                     |
| B1   | 0.045/0.070<br>(1.143/1.778)                     |
| C  | 0.008/0.014<br>(0.203/0.356)                     |
| D  | 0.355/0.400<br>(9.017/10.160)                    |
| E  | 0.300/0.325<br>(7.620/8.255)                     |
| E1   | 0.240/0.280<br>(6.096/7.112)                     |
| L  | 0.115/0.150<br>(2.921/3.810)                     |
| Ø  | $0^\circ$ / $15^\circ$<br>( $0^\circ/15^\circ$ ) |

**PACKAGE: PLASTIC  
SMALL OUTLINE (SOIC)  
(NARROW)**



| DIMENSIONS (Inches)<br>Minimum/Maximum<br>(mm) | 8-PIN                        |
|--|------------------------------|
| A  | 0.053/0.069<br>(1.346/1.748) |
| A1   | 0.004/0.010<br>(0.102/0.249) |
| B  | 0.014/0.019<br>(0.35/0.49)   |
| D  | 0.189/0.197<br>(4.80/5.00)   |
| E  | 0.150/0.157<br>(3.802/3.988) |
| e  | 0.050 BSC<br>(1.270 BSC)     |
| H  | 0.228/0.244<br>(5.801/6.198) |
| h  | 0.010/0.020<br>(0.254/0.498) |
| L  | 0.016/0.050<br>(0.406/1.270) |
| Ø  | 0°/8°<br>(0°/8°)             |

## ORDERING INFORMATION

| Model          | Temperature Range     | Package           |
|----------------|-----------------------|-------------------|
| SP481ECN ..... | 0°C to +70°C .....    | 8-pin Narrow SOIC |
| SP481ECP ..... | 0°C to +70°C .....    | 8-pin Plastic DIP |
| SP481EEN ..... | -40°C to +85°C .....  | 8-pin Narrow SOIC |
| SP481EEP ..... | -40°C to +85°C .....  | 8-pin Plastic DIP |
| <br>           |                       |                   |
| SP485ECN ..... | 0°C to +70°C .....    | 8-pin Narrow SOIC |
| SP485ECP ..... | 0°C to +70°C .....    | 8-pin Plastic DIP |
| SP485EEN ..... | -40°C to +85°C .....  | 8-pin Narrow SOIC |
| SP485EEP ..... | -40°C to +85°C .....  | 8-pin Plastic DIP |
| SP485EMN ..... | -40°C to +125°C ..... | 8-pin Narrow SOIC |

Please consult the factory for pricing and availability on a Tape-On-Reel option.



SIGNAL PROCESSING EXCELLENCE

### Sipex Corporation

#### Headquarters and Sales Office

233 South Hillview Drive  
Milpitas, CA 95035  
TEL: (408) 934-7500  
FAX: (408) 935-7600

#### Sales Office

22 Linnell Circle  
Billerica, MA 01821  
TEL: (978) 667-8700  
FAX: (978) 670-9001  
e-mail: sales@sipex.com

Sipex Corporation reserves the right to make changes to any products described herein. Sipex does not assume any liability arising out of the application or use of any product or circuit described herein; neither does it convey any license under its patent rights nor the rights of others.