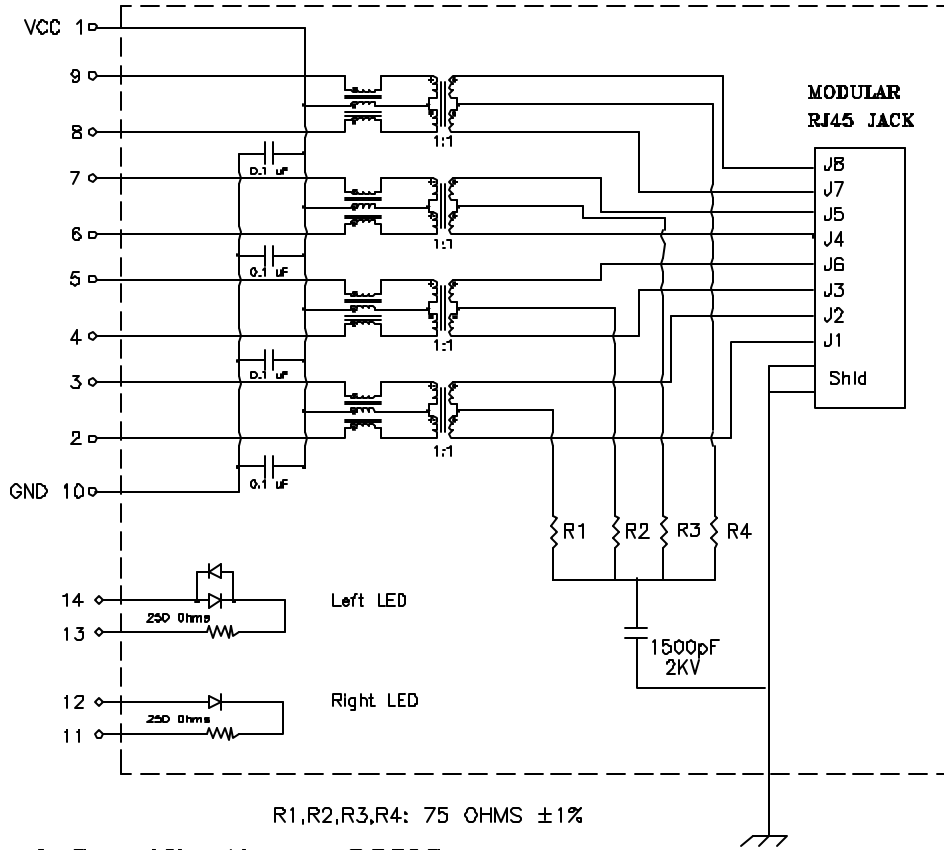


Schematic:



Electrical Specifications: @25°C

- Isolation Voltage: 1500 Vrms @60Hz 1MIN
- Common Mode Rejection: @1-50MHz -30dB Typ
@50-130MHz -20dB Typ
- Crosstalk: @1-10MHz -40dB Min
@30-60MHz -35dB Min
@60-100MHz -30dB Min
- Insertion Loss (1-100MHz): -1.0dB Max
- Return Loss: @1-10MHz -20dB Typ
@30MHz -16dB Typ
@60-80MHz -12dB Typ
@60-80MHz -12dB Typ
- Q: 18 Min @100KHz 0.1V

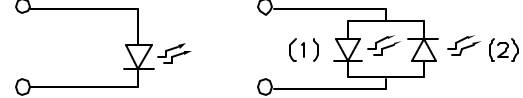
Notes:

1. Solderability: Leads shall meet MIL-STD-202G, Method 208H for solderability.
2. Flammability: UL94V-D
3. ASTM oxygen index: > 28%
4. UL Recognized Component: File Number E200238
5. Operating Temperature Range: All listed parameters are to be within tolerance from -40°C to +85°C
6. Storage Temperature Range: -55°C to +125°C
7. Aqueous wash compatible
8. Electrical and mechanical specifications 100% tested
9. RoHS Compliant Component
10. C=Green/Yellow with 250 Ohms internal resistor;
Y=Yellow with 250 Ohms internal resistor.

DOC REV: A/1

Complete the Combo P/N as follows:

Replace 'x' & 'u' in the part number with one of the LED color letters:
 Y=Yellow 'x' = Left LED Color
 G=Green 'u' = Right LED Color
 A=Amber
 R=Red
 C=Green(1)/Amber(2) Bicolor
 D=Amber(1)/Green(2) Bicolor
 M=Green(1)/Yellow(2) Bicolor
 N=Yellow(1)/Green(2) Bicolor
 P=Red(1)/Green(2) Bicolor
 Q=Green(1)/Red(2) Bicolor
 E=Red(1)/Yellow(2) Bicolor
 F=Yellow(1)/Red(2) Bicolor
 H=Amber(1)/Yellow(2) Bicolor
 Single Color LED: Bi-Color LED:

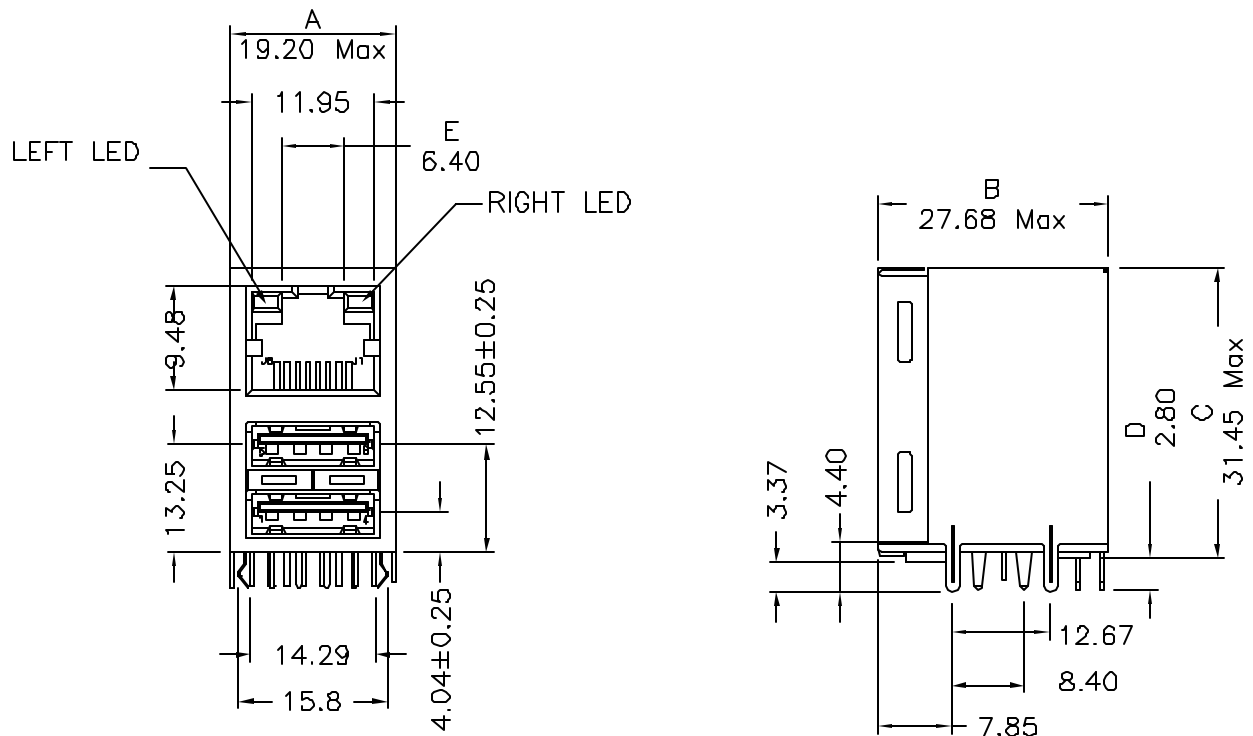


XFMRs Inc. www.XFMRs.com	Title: RJ45/DUAL USB GIGABIT COMBO		
	UNLESS OTHERWISE SPECIFIED	P/N: XFGIG8P-USBZxu-2	REV. A
TOLERANCES: .xxx ±0.010	DWN.	Mei Chen	Jun-23-10
Dimensions in Inch	CHK.	YK Liao	Jun-23-10
SHEET 1 OF 3	APP.	Joe Huff	Jun-23-10

PROPRIETARY:

Document is the property of XFMRs Group & is not allowed to be duplicated without authorization.

Mechanical Dimensions:



TOP VIEW

DOC REV: A/1

XFMRS Inc.
www.XFMRS.com

UNLESS OTHERWISE SPECIFIED
TOLERANCES:
.x ±0.25
Dimensions in MM

Title:
RJ45/DUAL USB GIGABIT COMBO

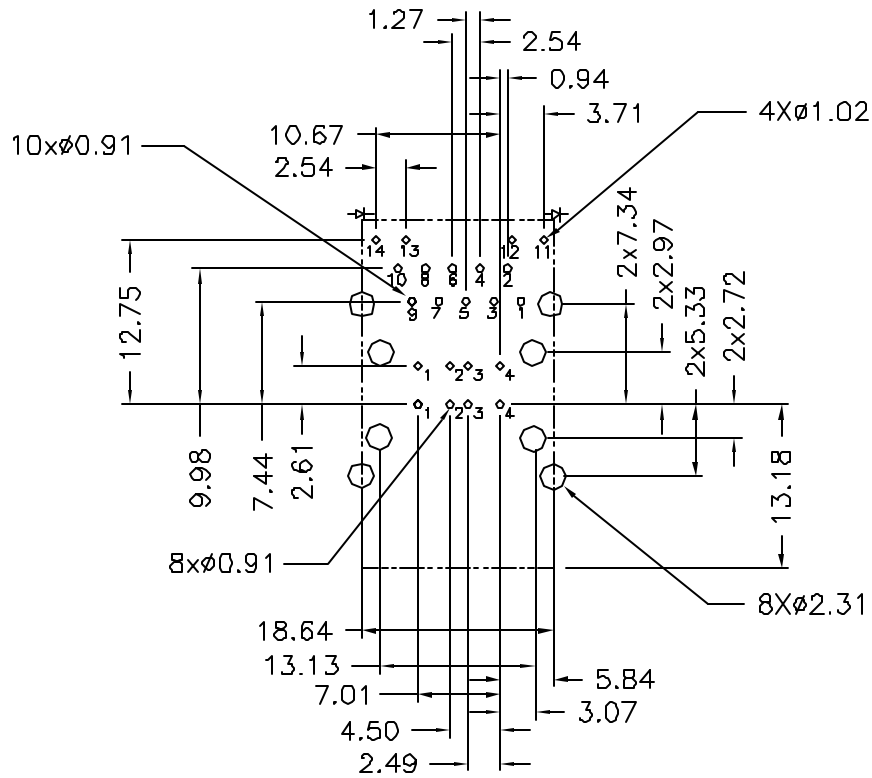
P/N: XFGIG8P-USBZxu-2	REV. A	
DWN.	Mei Chen	Jun-23-10
CHK.	YK Liao	Jun-23-10
APP.	Joe Huff	Jun-23-10

SHEET 2 OF 3

PROPRIETARY:

Document is the property of XFMRS Group & is not allowed to be duplicated without authorization.

3. Mechanical Dimensions (cont.):



SUGGESTED PC BOARD LAYOUT VIEW
FROM COMPONENT SIDE

DOC. REV. A/1

PROPRIETARY:

Document is the property of XFMRS Group & is not allowed to be duplicated without authorization.

XFMRS Inc.
www.XFMRS.com

UNLESS OTHERWISE SPECIFIED
TOLERANCES:
.xx ±0.25
Dimensions in MM

SHEET 3 OF 3

Title: Mechanical Dimensions
For STACKED USB COMBO

P/N: XFGIG8P-USBZxu-2

REV. A

DWN.

Mei Chen

Jun-23-10

CHK.

YK Liao

Jun-23-10

APP.

Joe Huff

Jun-23-10