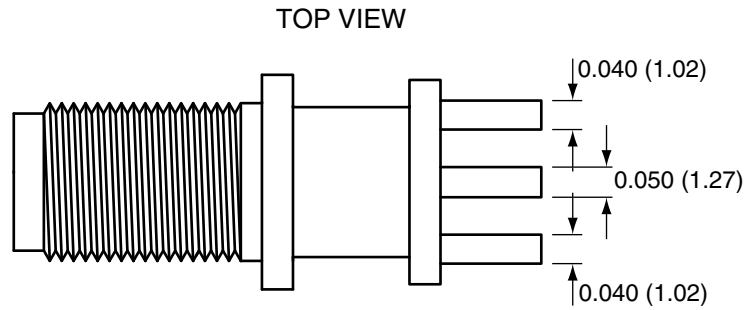
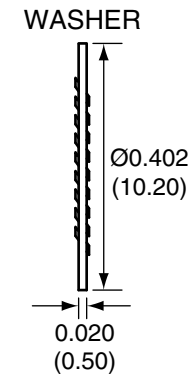
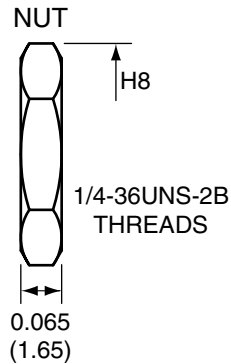
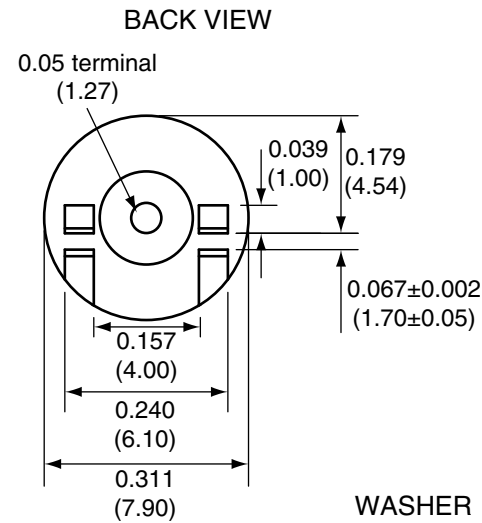
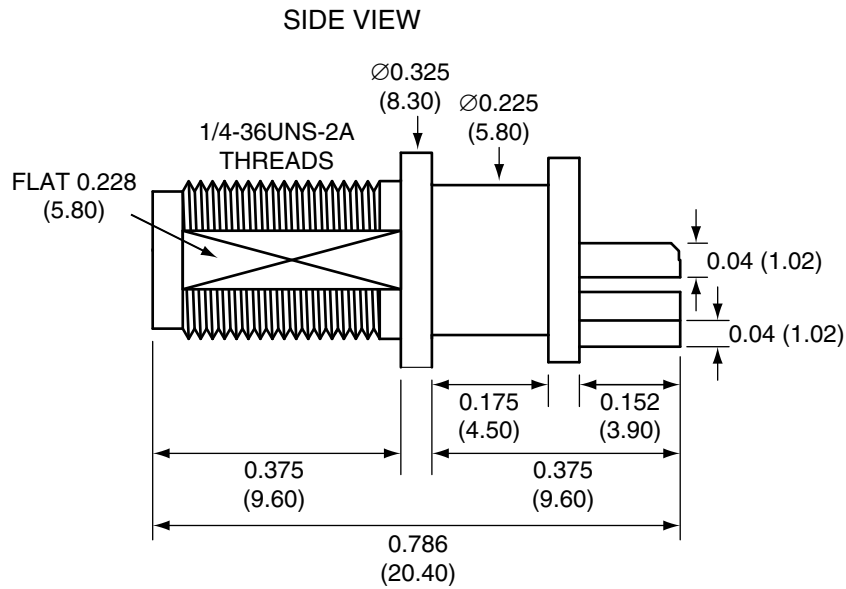
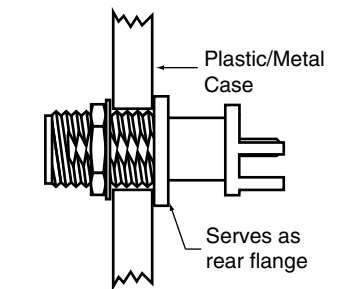
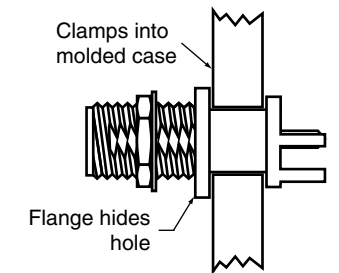
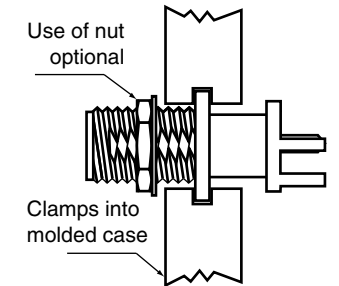


1		
Description	Material	Finish
Body	Brass	Nickel
Socket	BE CU	Gold
Insulation	Teflon	Teflon
Washer	Brass	Nickel
Nut	Brass	Nickel



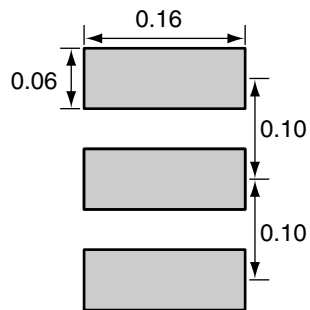
4

MOUNTING METHODS

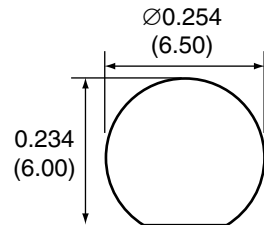


A

RECOMMENDED FOOTPRINT



RECOMMENDED MOUNTING HOLE



Title SMA FEMALE EDGE MULTI-MOUNT FOR 0.062" THICK BOARD

Part No. CONSMA006.062

Revision: 1.0

Dimensions: INCHES (mm)

Date: 5/29/2007

CONNECTOR CITY
159 ORT LANE
MERLIN, OR 97532
PH (541)-471-6256
FAX (541)-471-6251

Sheet 1 of 1

CONNECTOR CITY
THE VALUE OF CONNECTIONS