

Silicon NPN Power Transistors

MJF18006

DESCRIPTION

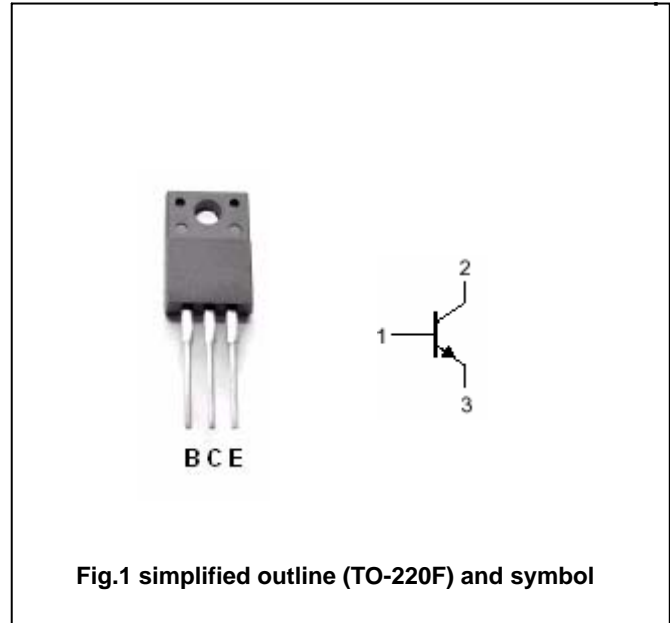
- With TO-220F package
- High voltage ,high speed

APPLICATIONS

- Designed for use in 220V line-operated switchmode power supplies and electronic light ballasts

PINNING

PIN	DESCRIPTION
1	Base
2	Collector
3	Emitter

Absolute maximum ratings($T_c=25$)

SYMBOL	PARAMETER	CONDITIONS	VALUE	UNIT
V_{CBO}	Collector-base voltage	Open emitter	1000	V
V_{CEO}	Collector-emitter voltage	Open base	450	V
V_{EBO}	Emitter-base voltage	Open collector	9	V
I_C	Collector current (DC)		6	A
I_{CM}	Collector current-Peak		15	A
I_B	Base current		4	A
I_{BM}	Base current-Peak		8	A
P_D	Total power dissipation	$T_c=25$	40	W
T_j	Junction temperature		150	
T_{stg}	Storage temperature		-65~150	

THERMAL CHARACTERISTICS

SYMBOL	PARAMETER	MAX	UNIT
$R_{th j-C}$	Thermal resistance junction to case	3.12	/W
$R_{th j-A}$	Thermal resistance junction to ambient	62.5	/W

Silicon NPN Power Transistors

MJF18006

CHARACTERISTICS

Tj=25 unless otherwise specified

SYMBOL	PARAMETER	CONDITIONS	MIN	TYP.	MAX	UNIT
V _{CEO(SUS)}	Collector-emitter sustaining voltage	I _C =0.1A; L=25mH	450			V
V _{CEsat-1}	Collector-emitter saturation voltage	I _C =1.5A ; I _B =0.15A T _C =125			0.6 0.65	V
V _{CEsat-2}	Collector-emitter saturation voltage	I _C =3A ; I _B =0.6A T _C =125			0.7 0.8	V
V _{BEsat-1}	Base-emitter saturation voltage	I _C =1.5A; I _B =0.15A			1.2	V
V _{BEsat-2}	Base-emitter saturation voltage	I _C =3A; I _B =0.6A			1.3	V
I _{CES}	Collector cut-off current	V _{CE} =RatedV _{CE} ; V _{EB} =0	T _C =125			0.1
						0.5
		V _{CE} =800V				0.1
I _{CEO}	Collector cut-off current	V _{CE} =RatedV _{CE} ; I _B =0			0.1	mA
I _{EBO}	Emitter cut-off current	V _{EB} =9V; I _C =0			0.1	mA
h _{FE-1}	DC current gain	I _C =0.5A ; V _{CE} =5V	14		34	
h _{FE-2}	DC current gain	I _C =3A ; V _{CE} =1V	6			
h _{FE-3}	DC current gain	I _C =1.5A ; V _{CE} =1V	11			
h _{FE-4}	DC current gain	I _C =10mA ; V _{CE} =5V	10			
f _T	Transition frequency	I _C =0.5A ; V _{CE} =10V;f=1.0MHz		14		MHz
C _{OB}	Collector outoput capacitance	I _E =0 ; V _{CB} =10V;f=1.0MHz		75		pF

Switching times resistive load,Duty Cycle 10%,Pulse Width=20 μ s

t _{on}	Turn-on time	V _{CC} =300V ,I _C =3A I _{B1} =0.6A; I _{B2} =1.5A		90	180	ns
t _{off}	Turn-off time			1.7	2.5	μ s
t _{on}	Turn-on time	V _{CC} =300V ,I _C =1.3A I _{B1} =0.13A; I _{B2} =0.65A		0.2	0.3	μ s
t _{off}	Turn-off time			1.2	2.5	μ s

Silicon NPN Power Transistors

MJF18006

PACKAGE OUTLINE

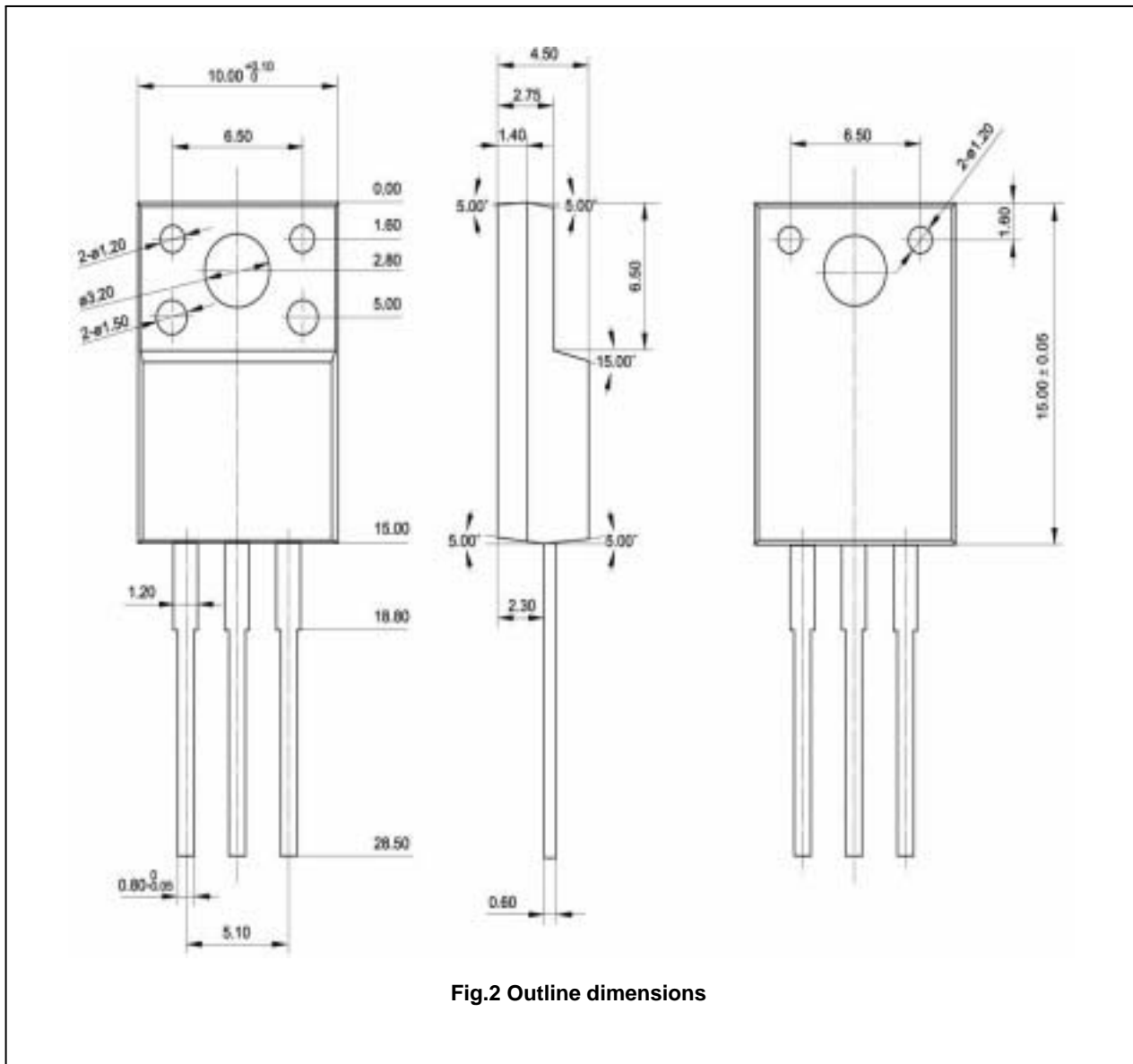


Fig.2 Outline dimensions