

\* R1131Dxx2 (HSON-6) is the discontinued product. As of June in 2016.

# RICOH

## R1131x SERIES

---

### Low Voltage 300mA LDO REGULATOR

---

NO.EA-116-130530

### OUTLINE

The R1131x Series are CMOS-based low voltage regulator ICs with output voltage range from 0.8V to 3.3V. The minimum operating voltage is 1.4V. Each of these voltage regulator ICs consists of a voltage reference unit, an error amplifier, resistors for setting output voltage, a current limit circuit, and a chip enable circuit.

To prevent the destruction by over current, current limit circuit is included. Standby mode realizes ultra small consumption current.

The output voltage of these ICs is internally fixed with high accuracy. Since the packages for these ICs are SOT-23-5, SON-6, and HSON-6, high density mounting of the ICs on boards is possible.

### FEATURES

- Supply Current ..... Typ. 80 $\mu$ A ( $V_{OUT} < 1.8V$ )  
Typ. 60 $\mu$ A ( $V_{OUT} \geq 1.8V$ )
- Standby Mode ..... Typ. 0.1 $\mu$ A
- Dropout Voltage ..... Typ. 0.48V ( $I_{OUT}=300mA$  Output Voltage=1.0V Type)  
Typ. 0.31V ( $I_{OUT}=300mA$  Output Voltage=1.5V Type)  
Typ. 0.23V ( $I_{OUT}=300mA$  Output Voltage=3.0V Type)
- Ripple Rejection ..... Typ. 65dB ( $f=1kHz$ )
- Temperature-Drift Coefficient of Output Voltage ..... Typ.  $\pm 100ppm/^{\circ}C$
- Line Regulation ..... Typ. 0.01%/V
- Output Voltage Accuracy .....  $\pm 2.0\%$
- Output Voltage Range ..... 0.8V to 3.3V (0.1V steps)  
(For other voltages, please refer to MARK INFORMATIONS.)
- Input Voltage Range ..... 1.4V to 6.0V
- Packages ..... SOT-23-5, SON-6, HSON-6
- Built-in fold-back protection circuit ..... Typ. 50mA (Current at short mode)
- External Capacitors .....  $C_{IN}=C_{OUT}=\text{Tantalum } 1.0\mu F$  ( $V_{OUT} < 1.0V$ )  
 $C_{IN}=C_{OUT}=\text{Ceramic } 1.0\mu F$  ( $V_{OUT} \geq 1.0V$ )

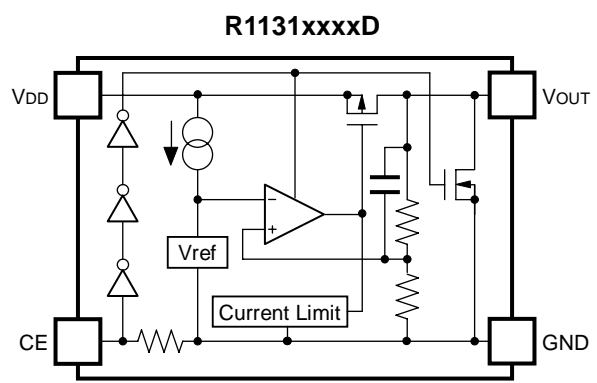
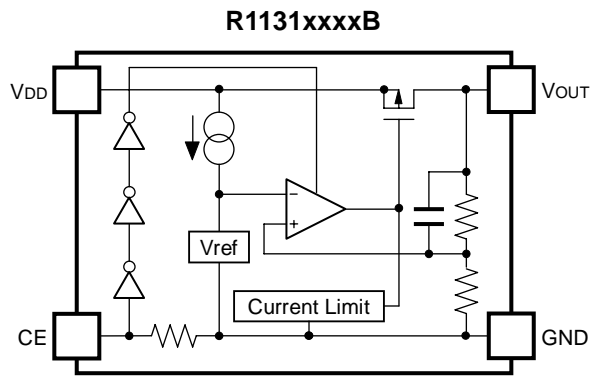
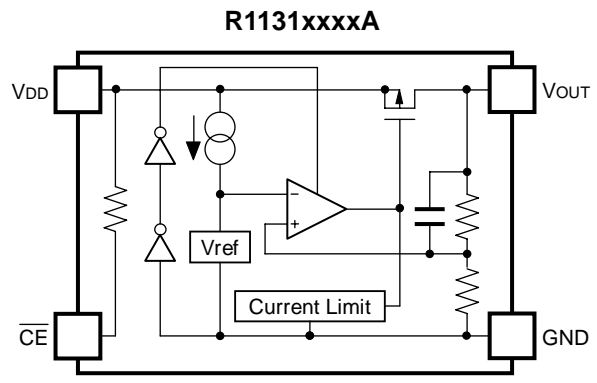
### APPLICATIONS

- Precision Voltage References.
- Power source for electrical appliances such as cameras, VCRs and hand-held communication equipment.
- Power source for battery-powered equipment.

\* R1131Dxx2 (HSON-6) is the discontinued product. As of June in 2016.

**R1131x**

**BLOCK DIAGRAM**



\* R1131Dxx2 (HSON-6) is the discontinued product. As of June in 2016.

R1131x

## SELECTION GUIDE

The output voltage, CE pin polarity, auto discharge function, package, etc. for the ICs can be selected at the user's request.

Product Name	Package	Quantity per Reel	Pb Free	Halogen Free
R1131Nxx1*-TR-FE	SOT-23-5	3,000 pcs	Yes	Yes
R1131Dxx1*-TR-FE	SON-6	3,000 pcs	Yes	Yes
R1131Dxx2*-TR-FE	HSON-6	3,000 pcs	Yes	Yes

xx: The output voltage can be designated in the range from 0.8V(08) to 3.3V(33) in 0.1V steps.  
(For other voltages, please refer to MARK INFORMATIONS.)

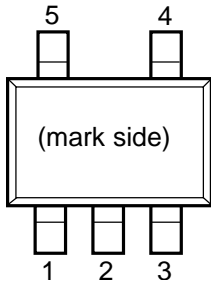
\* : CE pin polarity and auto discharge function at off state are options as follows.

- (A) "L" active, without auto discharge function at off state
- (B) "H" active, without auto discharge function at off state
- (D) "H" active, with auto discharge function at off state

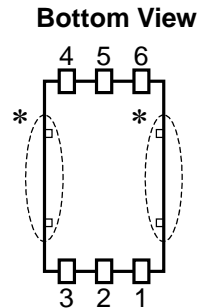
R1131x

**PIN CONFIGURATIONS**

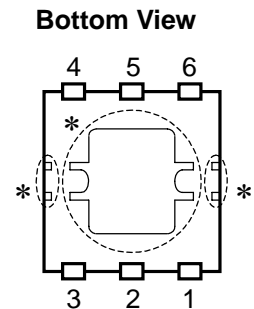
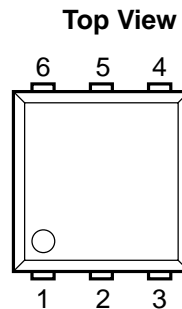
● SOT-23-5



● SON-6



● HSON-6



**PIN DESCRIPTIONS**

● SOT-23-5

Pin No	Symbol	Pin Description
1	V <sub>DD</sub>	Input Pin
2	GND	Ground Pin
3	$\overline{\text{CE}}$ or CE	Chip Enable Pin
4	NC	No Connection
5	V <sub>OUT</sub>	Output pin

● SON-6, HSON-6

Pin No	Symbol	Pin Description
1	V <sub>DD</sub>	Input Pin
2	NC	No Connection
3	V <sub>OUT</sub>	Output pin
4	NC	No Connection
5	GND	Ground Pin
6	$\overline{\text{CE}}$ or CE	Chip Enable Pin

\*) Tab and tab suspension leads are GND level. (They are connected to the reverse side of this IC.)  
 The tab is better to be connected to the GND, but leaving it open is also acceptable.  
 The tab suspension leads do not connect to other wires or land patterns.

## ABSOLUTE MAXIMUM RATINGS

Symbol	Item	Rating	Unit
$V_{IN}$	Input Voltage	6.5	V
$V_{CE}$	Input Voltage( $\overline{CE}$ /CE Pin)	-0.3 to 6.5	V
$V_{OUT}$	Output Voltage	-0.3 to $V_{IN}+0.3$	V
$I_{OUT}$	Output Current	350	mA
$P_D$	Power Dissipation (SOT-23-5)*	420	mW
	Power Dissipation (SON-6)*	500	
	Power Dissipation (HSON-6)*	900	
$T_{opt}$	Operating Temperature Range	-40 to 85	°C
$T_{stg}$	Storage Temperature Range	-55 to 125	°C

\*) For Power Dissipation please refer to PACKAGE INFORMATION.

### ABSOLUTE MAXIMUM RATINGS

Electronic and mechanical stress momentarily exceeded absolute maximum ratings may cause the permanent damages and may degrade the life time and safety for both device and system using the device in the field.

The functional operation at or over these absolute maximum ratings is not assured.

\* R1131Dxx2 (HSON-6) is the discontinued product. As of June in 2016.

## R1131x

### ELECTRICAL CHARACTERISTICS

• R1131xxxxA

T<sub>opt</sub>=25°C

Symbol	Item	Conditions	Min.	Typ.	Max.	Unit	
V <sub>OUT</sub>	Output Voltage	V <sub>IN</sub> =Set V <sub>OUT</sub> +1V 1μA ≤ I <sub>OUT</sub> ≤ 30mA	V <sub>OUT</sub> >1.5V	×0.98	×1.02	V	
			V <sub>OUT</sub> ≤ 1.5V	-30	+30	mV	
I <sub>OUT</sub>	Output Current	V <sub>IN</sub> -V <sub>OUT</sub> =1.0V	300			mA	
ΔV <sub>OUT</sub> / ΔI <sub>OUT</sub>	Load Regulation	V <sub>IN</sub> =Set V <sub>OUT</sub> +1V, 1mA ≤ I <sub>OUT</sub> ≤ 300mA		40	70	mV	
V <sub>DIF</sub>	Dropout Voltage	I <sub>OUT</sub> =300mA	V <sub>OUT</sub> =0.8V		620	850	mV
			V <sub>OUT</sub> =0.9V		550	780	
			1.0V ≤ V <sub>OUT</sub> < 1.5V		480	700	
			1.5V ≤ V <sub>OUT</sub> < 2.6V		310	450	
			2.6V ≤ V <sub>OUT</sub> ≤ 3.3V		230	350	
I <sub>SS1</sub>	Supply Current	V <sub>IN</sub> =Set V <sub>OUT</sub> +1V, V <sub>OUT</sub> < 1.8V		80	111	μA	
		V <sub>IN</sub> =Set V <sub>OUT</sub> +1V, V <sub>OUT</sub> ≥ 1.8V		60	90	μA	
I <sub>standby</sub>	Standby Current	V <sub>IN</sub> =V <sub>CE</sub> =Set V <sub>OUT</sub> +1V		0.1	1.0	μA	
ΔV <sub>OUT</sub> / ΔV <sub>IN</sub>	Line Regulation	I <sub>OUT</sub> =30mA V <sub>OUT</sub> +0.5V ≤ V <sub>IN</sub> ≤ 6.0V (V <sub>OUT</sub> > 0.9V) 1.4V ≤ V <sub>IN</sub> ≤ 6.0V (V <sub>OUT</sub> ≤ 0.9V)		0.01	0.15	%/V	
RR	Ripple Rejection	f=1kHz, Ripple 0.2Vp-p V <sub>IN</sub> =Set V <sub>OUT</sub> +1V, I <sub>OUT</sub> =30mA		65		dB	
V <sub>IN</sub>	Input Voltage		1.4		6.0	V	
ΔV <sub>OUT</sub> / ΔT <sub>opt</sub>	Output Voltage Temperature Coefficient	I <sub>OUT</sub> =30mA -40°C ≤ T <sub>opt</sub> ≤ 85°C		±100		ppm /°C	
I <sub>SC</sub>	Short Current Limit	V <sub>OUT</sub> =0V		50		mA	
R <sub>PU</sub>	$\overline{CE}$ Pull-up Resistance		1.87	5.0	12.0	MΩ	
V <sub>CEH</sub>	$\overline{CE}$ Input Voltage "H"		1.0		6.0	V	
V <sub>CEL</sub>	$\overline{CE}$ Input Voltage "L"		0		0.3	V	
en	Output Noise	BW=10Hz to 100kHz		30		μVrms	

#### RECOMMENDED OPERATING CONDITIONS (ELECTRICAL CHARACTERISTICS)

All of electronic equipment should be designed that the mounted semiconductor devices operate within the recommended operating conditions. The semiconductor devices cannot operate normally over the recommended operating conditions, even if when they are used over such conditions by momentary electronic noise or surge. And the semiconductor devices may receive serious damage when they continue to operate over the recommended operating conditions.

● R1131xxxxB/D

T<sub>opt</sub>=25°C

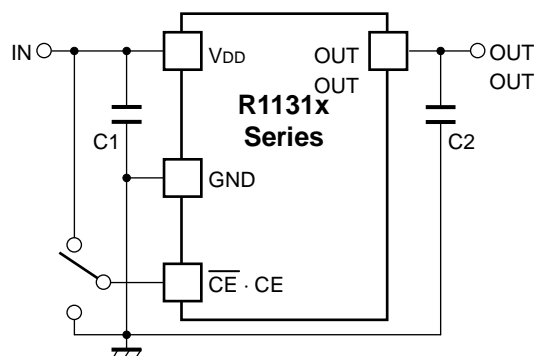
Symbol	Item	Conditions	Min.	Typ.	Max.	Unit	
V <sub>OUT</sub>	Output Voltage	V <sub>IN</sub> =Set V <sub>OUT</sub> +1V 1μA ≤ I <sub>OUT</sub> ≤ 30mA	V <sub>OUT</sub> > 1.5V	×0.98		×1.02	V
			V <sub>OUT</sub> ≤ 1.5V	-30		+30	mV
I <sub>OUT</sub>	Output Current	V <sub>IN</sub> -V <sub>OUT</sub> =1.0V	300			mA	
ΔV <sub>OUT</sub> / ΔI <sub>OUT</sub>	Load Regulation	V <sub>IN</sub> =Set V <sub>OUT</sub> +1V 1mA ≤ I <sub>OUT</sub> ≤ 300mA		40	70	mV	
V <sub>DIF</sub>	Dropout Voltage	I <sub>OUT</sub> =300mA	V <sub>OUT</sub> =0.8V		620	850	mV
			V <sub>OUT</sub> =0.9V		550	780	
			1.0V ≤ V <sub>OUT</sub> < 1.5V		480	700	
			1.5V ≤ V <sub>OUT</sub> < 2.6V		310	450	
			2.6V ≤ V <sub>OUT</sub> ≤ 3.3V		230	350	
I <sub>SS1</sub>	Supply Current	V <sub>IN</sub> =Set V <sub>OUT</sub> +1V, V <sub>OUT</sub> < 1.8V		80	111	μA	
		V <sub>IN</sub> =Set V <sub>OUT</sub> +1V, V <sub>OUT</sub> ≥ 1.8V		60	90	μA	
I <sub>standby</sub>	Standby Current	V <sub>IN</sub> =Set V <sub>OUT</sub> +1V, V <sub>CE</sub> =GND		0.1	1.0	μA	
ΔV <sub>OUT</sub> / ΔV <sub>IN</sub>	Line Regulation	I <sub>OUT</sub> =30mA V <sub>OUT</sub> +0.5V ≤ V <sub>IN</sub> ≤ 6.0V (V <sub>OUT</sub> > 0.9V) 1.4V ≤ V <sub>IN</sub> ≤ 6.0V (V <sub>OUT</sub> ≤ 0.9V)		0.01	0.15	%/V	
RR	Ripple Rejection	f=1kHz, Ripple 0.2Vp-p V <sub>IN</sub> =Set V <sub>OUT</sub> +1V, I <sub>OUT</sub> =30mA		65		dB	
V <sub>IN</sub>	Input Voltage		1.4		6.0	V	
ΔV <sub>OUT</sub> / ΔT <sub>opt</sub>	Output Voltage Temperature Coefficient	I <sub>OUT</sub> =30mA -40°C ≤ T <sub>opt</sub> ≤ 85°C		±100		ppm /°C	
I <sub>SC</sub>	Short Current Limit	V <sub>OUT</sub> =0V		50		mA	
R <sub>PD</sub>	CE Pull-down Resistance		1.87	5.0	12.0	MΩ	
V <sub>CEH</sub>	CE Input Voltage "H"		1.0		6.0	V	
V <sub>CEL</sub>	CE Input Voltage "L"		0		0.3	V	
e <sub>n</sub>	Output Noise	BW=10Hz to 100kHz		30		μVrms	
R <sub>LOW</sub>	Nch On Resistance for auto discharge (D version only)	V <sub>CE</sub> =0V		60		Ω	

**RECOMMENDED OPERATING CONDITIONS (ELECTRICAL CHARACTERISTICS)**

All of electronic equipment should be designed that the mounted semiconductor devices operate within the recommended operating conditions. The semiconductor devices cannot operate normally over the recommended operating conditions, even if when they are used over such conditions by momentary electronic noise or surge. And the semiconductor devices may receive serious damage when they continue to operate over the recommended operating conditions.

## R1131x

### TYPICAL APPLICATION



<External Components examples>

- C2 1.0 $\mu$ F CM05X5R105K06AB (Kyocera)
- C2 1.0 $\mu$ F C1005JBOJ105K (TDK)
- C2 1.0 $\mu$ F GRM155B30J105KE18B (Murata)

Output Capacitor; 1.0 $\mu$ F or more capacity ceramic Type  
(If  $V_{OUT} < 1.0V$ , Tantalum Type is recommended)  
Input Capacitor, 1.0 $\mu$ F or more capacity ceramic Type

### TECHNICAL NOTES

When using these ICs, consider the following points:

#### Phase Compensation

In these ICs, phase compensation is made for securing stable operation even if the load current is varied. For this purpose, be sure to use a 1.0 $\mu$ F or more capacitor  $C_{OUT}$  with good frequency characteristics and ESR (Equivalent Series Resistance).

(Note: If a tantalum capacitor is connected to the Output pin for phase compensation, if the ESR value of the capacitor is too large, the operation might be unstable. Because of this, test these ICs with as same external components as ones to be used on the PCB.)

Chip capacitor characteristics of Bias dependence and Temperature characteristics may vary depending on its size, manufacturer, and part number.

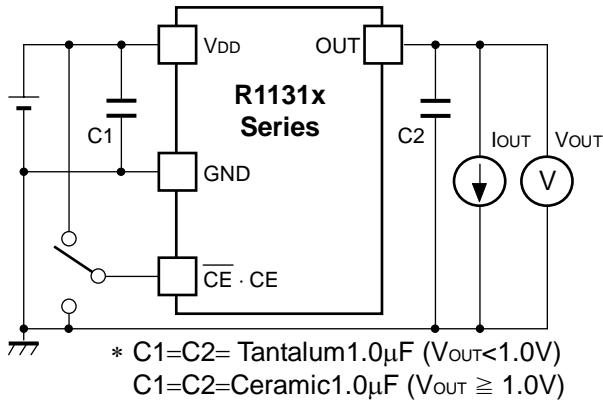
#### PCB Layout

Make  $V_{DD}$  and GND lines sufficient. If their impedance is high, pick-up the noise or unstable operation may result. Connect a capacitor with as much as 1.0 $\mu$ F capacitor between  $V_{DD}$  and GND pin as close as possible.

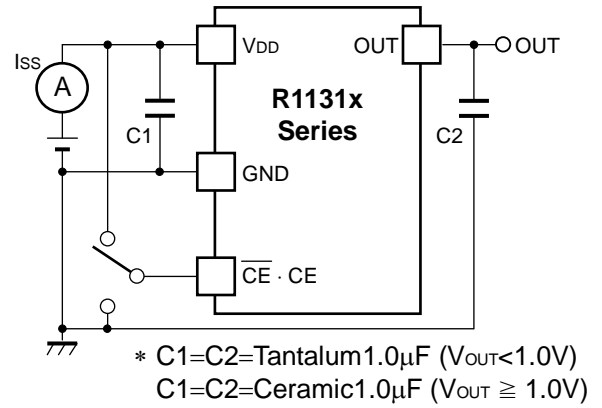
Set external components, especially the output capacitor, as close as possible to the ICs, and make wiring as short as possible.



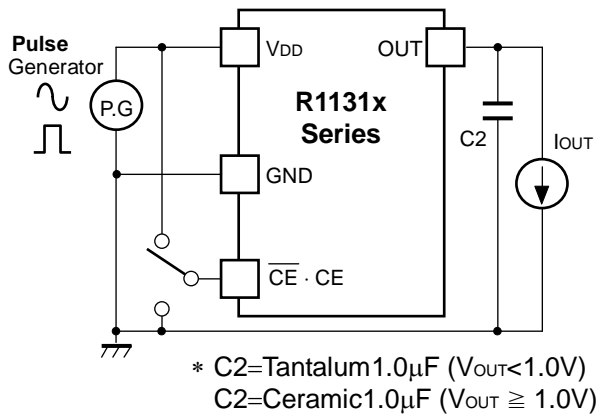
## TEST CIRCUIT



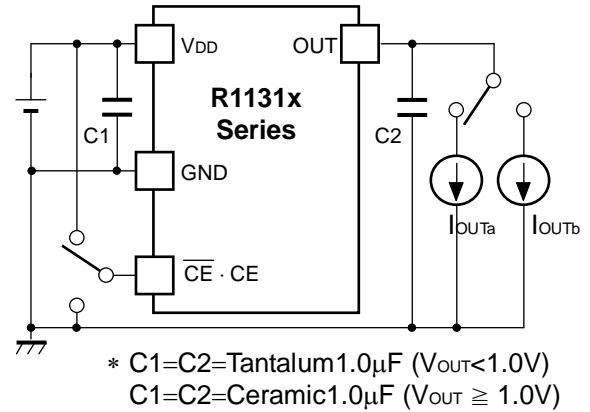
Standard Test Circuit



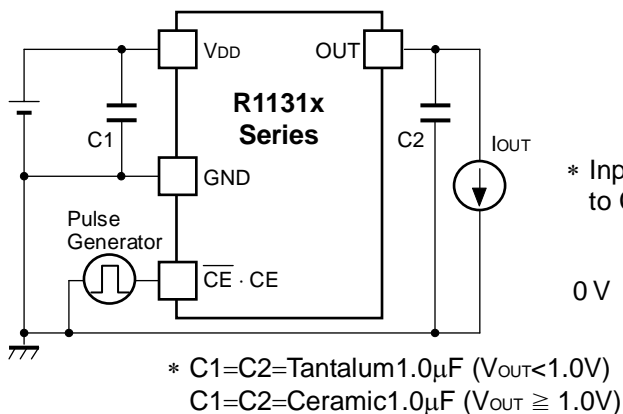
Supply Current Test Circuit



Ripple Rejection, Line Transient Response Test Circuit

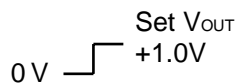


Load Transient Response Test Circuit



Turn on Speed with CE pin Test Circuit

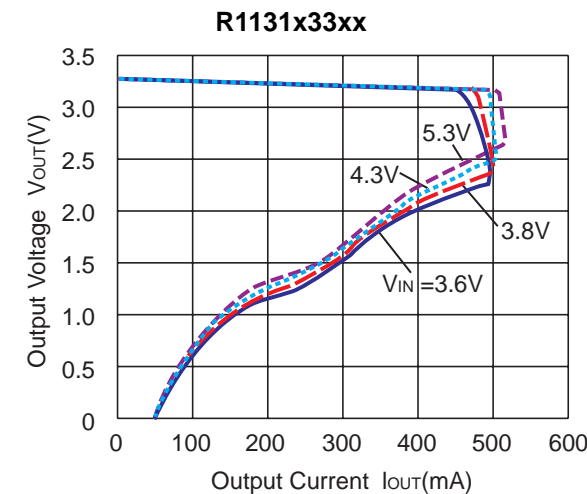
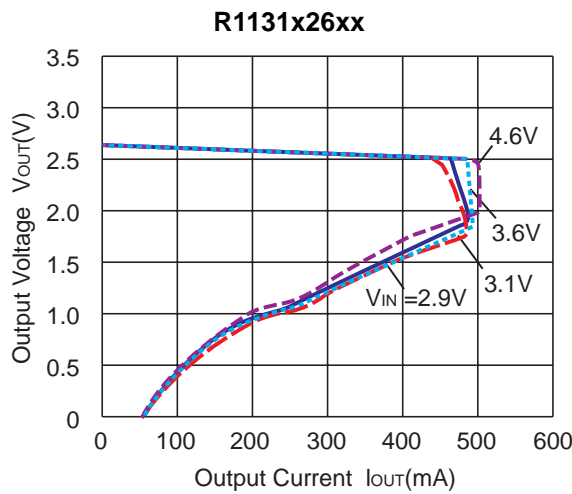
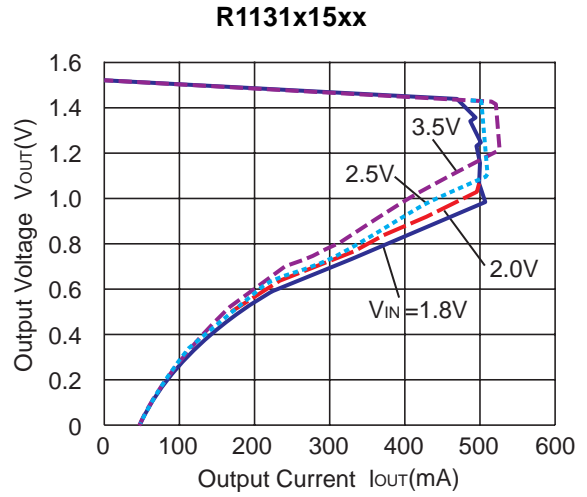
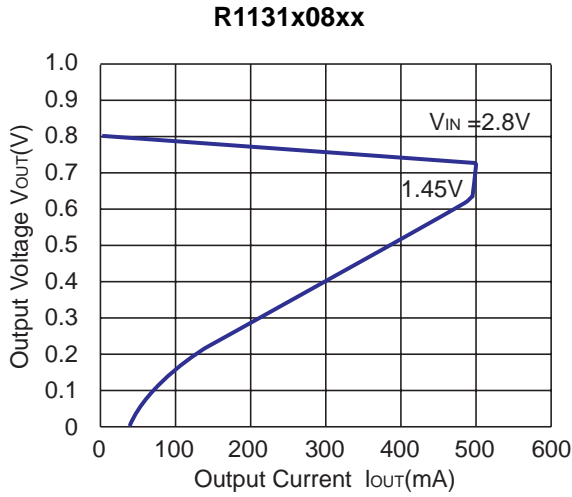
\* Input signal waveform to CE pin is shown below.



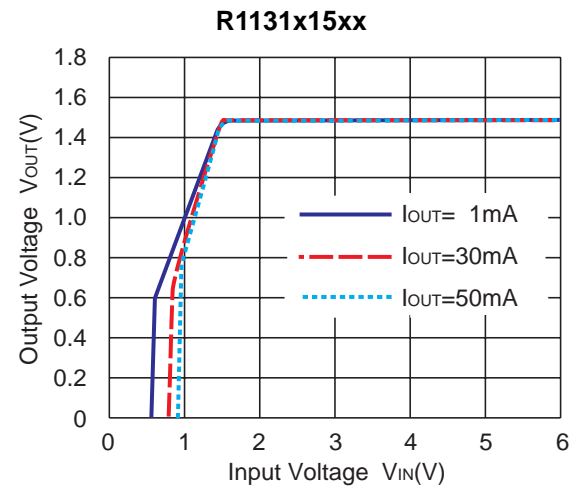
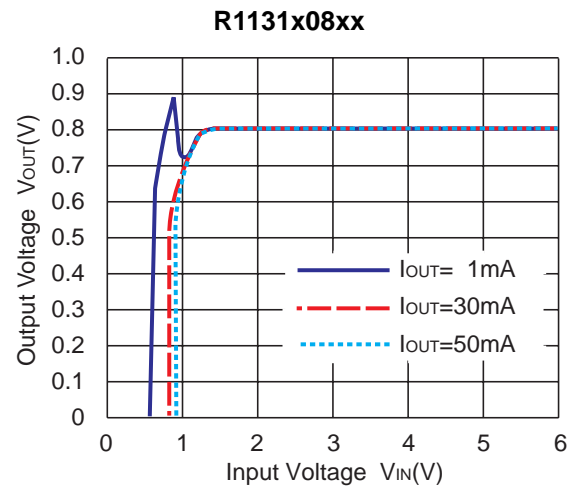
**R1131x**

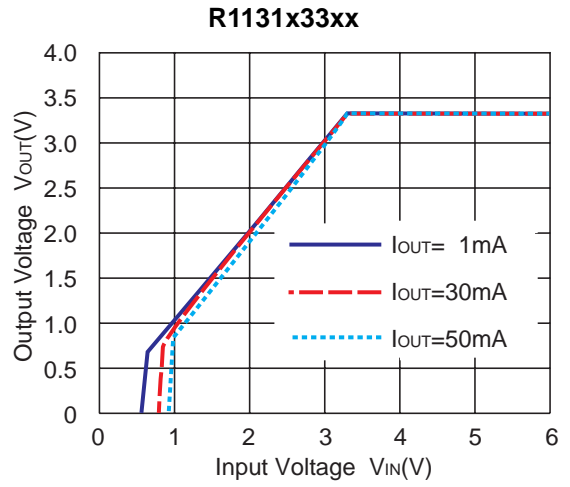
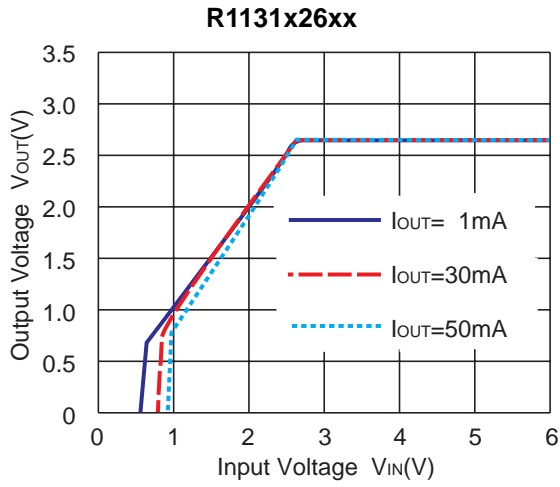
**TYPICAL CHARACTERISTICS**

**1) Output Voltage vs. Output Current**

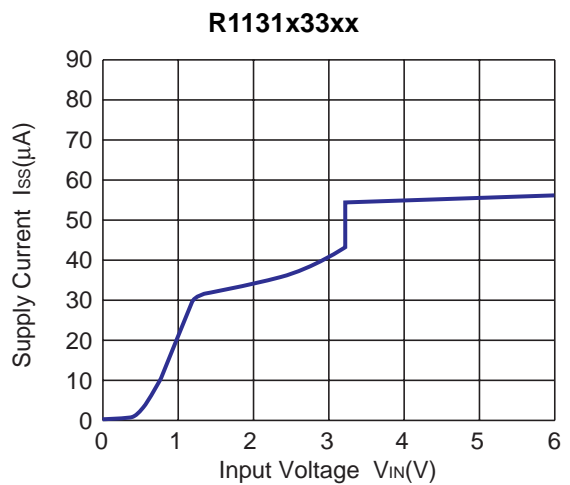
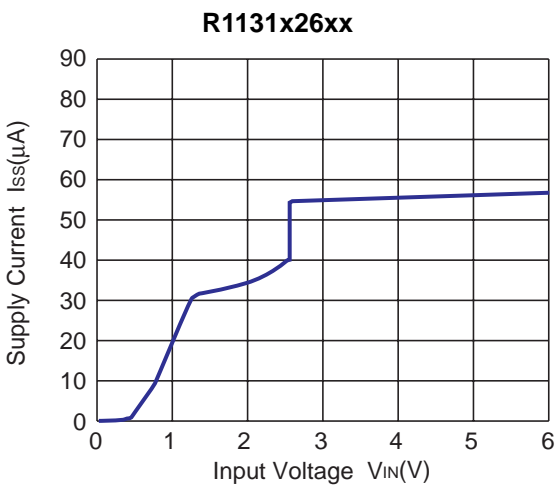
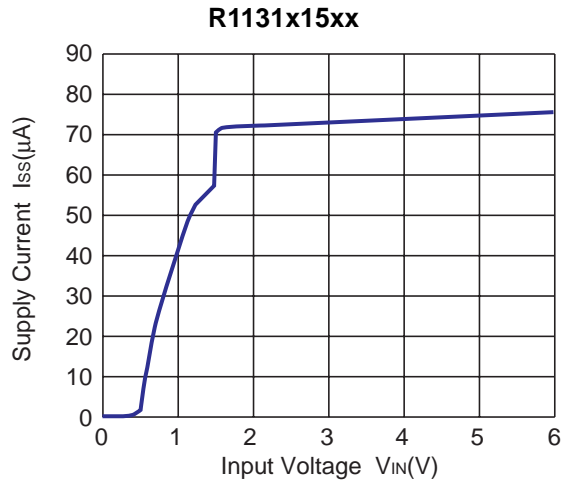
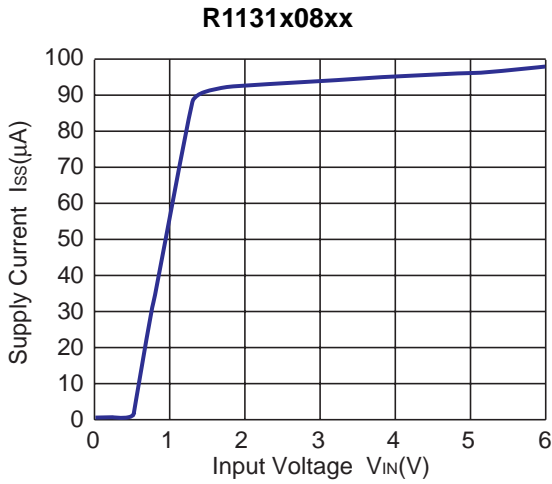


**2) Output Voltage vs. Input Voltage**





### 3) Supply Current vs. Input Voltage

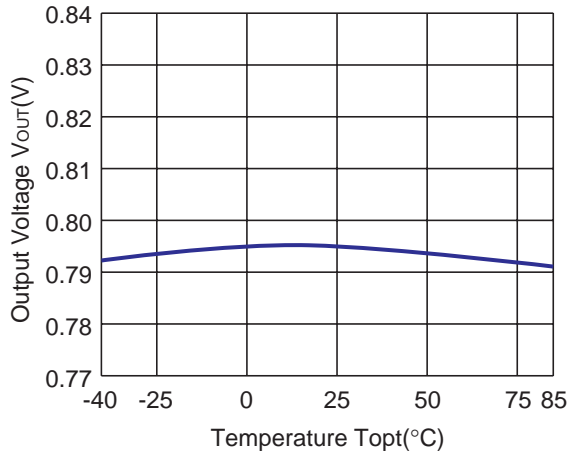


\* R1131Dxx2 (HSON-6) is the discontinued product. As of June in 2016.

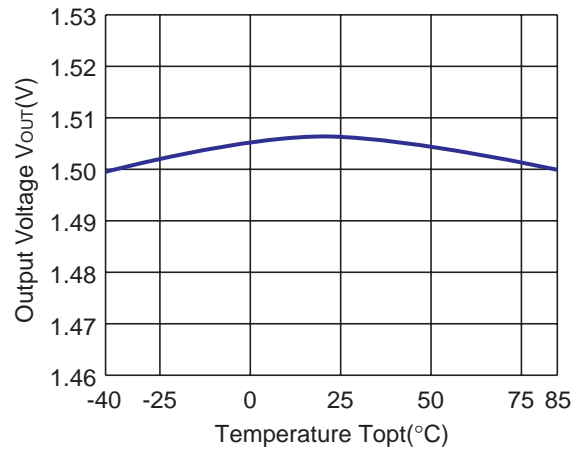
## R1131x

### 4) Output Voltage vs. Temperature

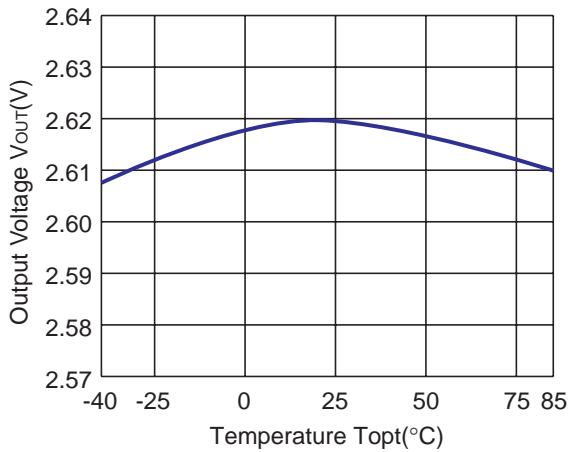
R1131x08xx



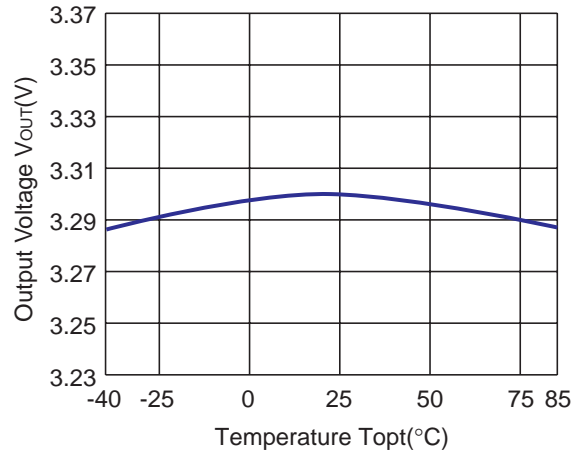
R1131x15xx



R1131x26xx

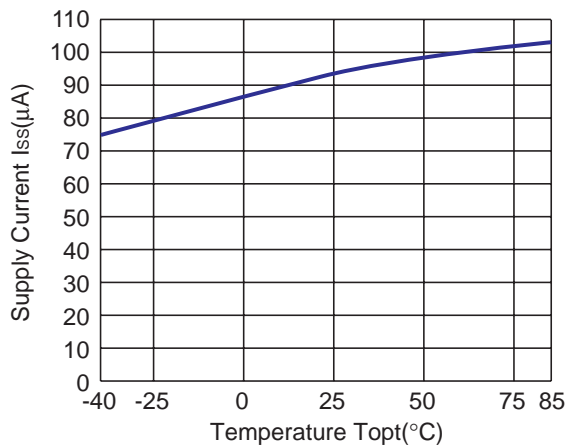


R1131x33xx

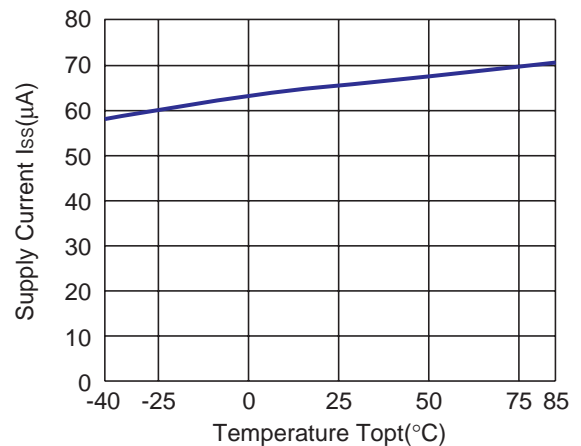


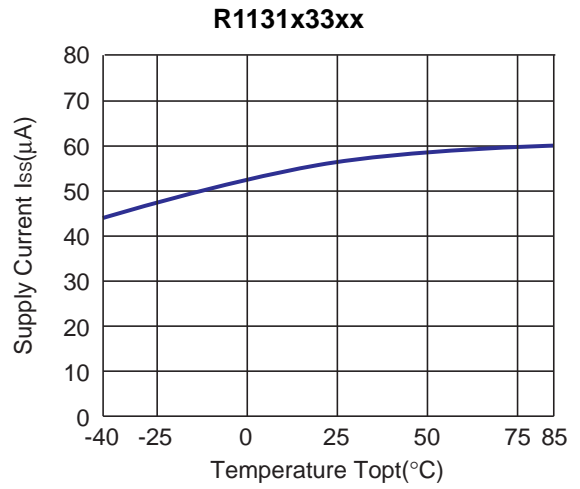
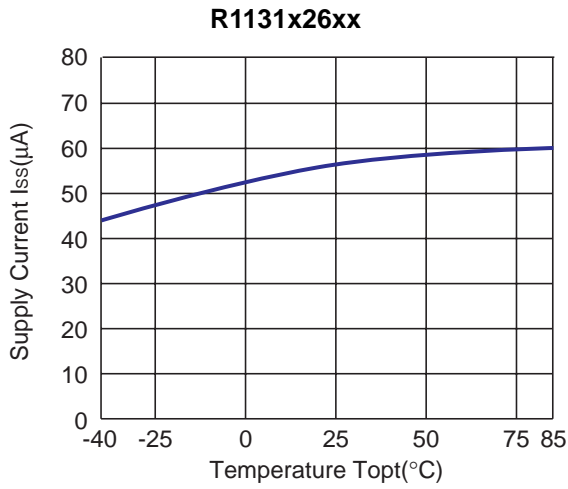
### 5) Supply Current vs. Temperature

R1131x08xx

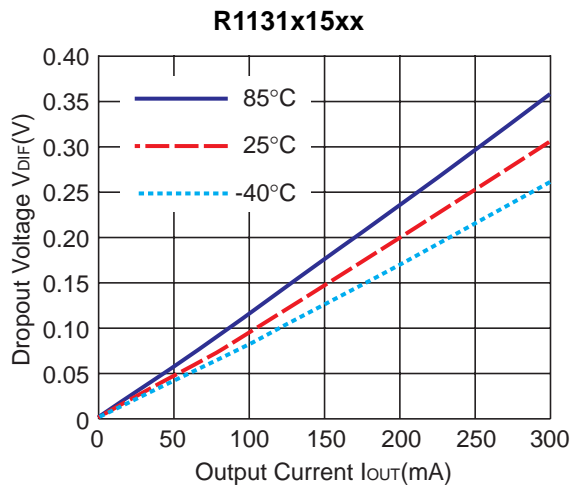
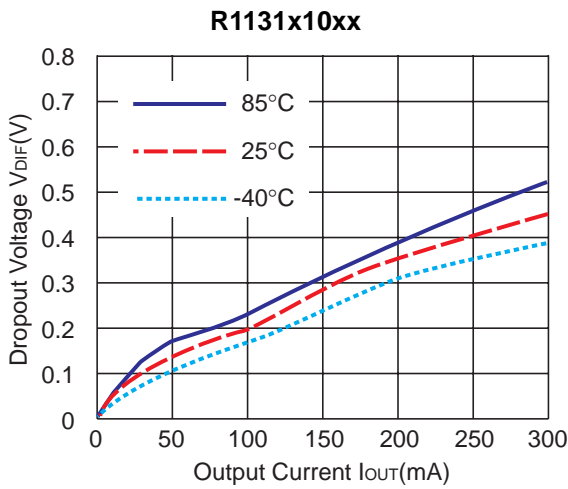
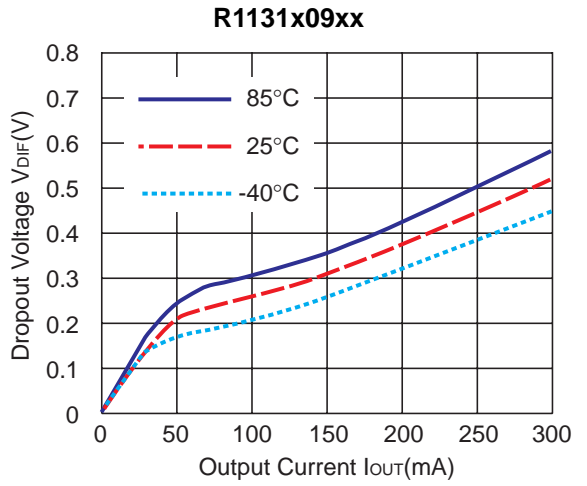
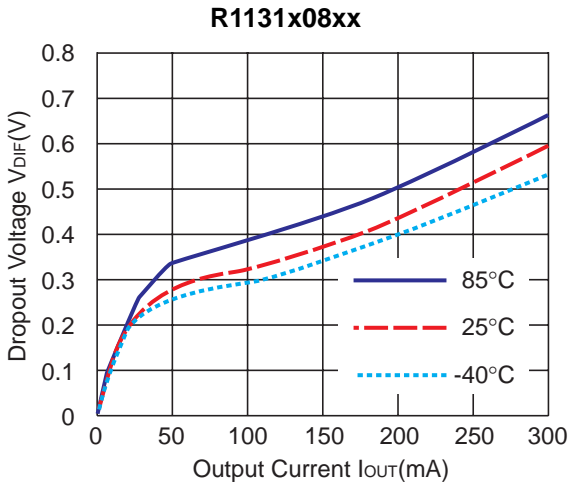


R1131x15xx



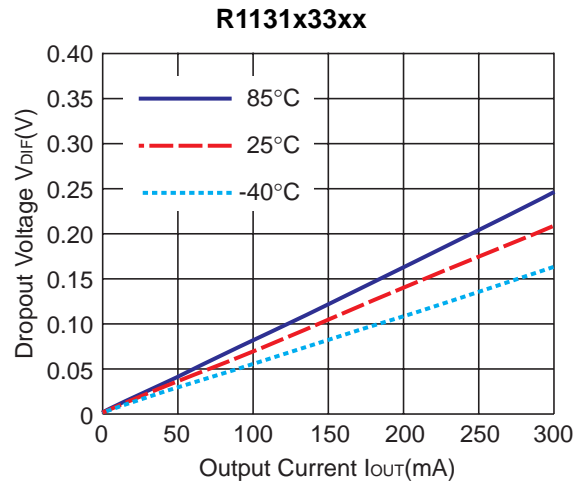
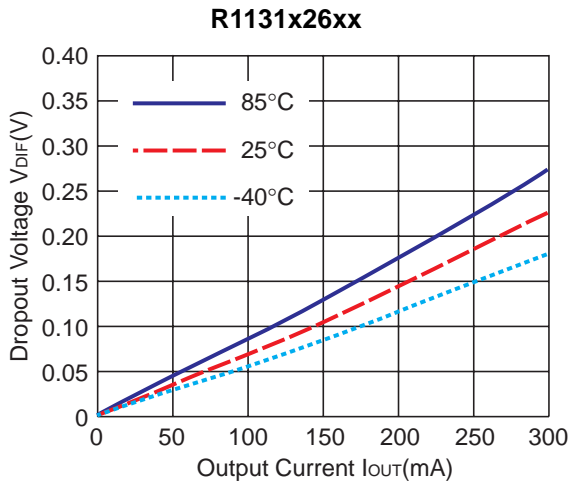


**6) Dropout Voltage vs. Output Current**

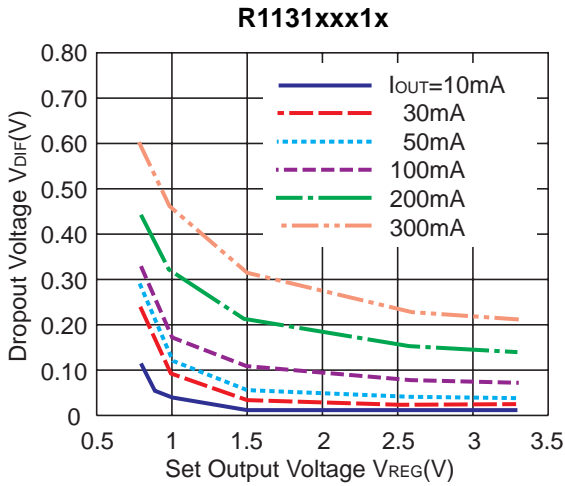


\* R1131Dxx2 (HSON-6) is the discontinued product. As of June in 2016.

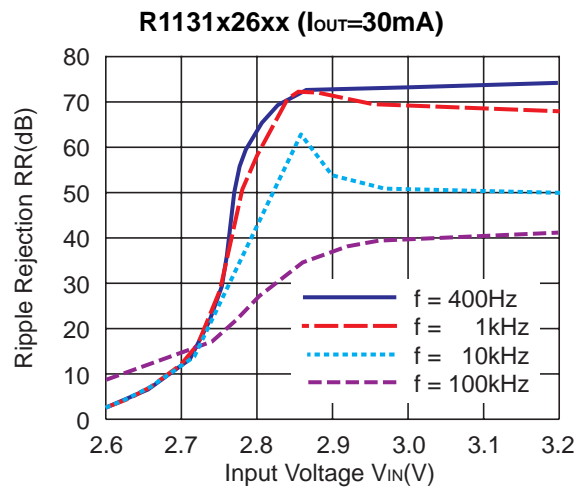
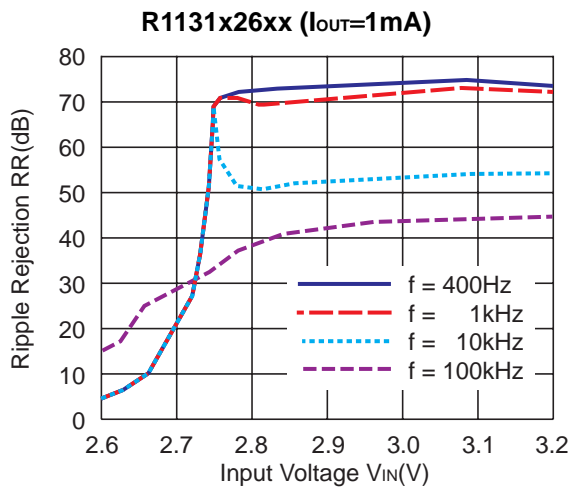
**R1131x**

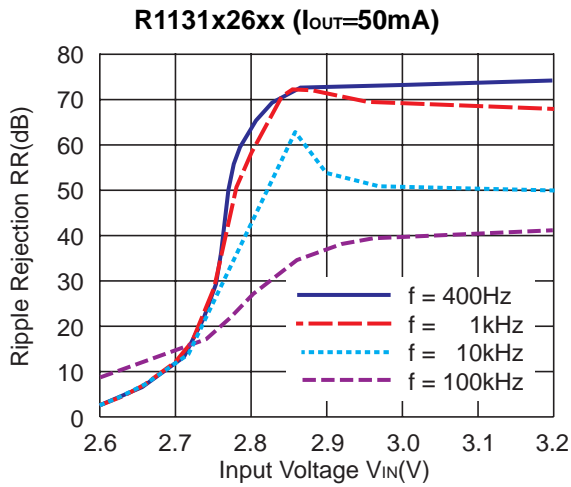


**7) Dropout Voltage vs. Set Output Voltage (T<sub>opt</sub>=25°C)**

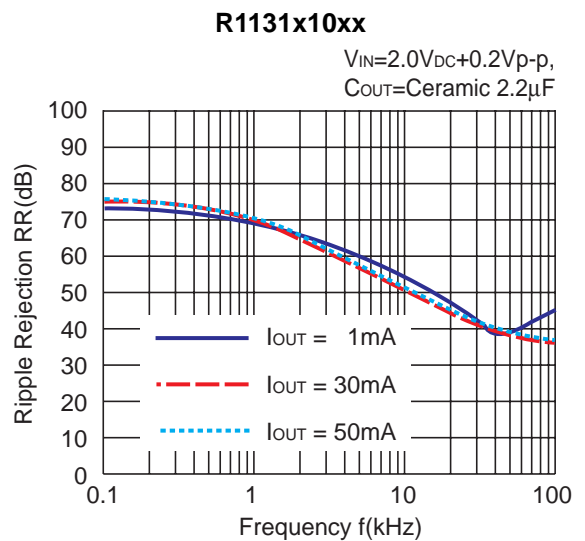
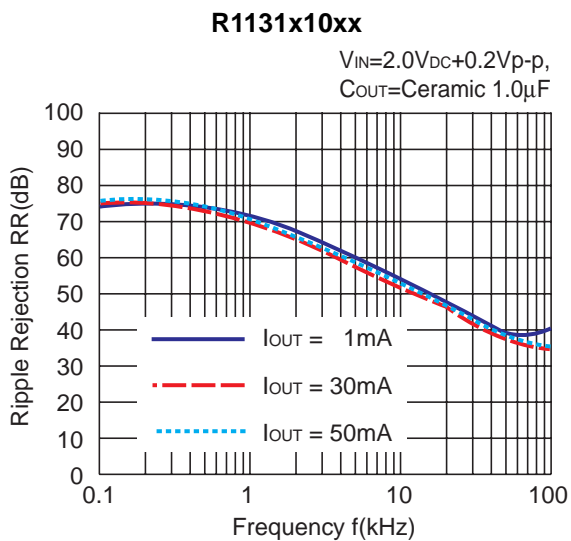
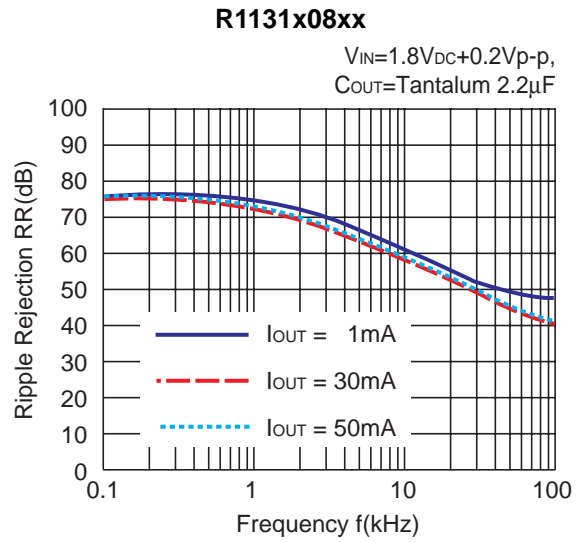
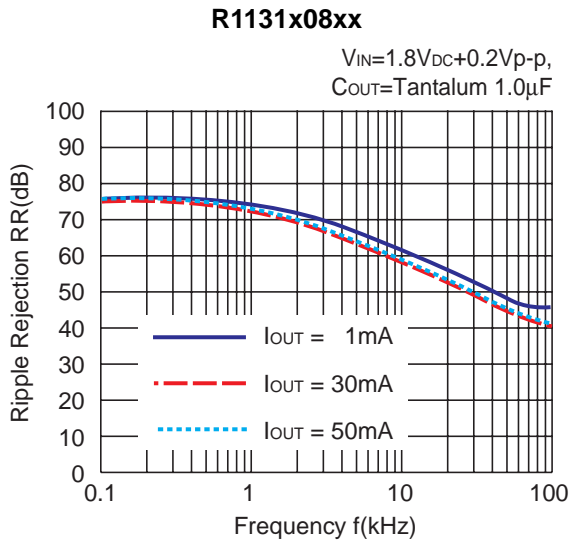


**8) Ripple Rejection vs. Input Bias (T<sub>opt</sub>=25°C C<sub>IN</sub>=none, C<sub>OUT</sub>=Ceramic 1.0μF Ripple 0.2V<sub>P-P</sub>)**



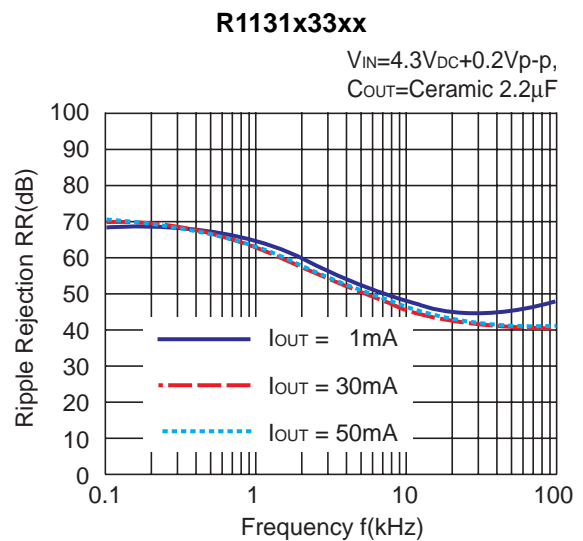
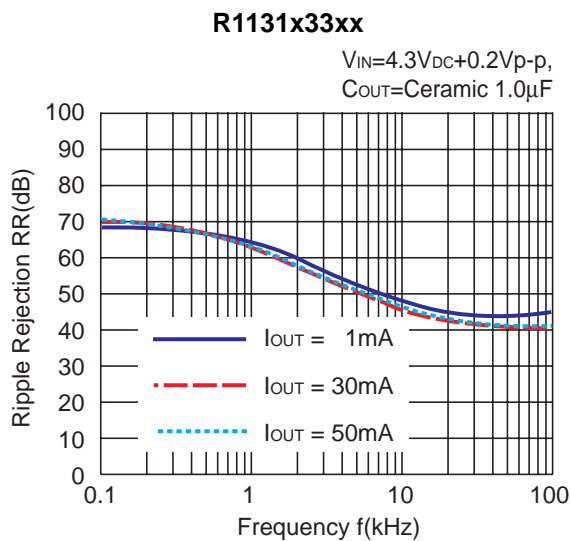
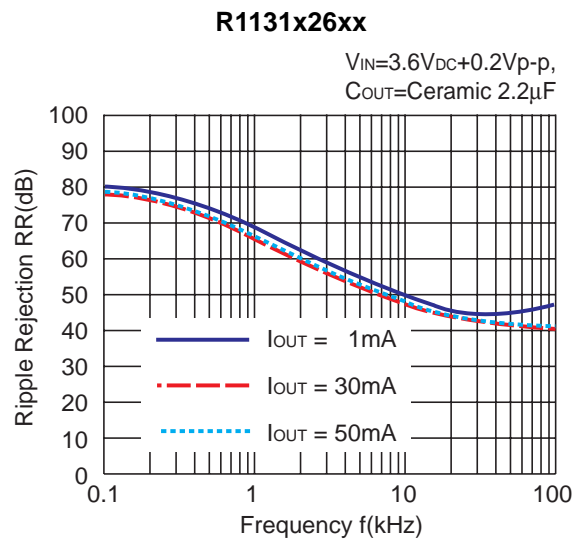
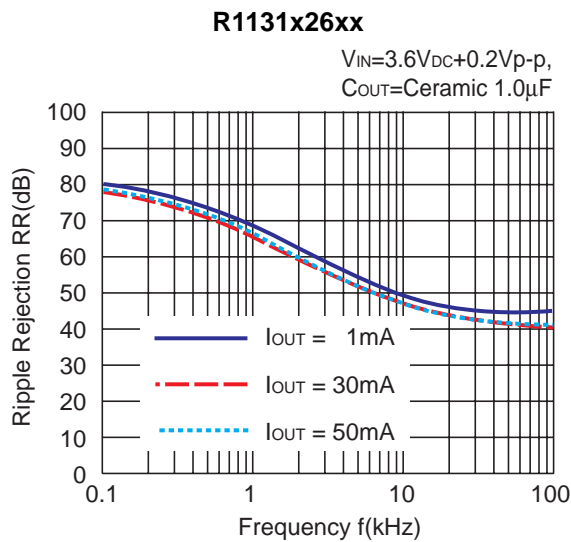
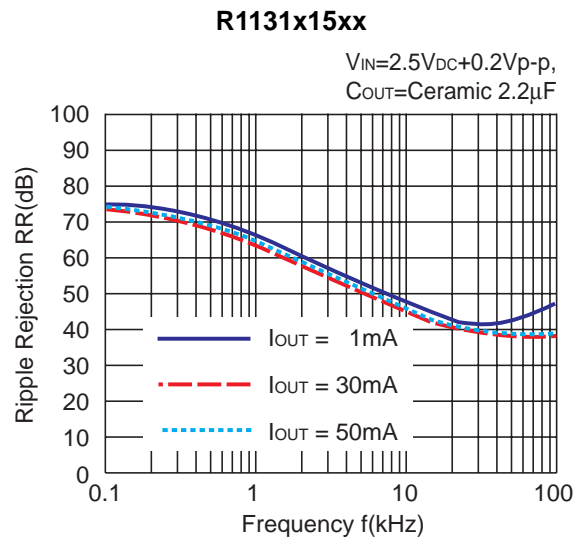
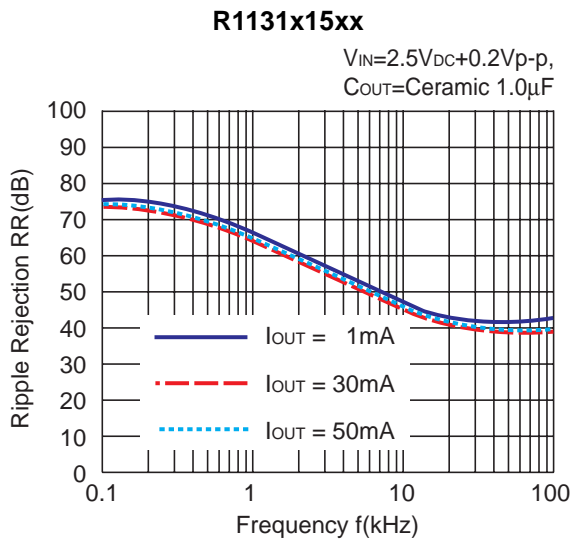


**9) Ripple Rejection vs. Frequency (C<sub>IN</sub>=none)**



\* R1131Dxx2 (HSON-6) is the discontinued product. As of June in 2016.

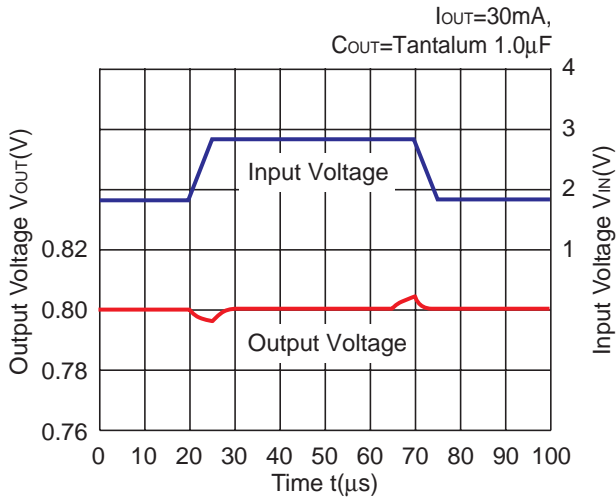
**R1131x**



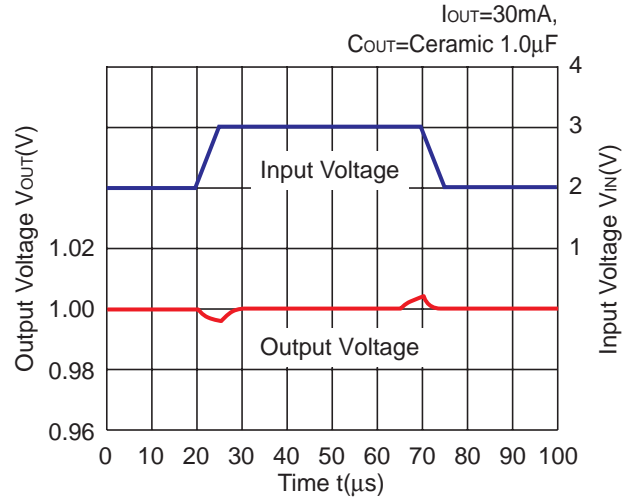


10) Input Transient Response ( $C_{IN}=none, tr=tf=5\mu s$ )

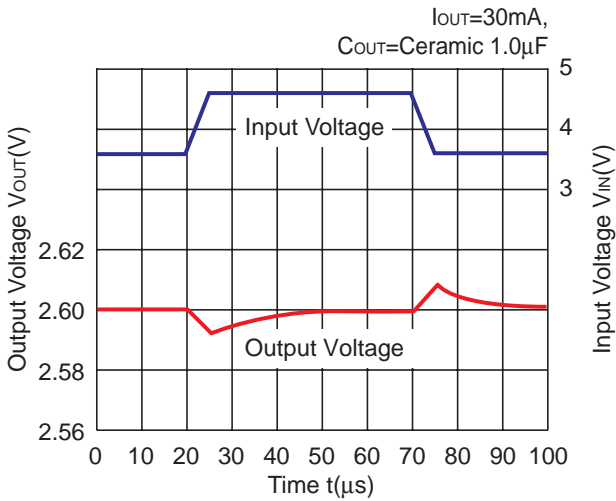
R1131x08xx



R1131x10x

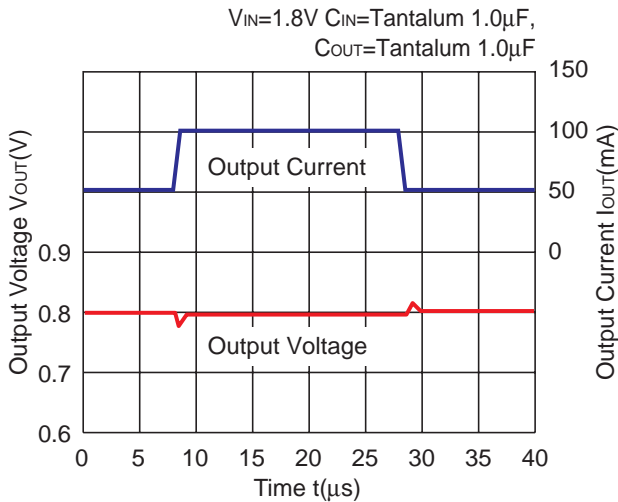


R1131x26xx

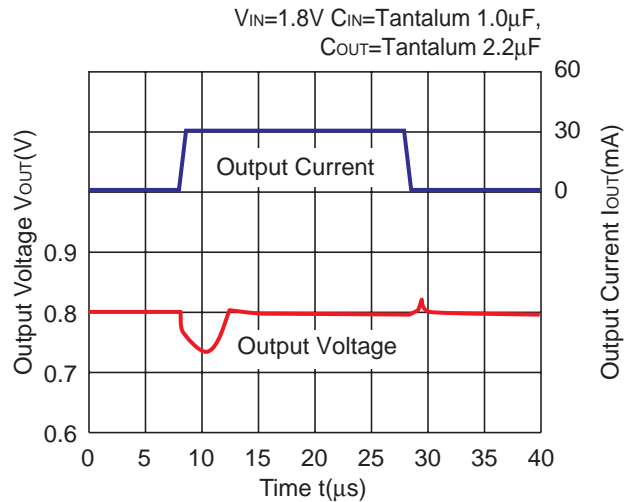


11) Load Transient Response ( $tr=tf=0.5\mu s$ )

R1131x08xx



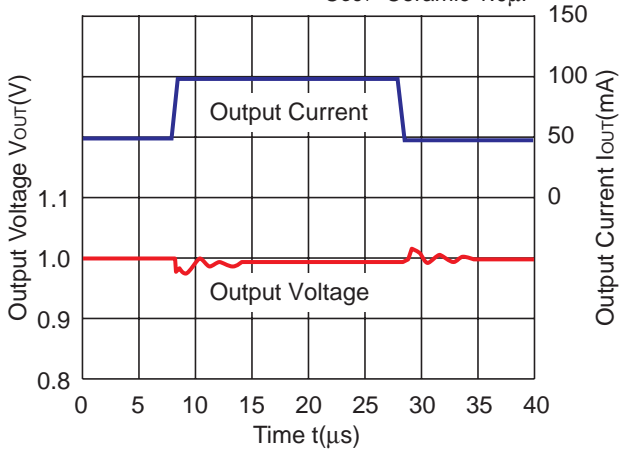
R1131x08xx



**R1131x**

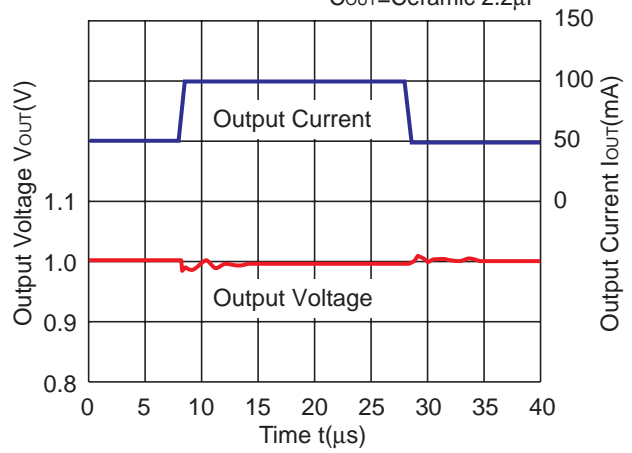
**R1131x10xx**

$V_{IN}=2.0V$   $C_{IN}$ =Ceramic  $1.0\mu F$ ,  
 $C_{OUT}$ =Ceramic  $1.0\mu F$



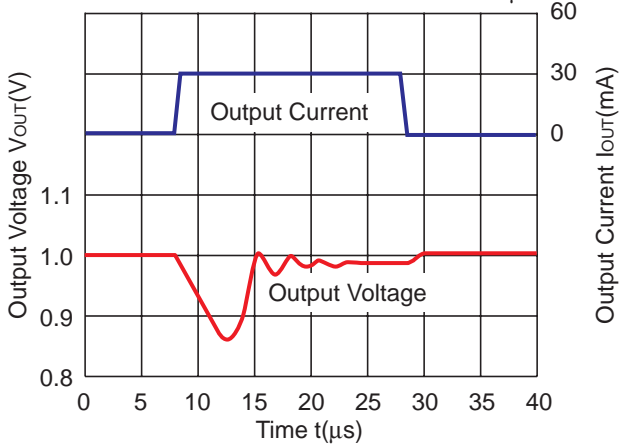
**R1131x10xx**

$V_{IN}=2.0V$   $C_{IN}$ =Ceramic  $1.0\mu F$ ,  
 $C_{OUT}$ =Ceramic  $2.2\mu F$



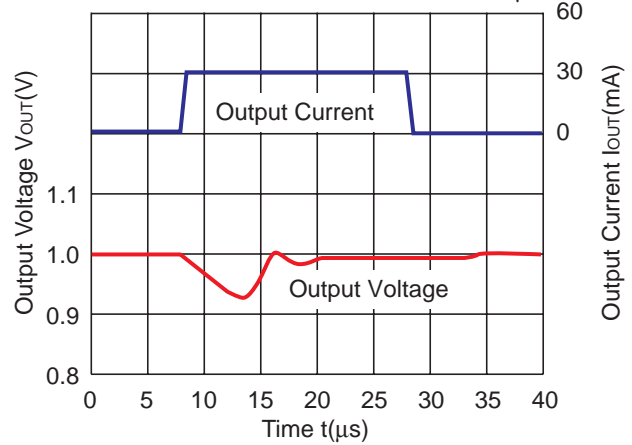
**R1131x10xx**

$V_{IN}=2.0V$   $C_{IN}$ =Ceramic  $1.0\mu F$ ,  
 $C_{OUT}$ =Ceramic  $1.0\mu F$



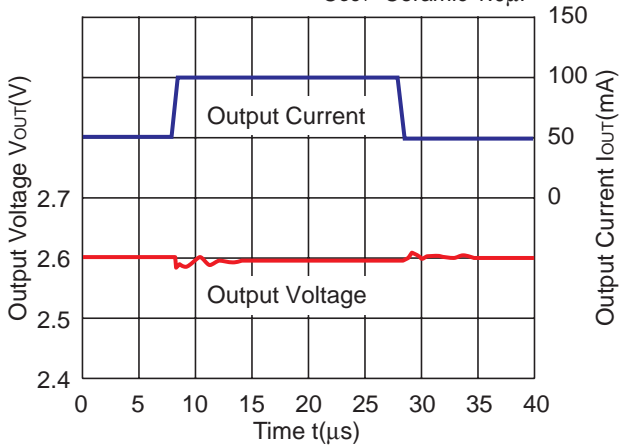
**R1131x10xx**

$V_{IN}=2.0V$   $C_{IN}$ =Ceramic  $1.0\mu F$ ,  
 $C_{OUT}$ =Ceramic  $2.2\mu F$



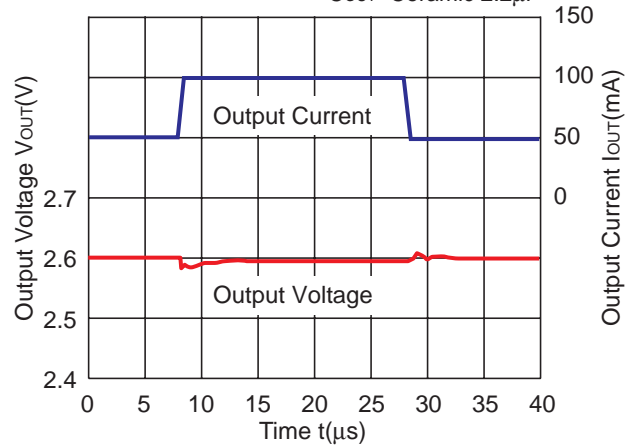
**R1131x26xx**

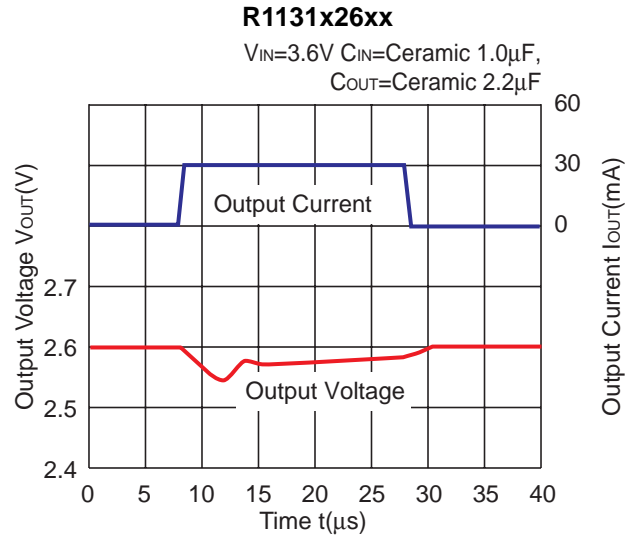
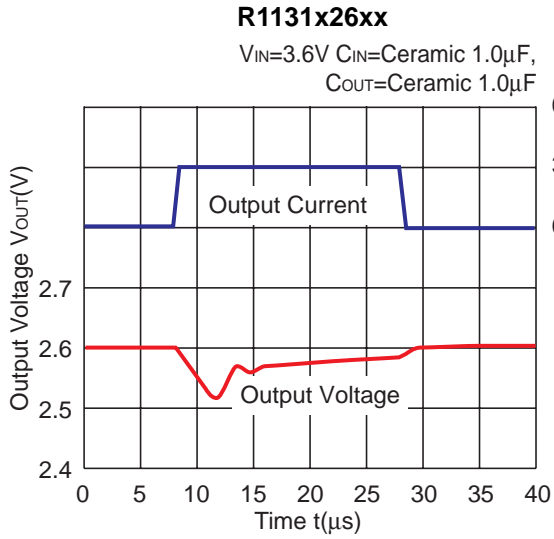
$V_{IN}=3.6V$   $C_{IN}$ =Ceramic  $1.0\mu F$ ,  
 $C_{OUT}$ =Ceramic  $1.0\mu F$



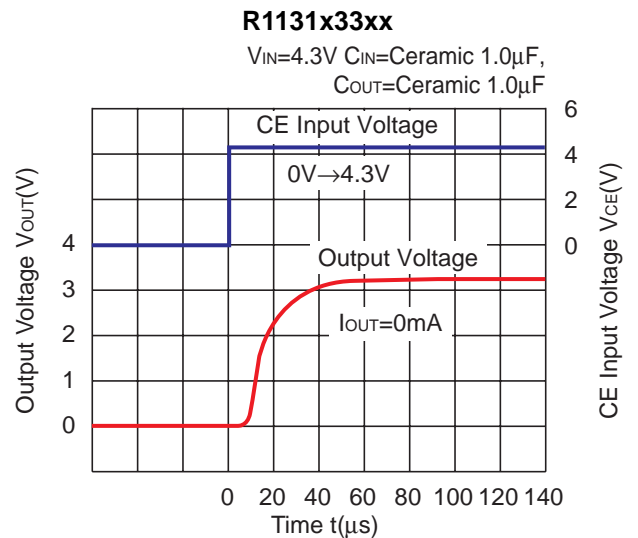
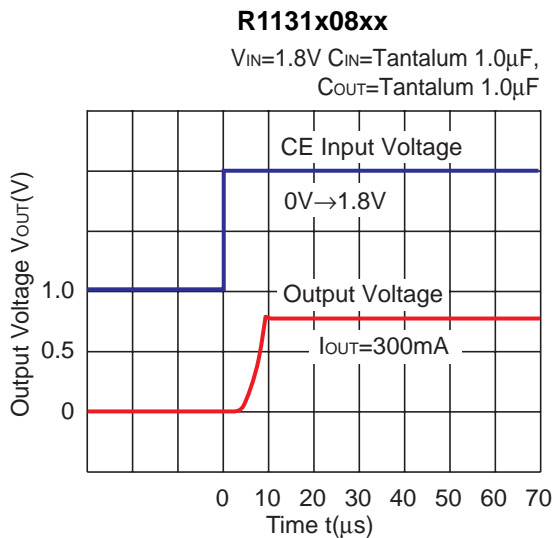
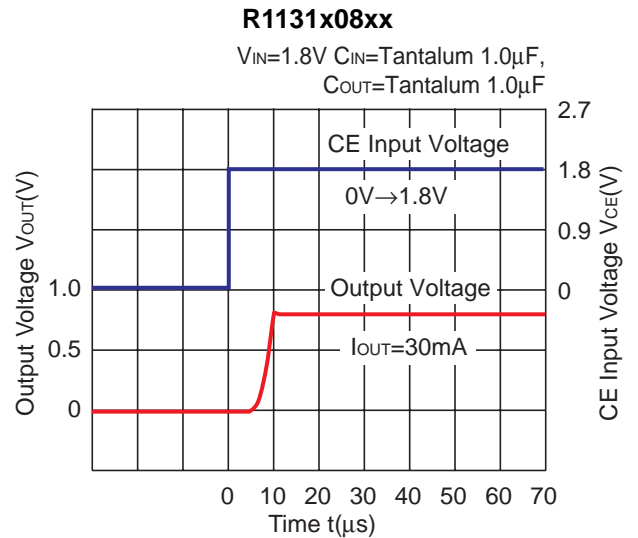
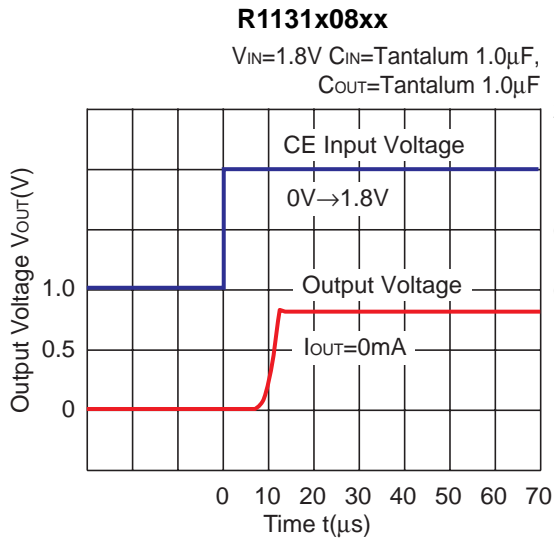
**R1131x26xx**

$V_{IN}=3.6V$   $C_{IN}$ =Ceramic  $1.0\mu F$ ,  
 $C_{OUT}$ =Ceramic  $2.2\mu F$





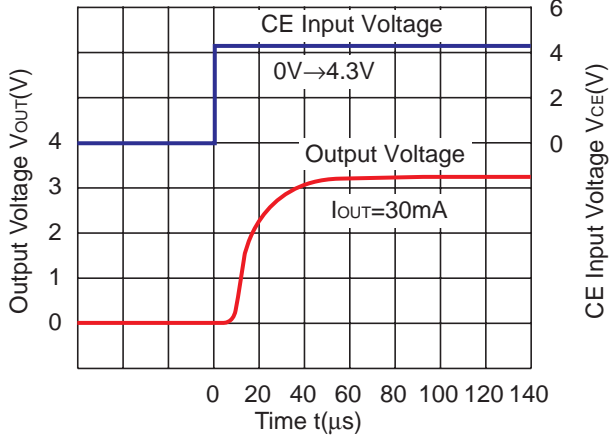
12) Turn on speed with CE pin



**R1131x**

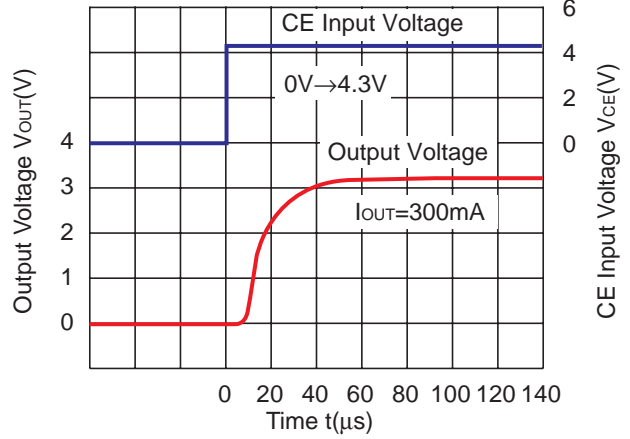
**R1131x33xx (ECO=H)**

$V_{IN}=4.3V$   $C_{IN}=\text{Ceramic } 1.0\mu F$ ,  
 $C_{OUT}=\text{Ceramic } 1.0\mu F$



**R1131x33xx (ECO=L)**

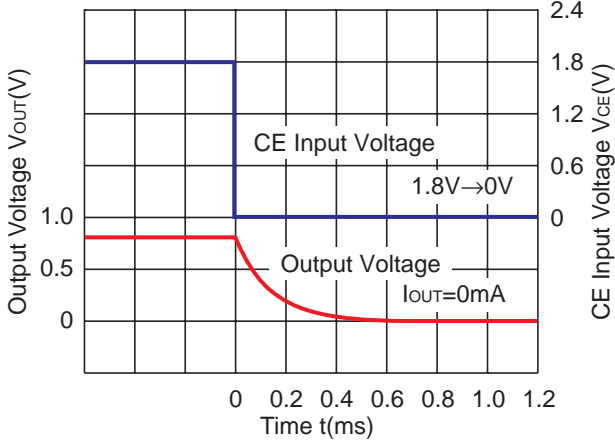
$V_{IN}=4.3V$   $C_{IN}=\text{Ceramic } 1.0\mu F$ ,  
 $C_{OUT}=\text{Ceramic } 1.0\mu F$



**13) Turn-off Speed with CE**

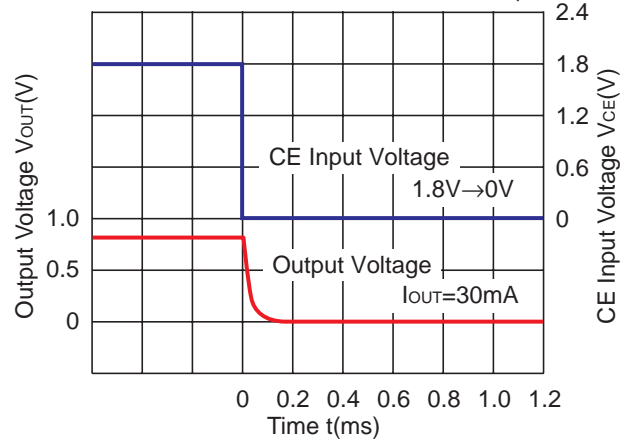
**R1131x08xD**

$V_{IN}=1.8V$   $C_{IN}=\text{Tantalum } 1.0\mu F$ ,  
 $C_{OUT}=\text{Tantalum } 1.0\mu F$



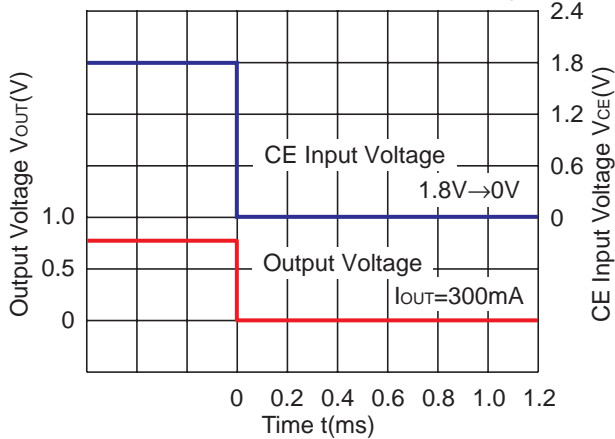
**R1131x08xD**

$V_{IN}=1.8V$   $C_{IN}=\text{Tantalum } 1.0\mu F$ ,  
 $C_{OUT}=\text{Tantalum } 1.0\mu F$



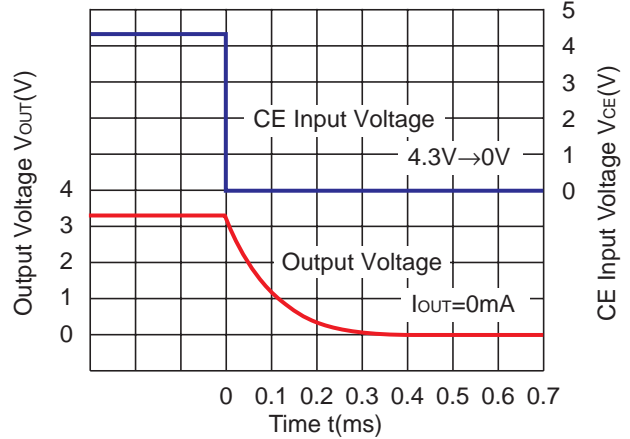
**R1131x08xD**

$V_{IN}=1.8V$   $C_{IN}=\text{Tantalum } 1.0\mu F$ ,  
 $C_{OUT}=\text{Tantalum } 1.0\mu F$



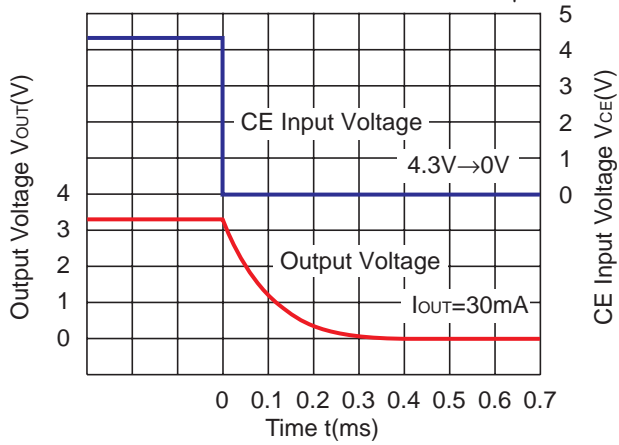
**R1131x33xD**

$V_{IN}=4.3V$   $C_{IN}=\text{Ceramic } 1.0\mu F$ ,  
 $C_{OUT}=\text{Ceramic } 1.0\mu F$



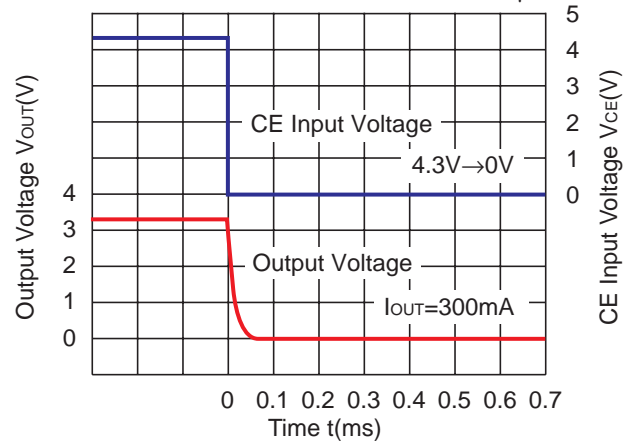
**R1131x33xD**

$V_{IN}=4.3V$   $C_{IN}=\text{Ceramic } 1.0\mu F$ ,  
 $C_{OUT}=\text{Ceramic } 1.0\mu F$



**R1131x33xD**

$V_{IN}=4.3V$   $C_{IN}=\text{Ceramic } 1.0\mu F$ ,  
 $C_{OUT}=\text{Ceramic } 1.0\mu F$



## R1131x

### ESR vs. Output Current

When using these ICs, consider the following points:

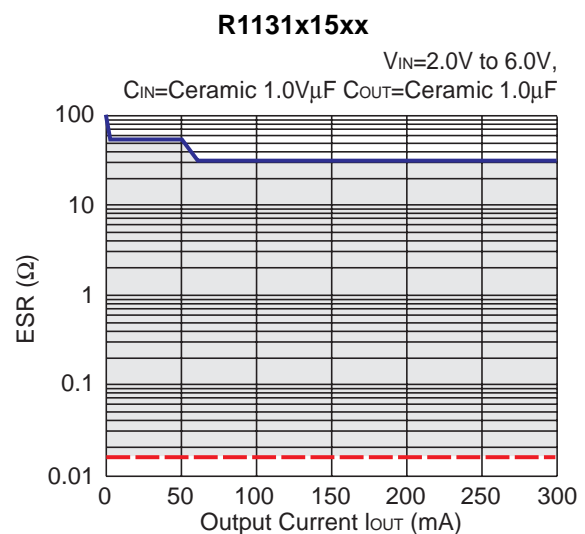
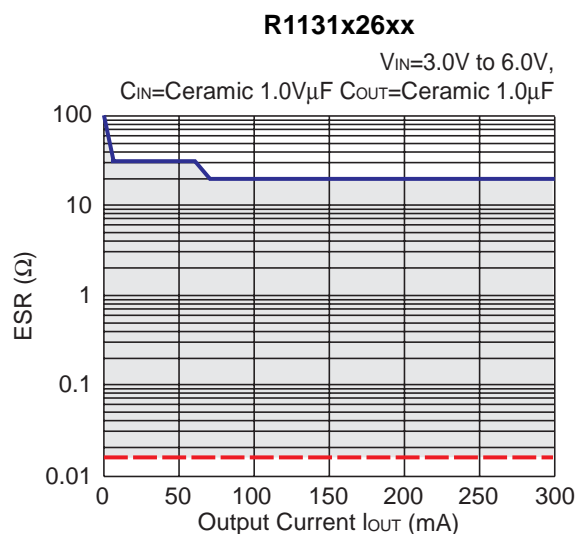
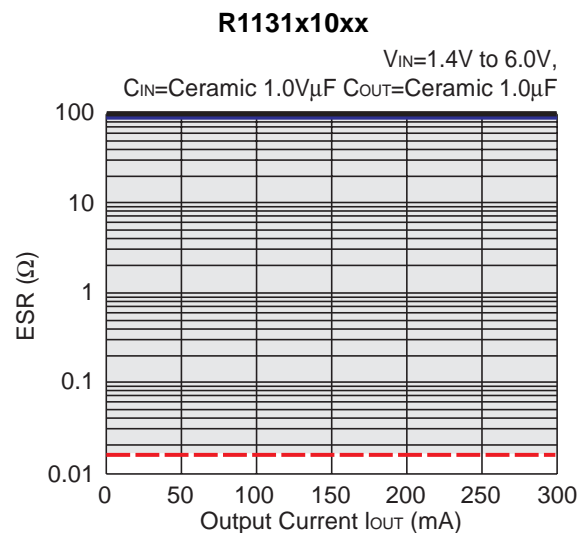
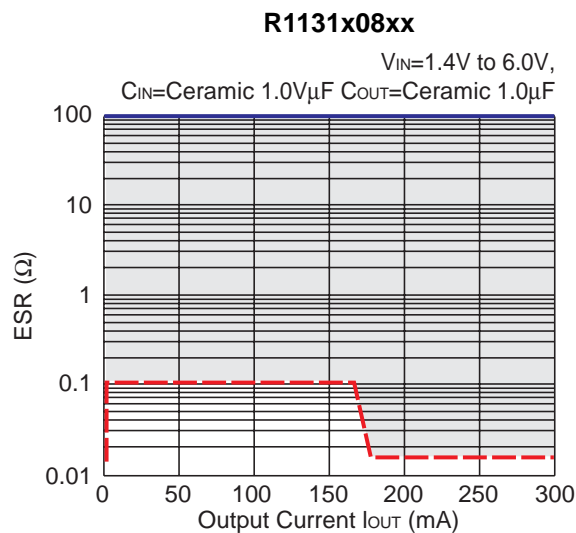
In these ICs, phase compensation is made for securing stable operation even if the load current is varied. For this purpose, be sure to use a capacitor  $C_{OUT}$  with good frequency characteristics and ESR (Equivalent Series Resistance) of which is in the range described as follows:

The relations between  $I_{OUT}$  (Output Current) and ESR of Output Capacitor are shown below.

The conditions when the white noise level is under  $40\mu V$ (Avg.) are marked as the hatched area in the graph.

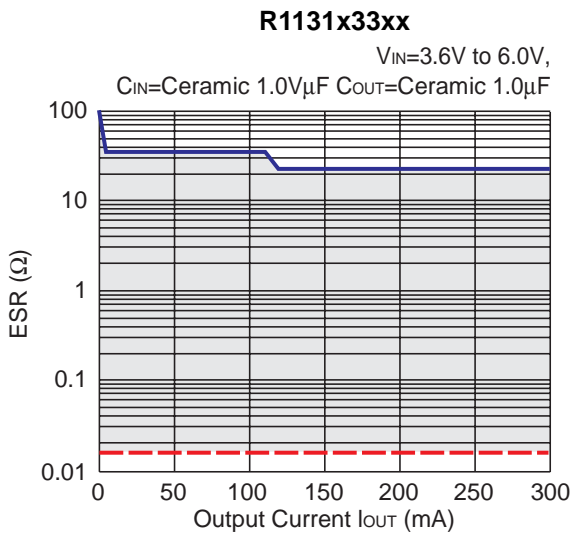
#### <Test conditions>

- (1) Frequency band: 10Hz to 2MHz
- (2) Temperature: 25°C



\* R1131Dxx2 (HSON-6) is the discontinued product. As of June in 2016.

R1131x





1. The products and the product specifications described in this document are subject to change or discontinuation of production without notice for reasons such as improvement. Therefore, before deciding to use the products, please refer to Ricoh sales representatives for the latest information thereon.
2. The materials in this document may not be copied or otherwise reproduced in whole or in part without prior written consent of Ricoh.
3. Please be sure to take any necessary formalities under relevant laws or regulations before exporting or otherwise taking out of your country the products or the technical information described herein.
4. The technical information described in this document shows typical characteristics of and example application circuits for the products. The release of such information is not to be construed as a warranty of or a grant of license under Ricoh's or any third party's intellectual property rights or any other rights.
5. The products listed in this document are intended and designed for use as general electronic components in standard applications (office equipment, telecommunication equipment, measuring instruments, consumer electronic products, amusement equipment etc.). Those customers intending to use a product in an application requiring extreme quality and reliability, for example, in a highly specific application where the failure or misoperation of the product could result in human injury or death (aircraft, spacevehicle, nuclear reactor control system, traffic control system, automotive and transportation equipment, combustion equipment, safety devices, life support system etc.) should first contact us.
6. We are making our continuous effort to improve the quality and reliability of our products, but semiconductor products are likely to fail with certain probability. In order to prevent any injury to persons or damages to property resulting from such failure, customers should be careful enough to incorporate safety measures in their design, such as redundancy feature, fire containment feature and fail-safe feature. We do not assume any liability or responsibility for any loss or damage arising from misuse or inappropriate use of the products.
7. Anti-radiation design is not implemented in the products described in this document.
8. Please contact Ricoh sales representatives should you have any questions or comments concerning the products or the technical information.



**Ricoh is committed to reducing the environmental loading materials in electrical devices with a view to contributing to the protection of human health and the environment.**

Ricoh has been providing RoHS compliant products since April 1, 2006 and Halogen-free products since April 1, 2012.

**RICOH** RICOH ELECTRONIC DEVICES CO., LTD.

<http://www.e-devices.ricoh.co.jp/en/>

#### Sales & Support Offices

##### **RICOH ELECTRONIC DEVICES CO., LTD.**

**Higashi-Shinagawa Office (International Sales)**  
3-32-3, Higashi-Shinagawa, Shinagawa-ku, Tokyo 140-8655, Japan  
Phone: +81-3-5479-2857 Fax: +81-3-5479-0502

##### **RICOH EUROPE (NETHERLANDS) B.V.**

**Semiconductor Support Centre**  
Prof. W.H. Keesomlaan 1, 1183 DJ Amstelveen, The Netherlands  
Phone: +31-20-5474-309

##### **RICOH INTERNATIONAL B.V. - German Branch**

**Semiconductor Sales and Support Centre**  
Oberrather Strasse 6, 40472 Düsseldorf, Germany  
Phone: +49-211-6546-0

##### **RICOH ELECTRONIC DEVICES KOREA CO., LTD.**

3F, Haesung Bldg, 504, Teheran-ro, Gangnam-gu, Seoul, 135-725, Korea  
Phone: +82-2-2135-5700 Fax: +82-2-2051-5713

##### **RICOH ELECTRONIC DEVICES SHANGHAI CO., LTD.**

Room 403, No.2 Building, No.690 Bibo Road, Pu Dong New District, Shanghai 201203, People's Republic of China  
Phone: +86-21-5027-3200 Fax: +86-21-5027-3299

##### **RICOH ELECTRONIC DEVICES CO., LTD.**

**Taipei office**  
Room 109, 10F-1, No.51, Hengyang Rd., Taipei City, Taiwan (R.O.C.)  
Phone: +886-2-2313-1621/1622 Fax: +886-2-2313-1623