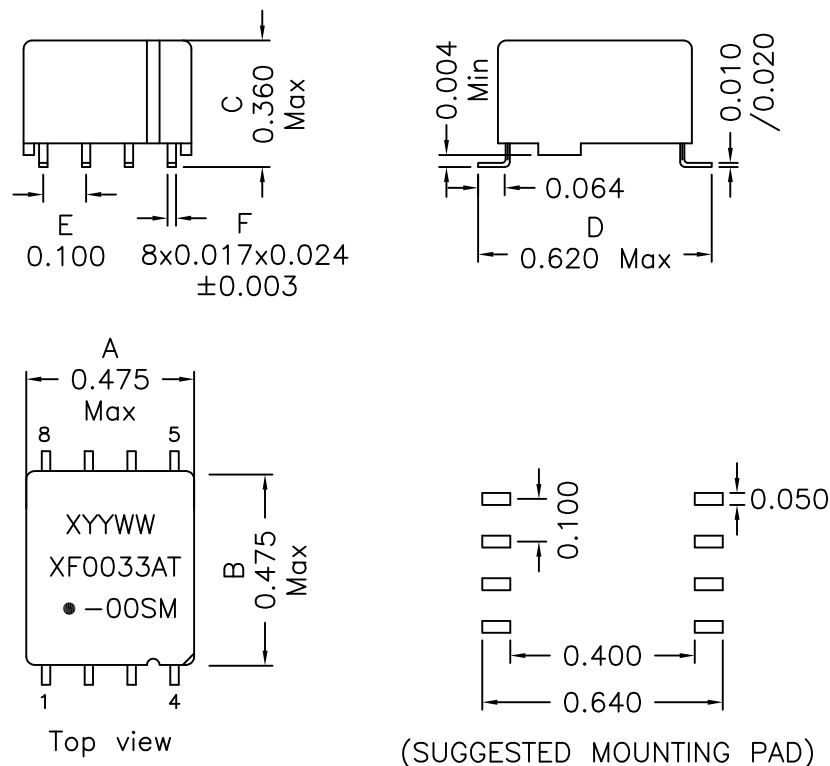


1. Mechanical Dimensions:

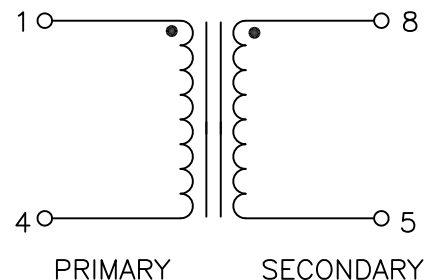


Notes:

1. Solderability: Leads shall meet MIL-STD-202G, Method 208H for solderability.
2. Flammability: UL94V-0
3. ASTM oxygen index: > 28%
4. Insulation System: Class F 155°C. UL file E151556
5. Operating Temperature Range: All listed parameters are to be within tolerance from -40°C to +85°C
6. Storage Temperature Range: -55°C to +125°C
7. Aqueous wash compatible
8. SMD Lead Coplanarity: ±0.004"(0.102mm)
9. Electrical and mechanical specifications 100% tested
10. RoHS Compliant Component

DOC REV: B/1

2. Schematic:



3. Electrical Specifications: @25°C

Isolation: 2000Vrms (Pri/Sec)

Turns Ratio: 1:1 ±3%

Pri OCL: 2.5mH ±20%, 100KHz, 50mV

Leakage Inductance: 0.50uH Maximum, 100KHz, 50mV

ET Constant: 20V/uS

Rise Time: 25nS Maximum

Bandwidth: 3dB Typical 100KHz to 55MHz

Return Loss: 20dB Min, 100KHz - 10MHz

XFMRs Inc www.XFMRs.com	Title: TRANSFORMER Digital Audio Data Transmission		
	UNLESS OTHERWISE SPECIFIED TOLERANCES: .xxx ±0.010 Dimensions in Inch	P/N: XF0033AT-00SM	REV. B
SCALE 3:1 SHT 1 OF 1	DWN.	Yuan	Jul-15-13
	CHK.	YK Liao	Jul-15-13
	APP.	BSJ	Jul-15-13