

THIS DRAWING IS UNPUBLISHED. RELEASED FOR PUBLICATION

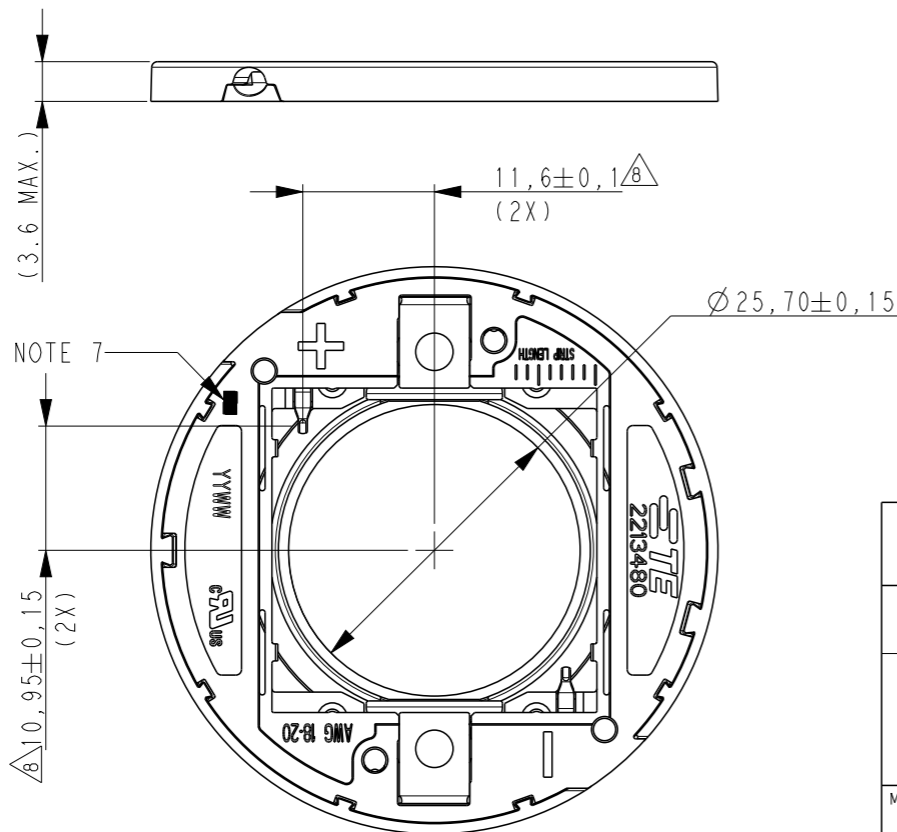
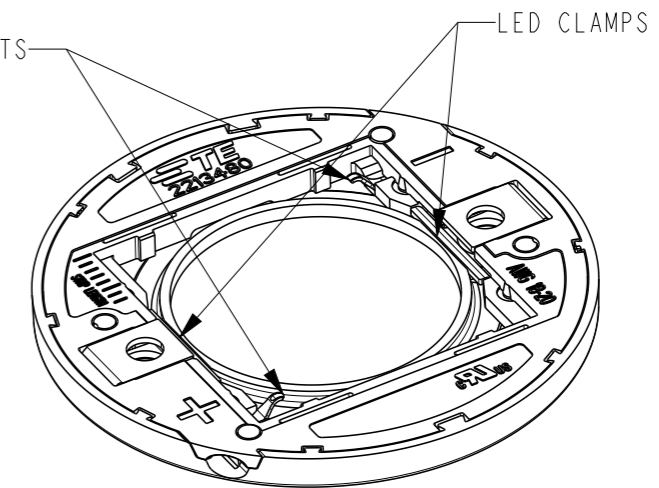
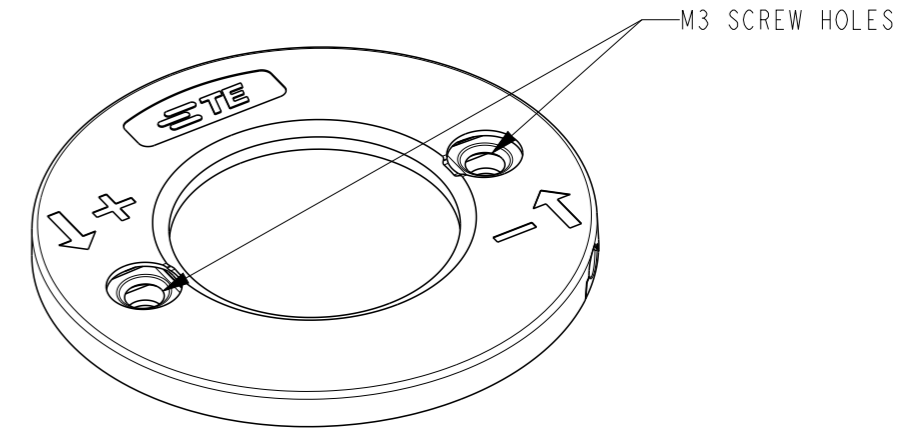
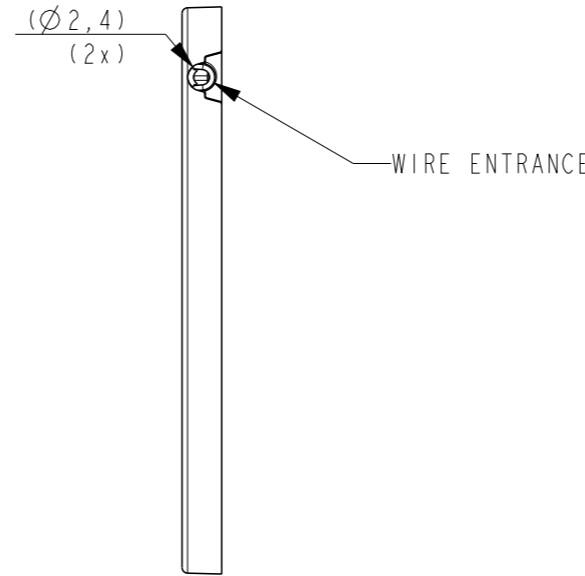
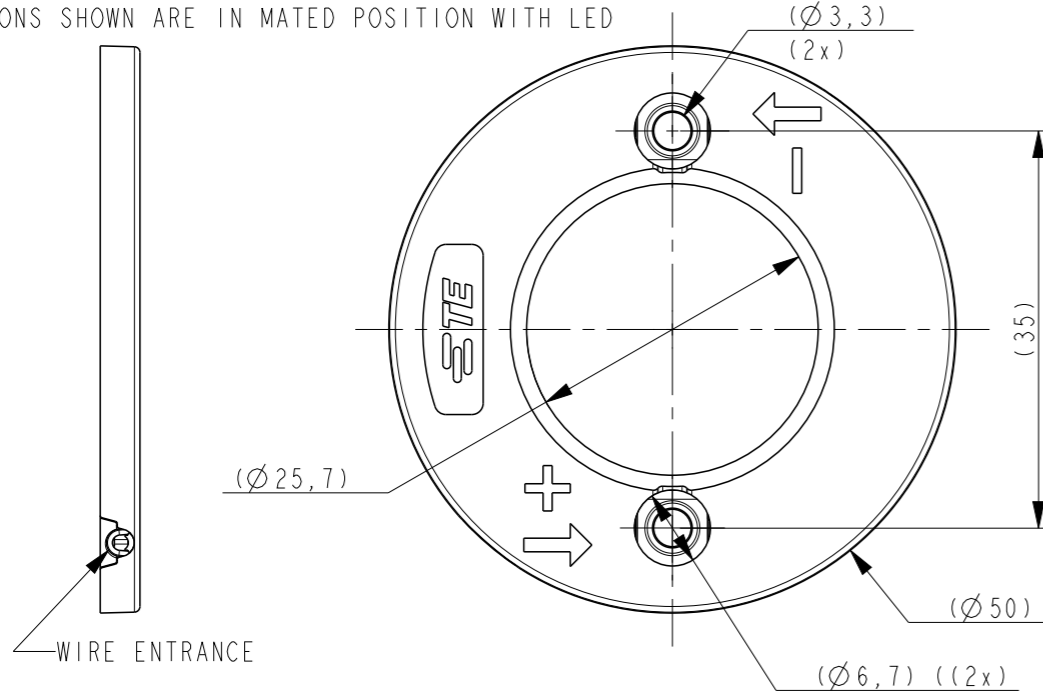
© COPYRIGHT - BY TYCO ELECTRONICS CORPORATION. ALL RIGHTS RESERVED.

LOC	DIST	REVISIONS					
		P	LTR	DESCRIPTION	DATE	DWN	APVD
H	-		A	ECR-15-001589	03FEB2015	KR	OL
			B	ECR-15-006869	02MAY2015	KR	OL
			C	ECR-16-008263	09JUN2016	KR	MvE

NOTES:

- MATERIALS:  
HOUSING: GLASS FILLED PBT, HALOGEN FREE FLAME RETARDANT  
COLOR : WHITE  
CONTACTS: GOLD PLATED COPPER ALLOY
- FOR WIRE TYPES AWG 18 AND 20 AWG.
- COMPLIES WITH DIRECTIVE 2002/95/EC (ROHS)
- WIRE STRIP LENGTH: 7-8 mm
- MAX. WIRE INSULATION OUTER DIAM.:  $\varnothing 2.3\text{mm}$ .
- RECOMMENDED SCREW TORQUE: 0.4 - 0.6 Nm.
- IN ORDER TO CREATE A FLAT OPTIC LANDING ZONE ON HOLDER A COUNTERSUNK SCREW CAN BE USED, I.E. SCREW-TYPE ISO 10642.
- BLACK MARK INDICATES THE + (ANODE) SIDE

△ DIMENSIONS SHOWN ARE IN MATED POSITION WITH LED



PART NO	DESCRIPTION	PACKAGING
2-2213480-1	Z50 LED HOLDER 2828	2x10 PIECES IN TRAY AND BOX 25 BOXES IN SHIPPING BOX
1-2213480-1	Z50 LED HOLDER 2828	2x10 PIECES IN TRAY AND BOX 25 BOXES IN SHIPPING BOX
2213480-2	LUMAWISE Z50 LED holder 2727 general	2x5 PIECES IN TRAY 56 TRAYS IN SHIPPING BOX
2213480-1	LUMAWISE Z50 LED holder 2828 general	2x5 PIECES IN TRAY 56 TRAYS IN SHIPPING BOX

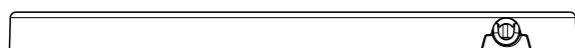
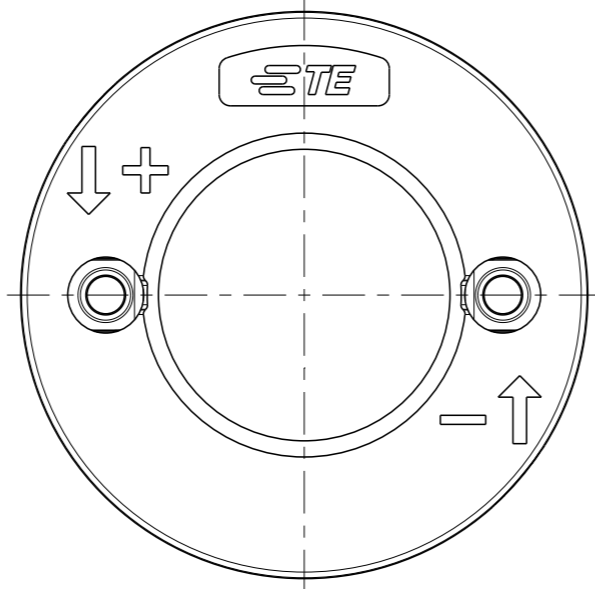
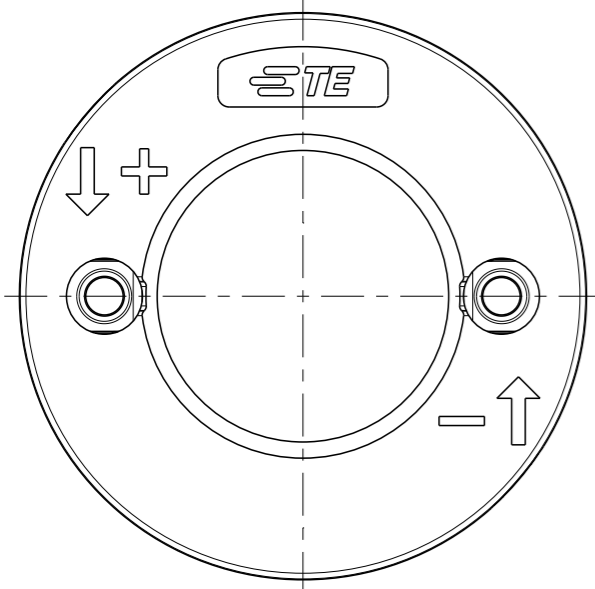
THIS DRAWING IS A CONTROLLED DOCUMENT.		DWN 08APRIL2014 P. POORTER	TE Connectivity	
DIMENSIONS: mm		CHK 08APRIL2014 O. LEIJNSE		
TOLERANCES UNLESS OTHERWISE SPECIFIED:		APVD 08APRIL2014 O. LEIJNSE	NAME LUMAWISE Z50 high performance LED HOLDER	
0 PLC ±- 1 PLC ±- 2 PLC ±- 3 PLC ±- 4 PLC ±- ANGLES ±-		PRODUCT SPEC 108-133018	SIZE A3	CAGE CODE 00779
MATERIAL -		APPLICATION SPEC 114-133019	DRAWING NO C-2213480	RESTRICTED TO -
FINISH -		WEIGHT -	SCALE 3:2 SHEET 1 OF 3 REV C	
		Customer Drawing		

THIS DRAWING IS UNPUBLISHED. RELEASED FOR PUBLICATION  
 © COPYRIGHT - BY TYCO ELECTRONICS CORPORATION. ALL RIGHTS RESERVED.

LOC	DIST	REVISIONS					
H	-	P	LTR	DESCRIPTION	DATE	DWN	APVD
		-		SEE SHEET 1	-	-	-

2213480-1 AS SHOWN

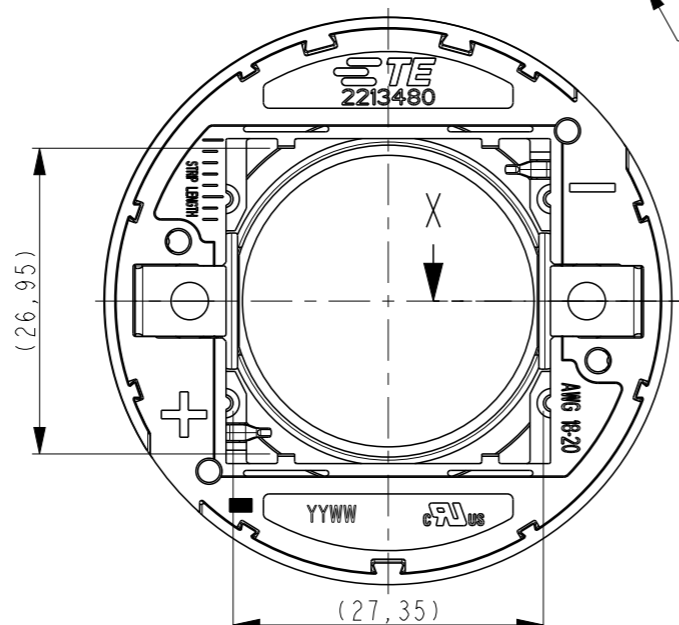
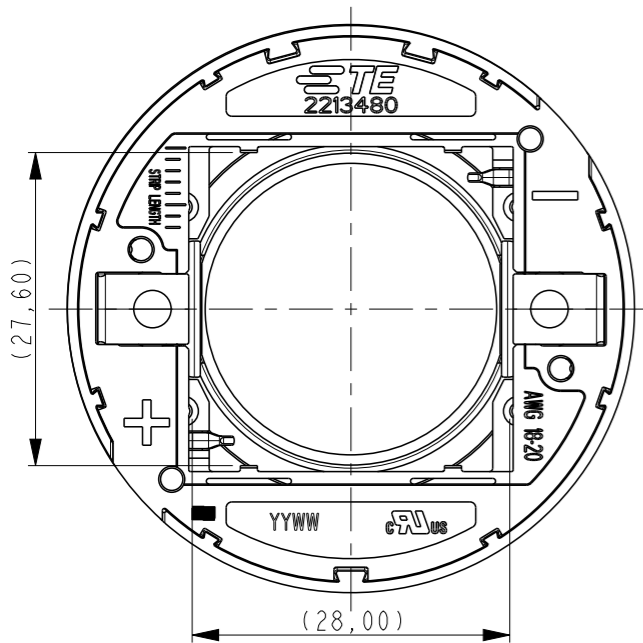
2213480-2 AS SHOWN



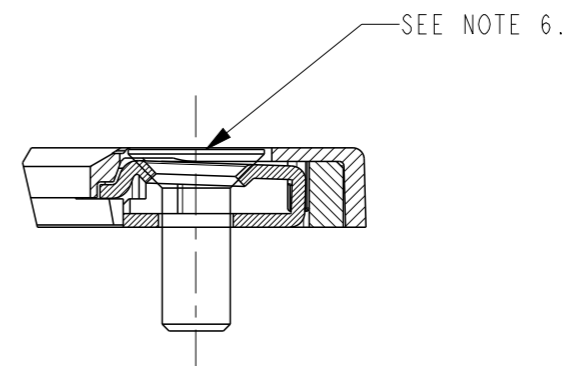
SECTION X-X

1.2 MAX. LED HEIGHT

SEE DETAIL A

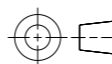


DETAIL A SCALE 3:1



THIS DRAWING IS A CONTROLLED DOCUMENT.

DIMENSIONS: mm



TOLERANCES UNLESS OTHERWISE SPECIFIED:

- 0 PLC ±-
- 1 PLC ±-
- 2 PLC ±-
- 3 PLC ±-
- 4 PLC ±-
- ANGLES ±-
- FINISH -

MATERIAL -

DWN 08APRIL2014

P. POORTER

CHK 08APRIL2014

O. LEIJNSE

APVD 08APRIL2014

O. LEIJNSE

PRODUCT SPEC 108-133018

APPLICATION SPEC -

WEIGHT -

Customer Drawing



TE Connectivity

NAME LUMAWISE Z50 high performance LED HOLDER

SIZE	CAGE CODE	DRAWING NO	RESTRICTED TO
A3	00779	C-2213480	-

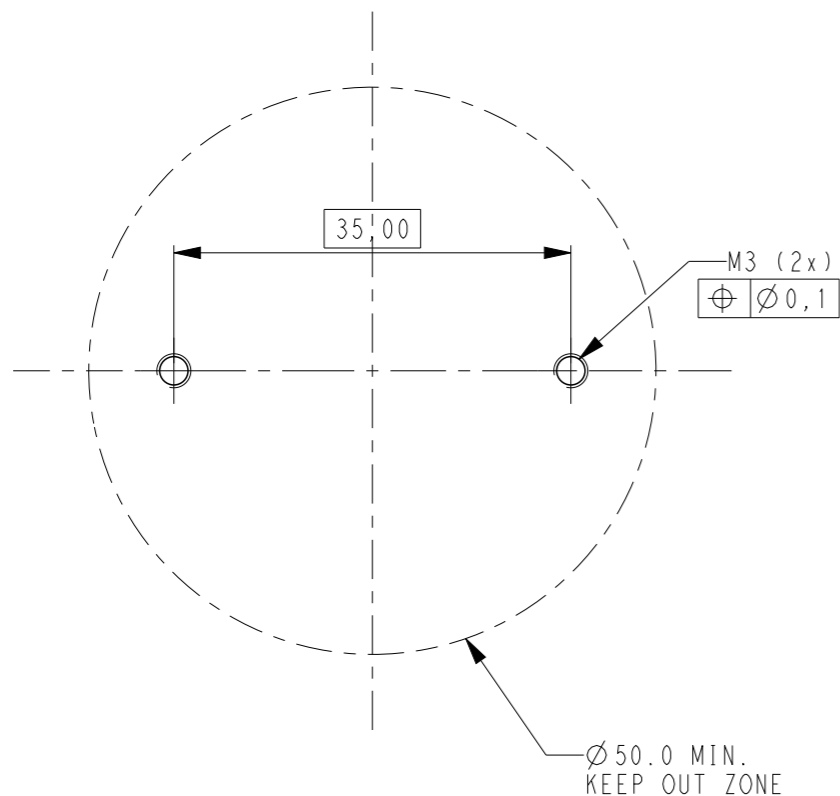
SCALE	SHEET	OF	REV
3:2	2	3	C

THIS DRAWING IS UNPUBLISHED. RELEASED FOR PUBLICATION

© COPYRIGHT - BY TYCO ELECTRONICS CORPORATION. ALL RIGHTS RESERVED.

LOC	DIST	REVISIONS					
		P	LTR	DESCRIPTION	DATE	DWN	APVD
H	-		-	SEE SHEET 1	-	-	-

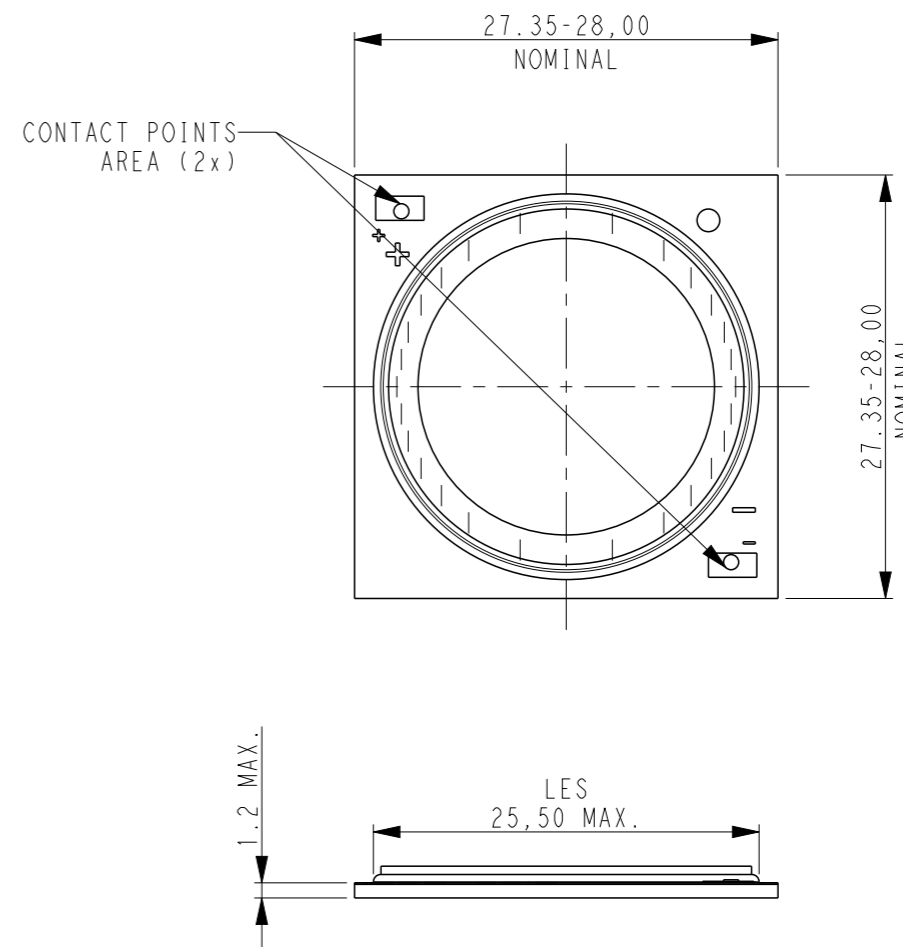
### RECOMMENDED DRILLING HOLE PATTERN:



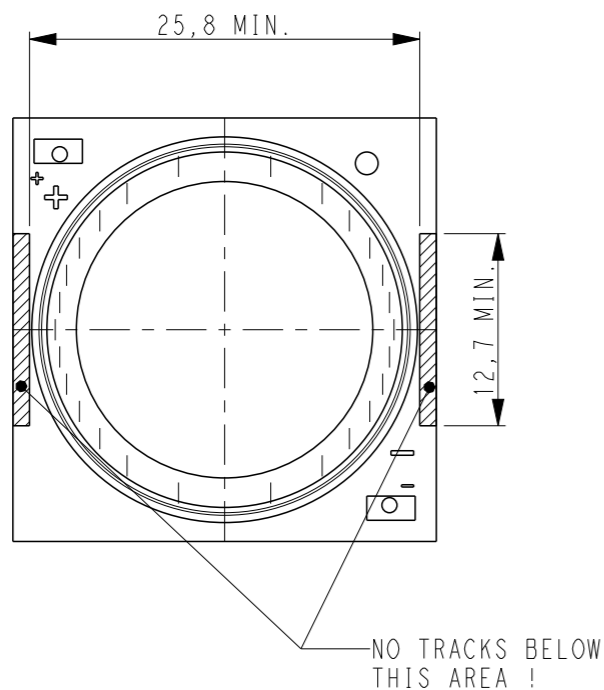
### NOMINAL LED INFO:


THE SKETCH BELOW IS SHOWING THE NOMINAL LED COB DIMENSIONS TO MATCH WITH THE Z50 LED HOLDER 2828

FOR TECHNICAL DETAILS ABOUT A PROPER MATCH WITH A SPECIFIC LED COB ARRAY PLEASE CONTACT A REPRESENTATIVE AT TE-CONNECTIVITY



### RECOMMENDED KEEP OUT AREA FOR CLAMPING:



THIS DRAWING IS A CONTROLLED DOCUMENT.		DWN P. POORTER 08APRIL2014	 TE Connectivity			
DIMENSIONS: mm		CHK O. LEIJNSE 08APRIL2014				
TOLERANCES UNLESS OTHERWISE SPECIFIED:		APVD O. LEIJNSE 08APRIL2014	NAME LUMAWISE Z50 high performance LED HOLDER			
0 PLC ±- 1 PLC ±- 2 PLC ±- 3 PLC ±- 4 PLC ±- ANGLES ±-		PRODUCT SPEC 108-133018	SIZE A3	CAGE CODE 00779	DRAWING NO C-2213480	RESTRICTED TO -
MATERIAL -		FINISH -	WEIGHT -		SCALE 3:2	
		Customer Drawing		SHEET 3 OF 3		REV C