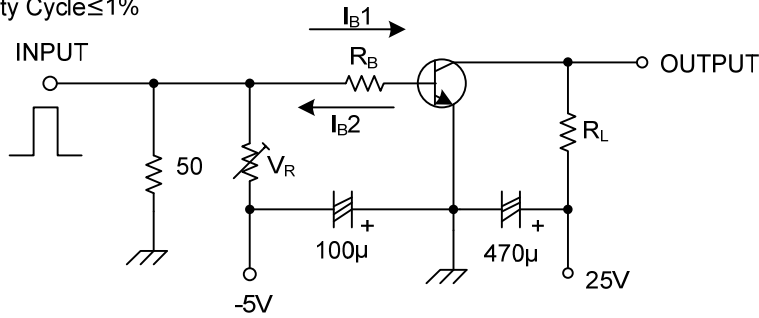


NPN Transistors

2SD1804

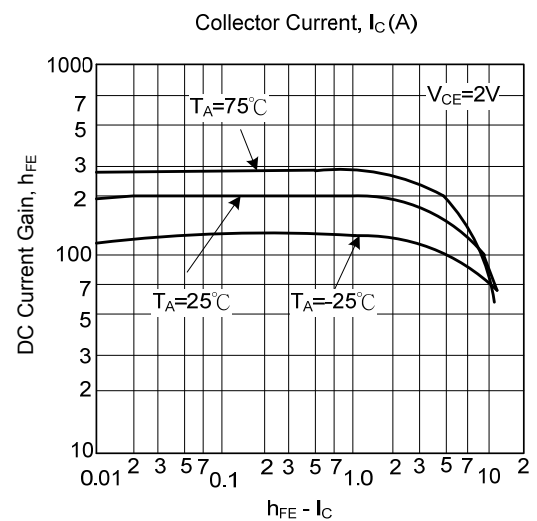
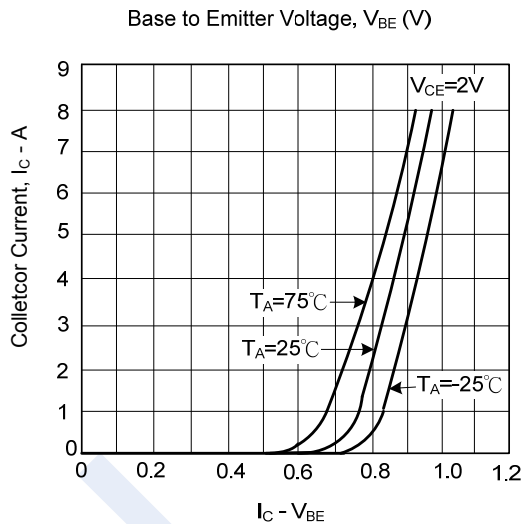
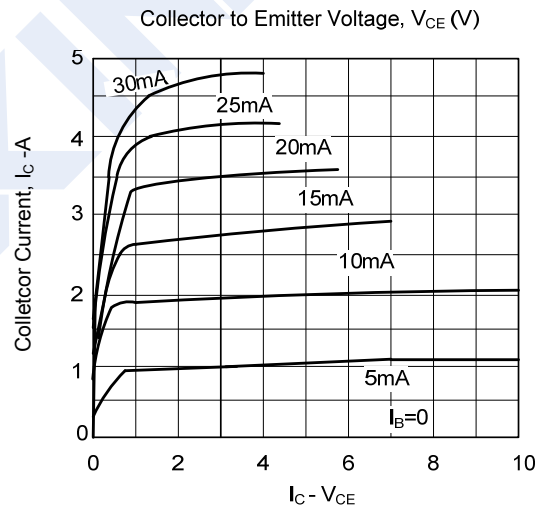
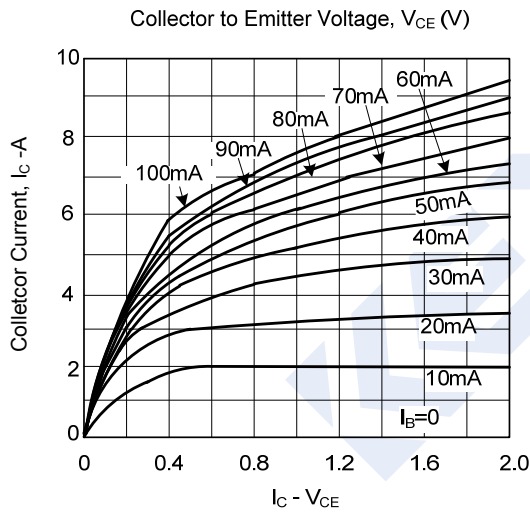
TEST CIRCUIT

PW=20μS
Duty Cycle≤1%



$I_C=10 I_{B1}= -10 I_{B2}=4A$
Unit(resistance: Ω, capacitance: F)

Typical Characteristics



NPN Transistors

2SD1804

■ Typical Characteristics

