

# TO-46 PACKAGE NPN PHOTOTRANSISTOR

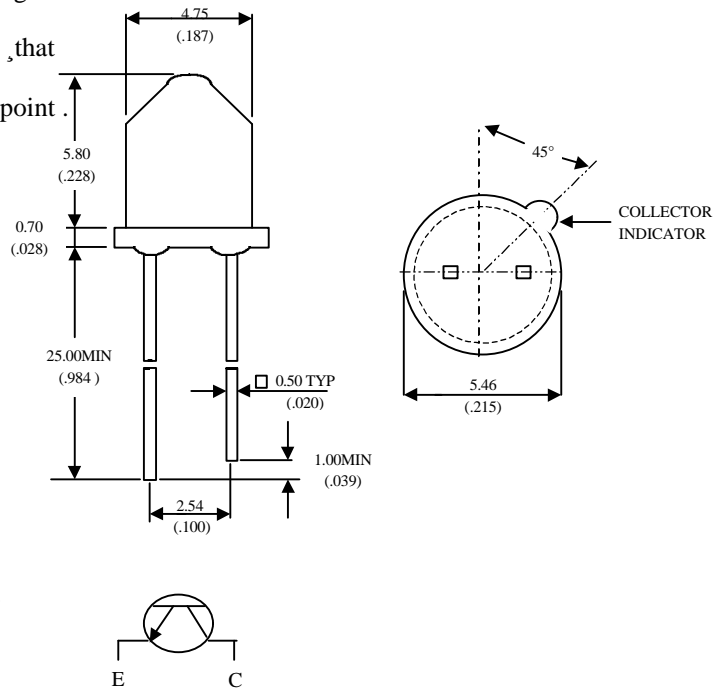
## MID-40A22

### Description

The MID-40A22 is a NPN silicon phototransistor mounted in a lensed, special dark plastic package. The lensing effect of the package allows an acceptance angle of  $25^\circ$ , that measured from the optical axis to the half power point.

### Package Dimensions

Unit : mm ( inches )



### Features

- Wide range of collector current
- Lensed for high sensitivity
- Low cost plastic package
- Acceptance angle :  $25^\circ$
- Good spectral matching IRED ( $\lambda_p$  940 nm) type

#### Notes :

1. All dimensions are in inches (millimeters).
2. Tolerance is  $\pm .010$ " (0.25 mm) unless otherwise noted.
3. Protruded resin under flange is .059" (1.5mm) max.
4. Lead spacing is measured where the leads emerge from the package.
5. Specifications are subject to change without notice.

### Absolute Maximum Ratings

@  $T_A=25^\circ\text{C}$

Parameter	Maximum Rating	Unit
Power Dissipation	100	mW
Collector-Emitter Voltage	30	V
Emitter-Collector Voltage	5	V
Operating Temperature Range	-55°C to +100°C	
Storage Temperature Range	-55°C to +100°C	
Lead Soldering Temperature	260°C for 5 seconds	

**UNI**

Unity Opto Technology Co., Ltd.

12/4/2000

## Optical-Electrical Characteristics

@ T<sub>A</sub>=25°C

Parameter	Test Conditions	Symbol	Min.	Typ .	Max.	Unit
Collector-Emitter Breakdown Voltage	I <sub>c</sub> =0.1mA Ee=0	V <sub>(BR)CEO</sub>	30			V
Emitter-Collector Breakdown Voltage	I <sub>e</sub> =0.1mA Ee=0	V <sub>(BR)ECO</sub>	5			V
Collector-Emitter Saturation Voltage	I <sub>c</sub> =0.5mA Ee=0.1mW/cm <sup>2</sup>	V <sub>CE(SAT)</sub>			0.4	V
Rise Time	V <sub>cc</sub> =5V, R <sub>L</sub> =1KΩ	T <sub>r</sub>		15		μS
Fall Time	I <sub>C</sub> =1mA	T <sub>f</sub>		15		
Collector Dark Current	V <sub>CE</sub> =10V Ee=0	I <sub>CEO</sub>			100	nA
On State Collector Current	V <sub>CE</sub> =5V Ee=0.1mW/cm <sup>2</sup>	I <sub>C(ON)</sub>		1		mA

### Typical Optical-Electrical Characteristic Curves

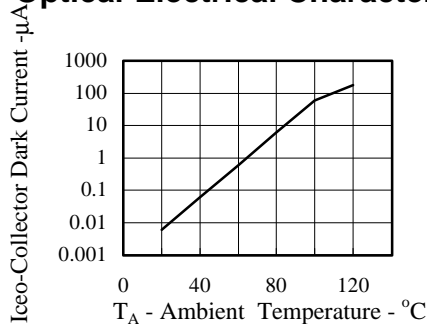


FIG.1 COLLECTOR DARK CURRENT VS AMBIENT TEMPERATURE

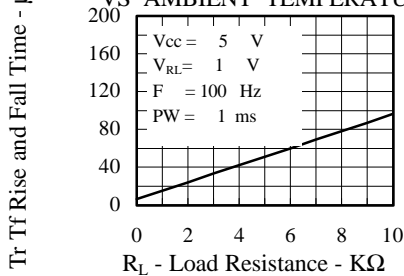


FIG.3 RISE AND FALL TIME VS LOAD RESISTANCE

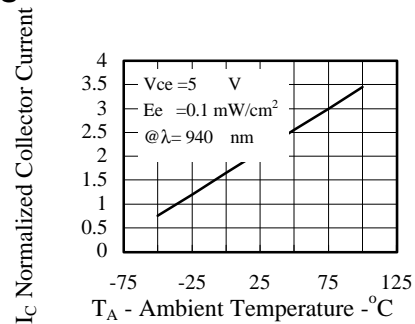


FIG.2 NORMALIZED COLLECTOR CURRENT VS AMBIENT TEMPERATURE

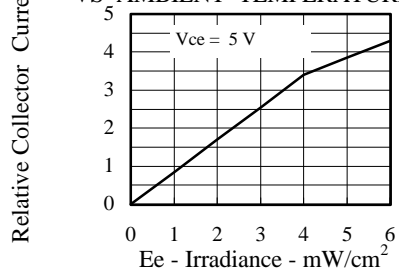


FIG.4 RELATIVE COLLECTOR CURRENT VS IRRADIANCE

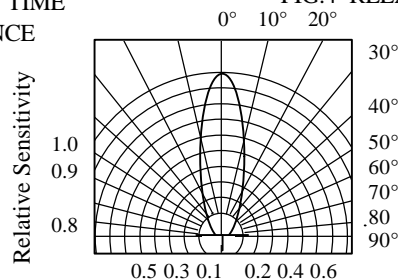


FIG.5 SENSITIVITY DIAGRAM