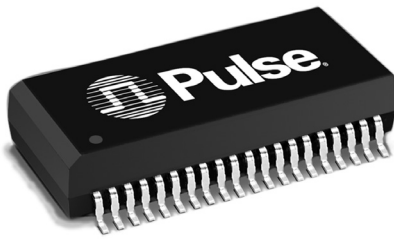


10/100BASE-TX TRANSFORMER MODULES

Military/Aerospace Grade



- Compliant with IEEE802.3u & X3.263 Standards
- 350uH OCL with 8mA DC
- IC grade transfer-molded package withstands 235°C peak temperature profile
- Operating and Storing Temperature:
100B-4009 : -40°C to +85°C
100B-4009X: -55°C to +125°C

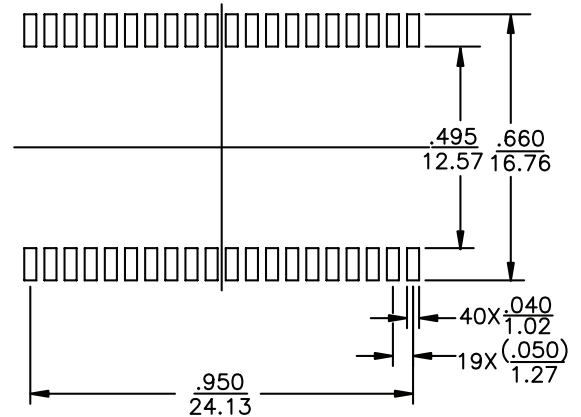
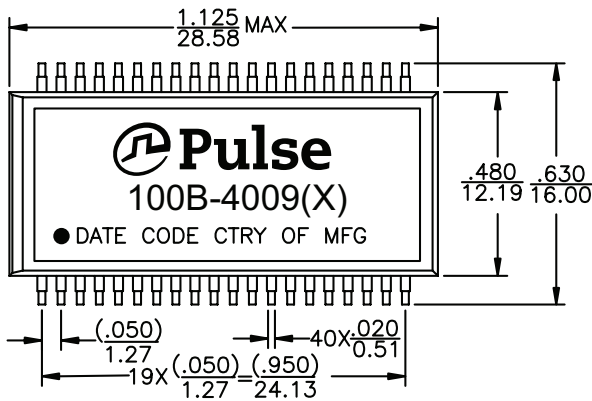
Electrical Specification @ 25°C, Operating Temperature: -40°C--+85°C

Part Number	Insertion Loss (dB MAX)	Return Loss (dB MIN)				Crosstalk (dB MIN)				Differential to Common Mode Rejection (dB MIN)		HI-POT (Vrms MIN)
		0.1-100MHz	2-30MHz	40MHz	50MHz	60-80MHz	1MHz	30MHz	60MHz	100MHz	1-60MHz	
100B-4009	-1.4	-18	-14.4	-13.1	-12	-50	-42	-37	-32	-37	-25	1500
100B-4009X*	-1.4	-18	-14.4	-13.1	-12	-50	-42	-37	-32	-37	-25	1500

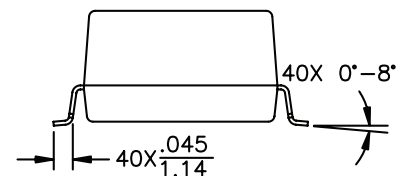
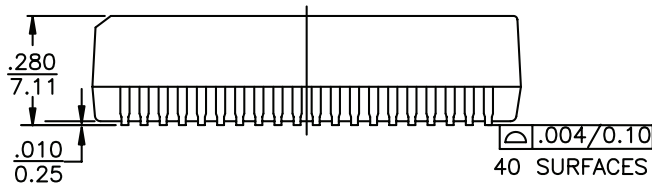
Note: Add suffix NL for RoHS compliant part i.e. 100B-4009XNL

Mechanical

100B-4009 & 100B-4009X



SUGGESTED PAD LAYOUT



Weight 4.80 grams
 Tape and Reel250/reel
 Tube 15/tube

Dimensions: Inches
 mm
 Unless otherwise specified, all tolerances are ± .010
 0,25

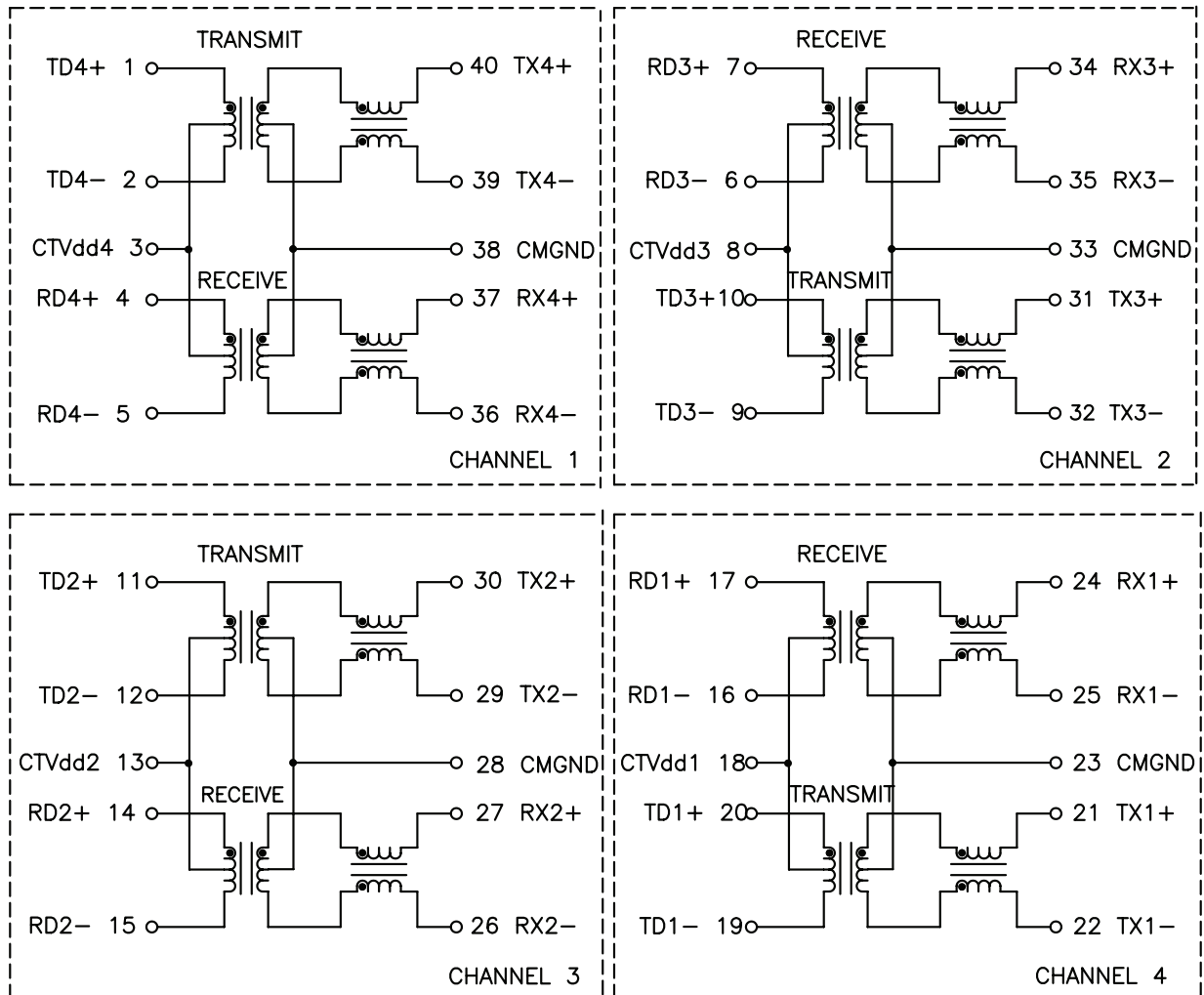
10/100BASE-TX TRANSFORMER MODULES

Military/Aerospace Grade



Schematic

100B-4009 & 100B-4009X



For More Information

Pulse North America Headquarters

Two Pearl Buck Court
Bristol, PA 19007
U.S.A.

Tel: 215 781 6400
Fax: 215 781 6403

Pulse Europe

Einsteinstrasse 1
D-71083 Herrenberg
Germany

Tel: 49 7032 7806 0
Fax: 49 7032 7806 135

Pulse China Headquarters

B402, Shenzhen Academy of
Aerospace Technology Bldg.
10th Kejinan Road
High-Tech Zone
Nanshan District
Shenzhen, PR China 518057

Tel: 86 755 33966678
Fax: 86 755 33966700

Pulse North China

Room 2704/2705
Super Ocean Finance Ctr.
2067 Yan An Road West
Shanghai 200336
China

Tel: 86 21 62787060
Fax: 86 2162786973

Pulse South Asia

135 Joo Seng Road
#03-02
PM Industrial Bldg.
Singapore 368363

Tel: 65 6287 8998
Fax: 65 6287 8998

Pulse North Asia

3F, No. 198
Zhongyuan Road
Zhongli City
Taoyuan County 320
Taiwan R. O. C.

Tel: 886 3 4356768
Fax: 886 3 4356823 (Pulse)
Fax: 886 3 4356820 (FRE)

Performance warranty of products offered on this data sheet is limited to the parameters specified. Data is subject to change without notice. Other brand and product names mentioned herein may be trademarks or registered trademarks of their respective owners. © Copyright, 2012. Pulse Electronics, Inc. All rights reserved.