

38mm sq.

San Ace 38

28mm thick (GA type), 28mm thick (GV type)



General Specifications

- Material Frame: Plastics (Flammability: UL94V-0),
Impeller: Plastics (Flammability: UL94V-1)
- Expected Life Refer to specifications (L10:Survival rate:90% at 60°C ,
rated voltage, and continuously run in a free air state)
- Lead Wire ⊕red ⊖black (Sensor) yellow
- Storage Temperature -20°C to +70°C (Non-condensing)

38×38×28mm (Mass : 50g) **GV type**

Specifications

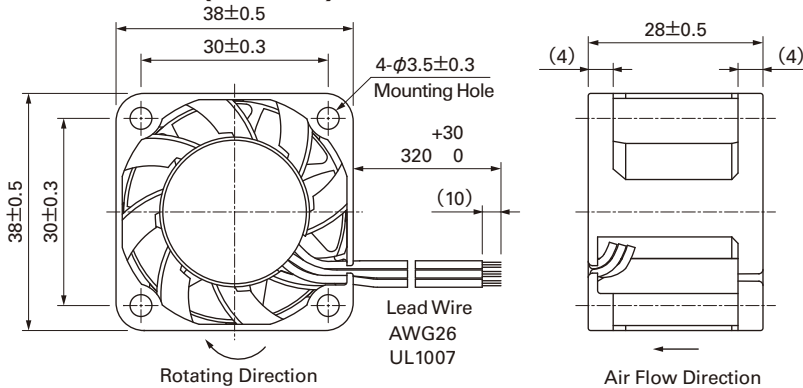
The following nos. **have pulse sensors and ribs**. For ribless, append "1" to the model no.

Model No.	Rated Voltage [V]	Operating Voltage Range [V]	Rated Current [A]	Rated Input [W]	Rated Speed [min ⁻¹]	Max. Air Flow [m ³ /min] [CFM]	Max. Static Pressure [Pa] [inchH ₂ O]	SPL [dB(A)]	Operating Temperature [°C]	Expected Life [h]		
9GV0312K301	12	7 to 13.2	0.79	9.48	18,200	0.65	23	425	1.707	59	-20 to +60	40,000
9GV0312J301			0.6	7.2	15,900	0.57	20	315	1.265	54		
9GV0312G301			0.4	4.8	13,500	0.48	17	220	0.924	50		
9GV0312E301		4.5 to 13.2	0.21	2.52	10,500	0.37	13.1	130	0.522	43		
9GV0312H301			0.16	1.92	7,000	0.24	8.5	60	0.241	34		

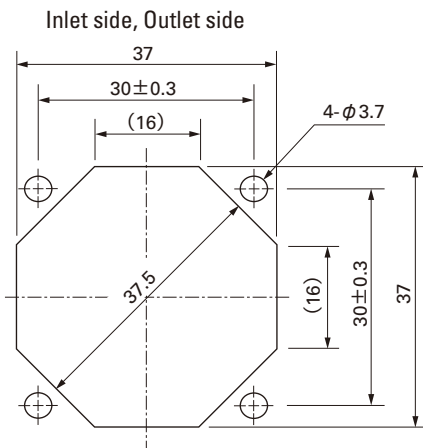
Available options: ⇒ **Without Sensor**

Please inquire as the availability of these functions depend on the model. ⇒ **Lock Sensor** **PWM Control**

Dimensions (Unit : mm) (With ribs)



Reference dimension of mounting holes and vent opening (Unit : mm)

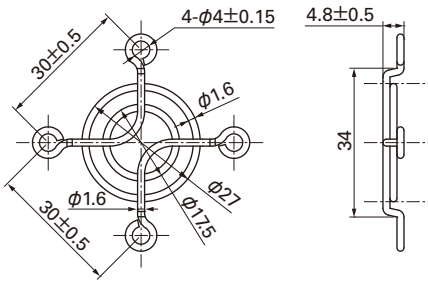


Options (Unit : mm)

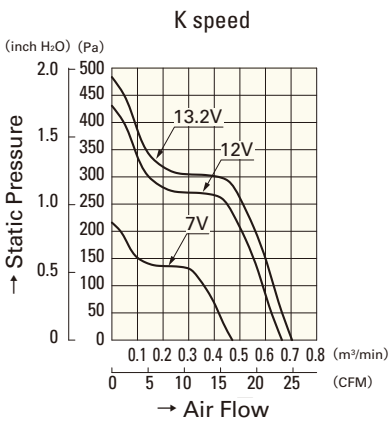
Finger guards

Model : 109-1065 Surface treatment : Nickel-chrome plating (silver) Color

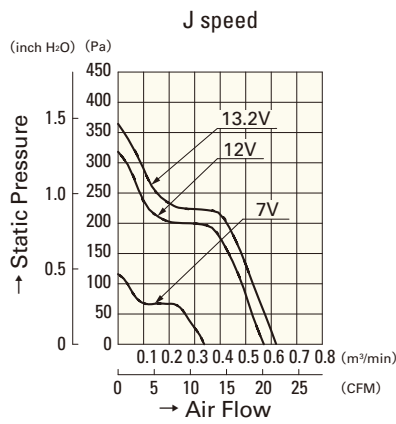
Inlet side, Outlet side



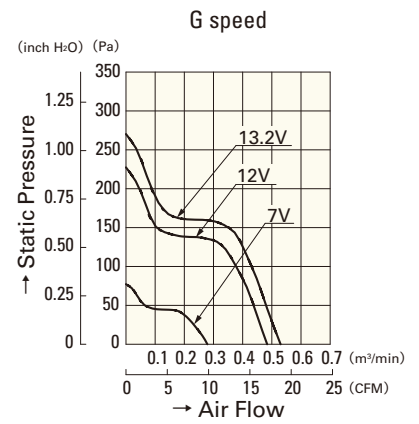
Air Flow - Static Pressure Characteristics



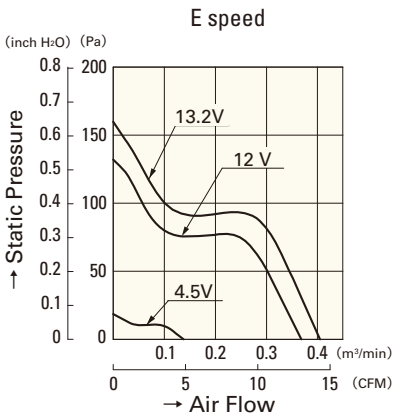
9GV0312K301



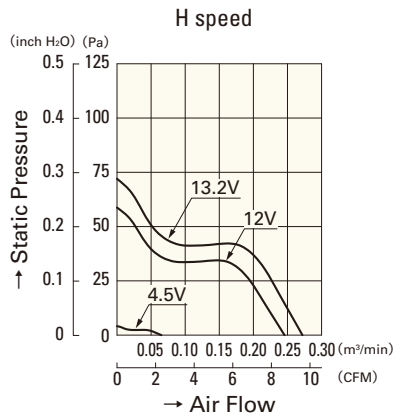
9GV0312J301



9GV0312G301



9GV0312E301



9GV0312H301