



# Ceramic Automotive Grade SMD Tuning Fork FOX

Model: FXA135

RoHS Compliant / Pb Free / REACH Compliant

Rev. 1/29/2014

Page 1 of 2

[http://www.foxonline.com/need\\_a\\_sample.htm](http://www.foxonline.com/need_a_sample.htm)

Need a Sample®

## FEATURES

- AEC-Q200 Qualified
- Ultra Low Profile
- 0.9mm Height
- Long Term Stability
- Tape and Reel (3,000 pcs. STD)

## • PART NUMBER

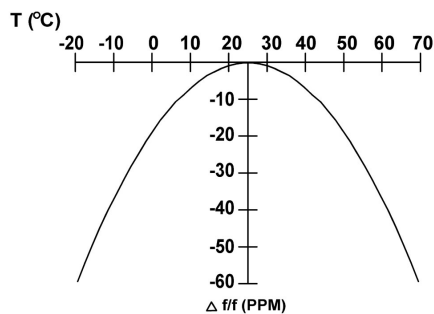
Part Number	Model Number	Frequency Range (MHz)
739A-Frequency-xxxxx	FXA135	32.768 kHz

## • STANDARD SPECIFICATIONS

PARAMETERS	MAX (unless otherwise noted)
Frequency	32.768 kHz
Frequency Tolerance @ 25°C	±20 PPM
Frequency Stability, ref @ 25°C (Temperature Coefficient)	-0.04 PPM / (Δ°C) <sup>2</sup>
Temperature Range	
Turnover (TO)	+20°C ~ +30°C
Operating (TOPR)	-40°C ~ +125°C
Storage (TSTG)	-40°C ~ +125°C
Equivalent Series Resistance (RS)	80 kΩ
Load Capacitance (CL)	12.5pF (Standard)*
Insulation Resistance @ 100VDC	500 MΩ Min
Drive Level	0.5 μW 0.1 μW Typ.
Aging per year	±3 PPM
Maximum Soldering Temp / Time	260°C / 10 Seconds
Moisture Sensitivity Level (MSL)	1
Termination Finish	Au over Ni

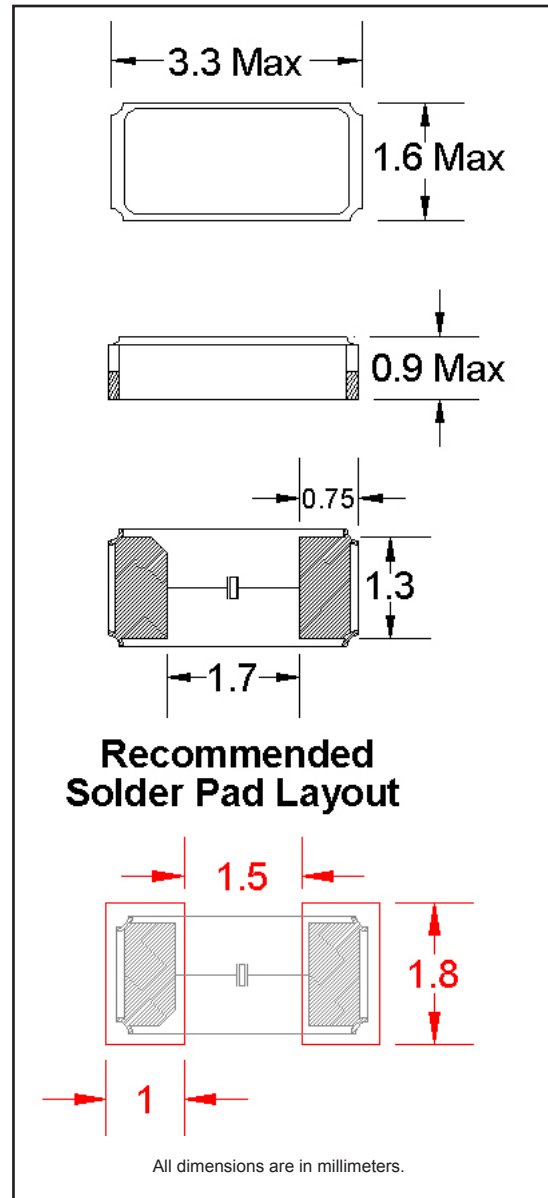
\*Other CLs available with conditions. Contact Fox Technical Support for specific requirements.  
 Note: Dimensional drawing is for reference to critical specifications defined by size measurements.  
 Certain non-critical visual attributes, such as side castellations, etc. may vary.  
 The above specifications, having been carefully prepared and checked, are believed to be accurate at the time of publication; however, no responsibility is assumed by Fox Electronics for inaccuracies.

### Parabolic Temperature Curve



To determine frequency stability, use parabolic curvature (K).  
 For example: What is stability at 45°C?

- 1) Change in T (°C) = 45-25 = 20°C
- 2) Change in frequency = -0.04 PPM \* (Δ C)<sup>2</sup>  
 = -0.04 PPM \* (20)<sup>2</sup>  
 = -16.0 PPM



# Ceramic Automotive Grade SMD Tuning Fork

Model: FXA135

RoHS Compliant / Pb Free / REACH Compliant

Rev. 1/29/2014

Page 1 of 2

[http://www.foxonline.com/need\\_a\\_sample.htm](http://www.foxonline.com/need_a_sample.htm)

Need a  
Sample<sup>®</sup>

• TAPE SPECIFICATIONS (millimeters)							
MODEL	A	B	C	D	E	F	STD Reel QTY
FXA135	∅1.5	4.0	4.0	5.5	12.0	1.0	3,000

• REEL SPECIFICATIONS (millimeters)							
MODEL	G	H	I	J	K	L	M
FXA135	2.0	∅13	∅21	∅60	∅180	13.0	1.2

