

Photo Interrupter

KIA0001C

Description

The KIA0001C actuator type photo-interrupter combine high output GaAs IrED with Photo IC. The Sensor makes, possible easy development of object detecting systems with high performance, high reliability and small equipment size.

Features

- Snap in mount.
- Connector type.
- 3 kinds of mounting plate thicknesses : 0.8mm, 1.0mm, 1.2mm.
- RoHS compliant.



Applications

- Auto stampers.
- Ticket vending machines.
- Printers.
- Copiers.

Absolute Maximum Ratings (T_a=25°C, Unless otherwise specified)

Characteristic	Symbol	Ratings	Unit
Supply Voltage(Input, Output)	V _{CC}	8	V
Output Voltage	V _O	12	V
Low Level Output Current	I _{OL}	16	mA
Power Dissipation	P _D	100	mW
Operating Temperature *1	T _{opr}	-25 ~ +75	°C
Storage Temperature *1	T _{stg}	-40 ~ +85	°C

*1 : The connector shall be insert

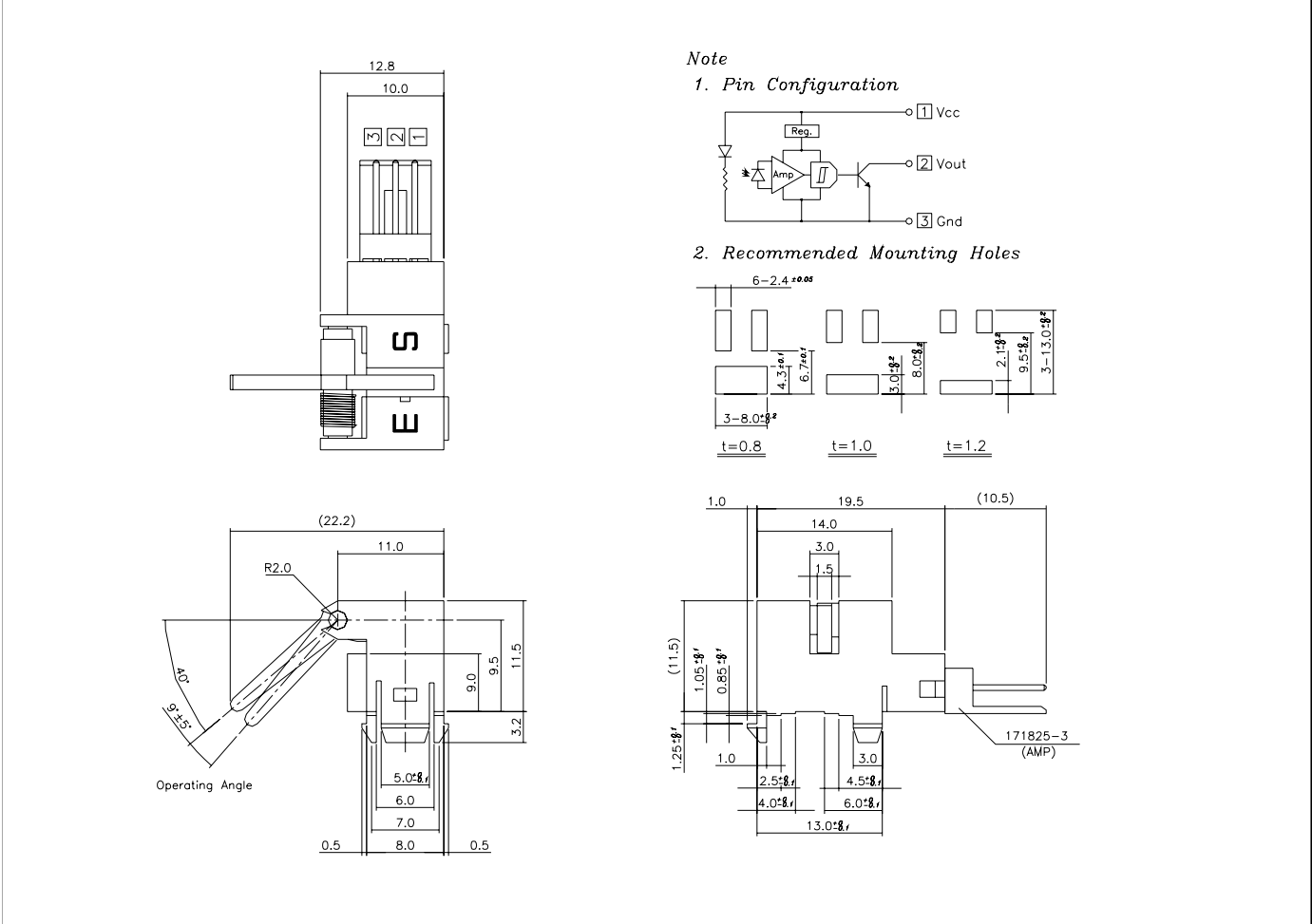
The contents of this data sheet are subject to change without advance notice for the purpose of improvement. When using this product, would you please refer to the latest specifications.

Electrical Characteristics (T_a=25°C)

Characteristic	Symbol	Test Condition	Min.	Typ.	Max.	Unit
Supply Voltage	V _{CC}	-	4.5	-	5.5	V
Low Level Output Voltage	V _{OL}	V _{CC} =5V, I _{OL} = 16mA (Non - Shading)	-	0.3	0.4	V
High Level Output Voltage	V _{OH}	V _{CC} =5V, R _L = 10 kΩ (Shading)	4.5	-	-	V
Low Level Output Current	I _{CCL}	V _{CC} =5V (Non - Shading)	-	20	35	mA
High Level Output Current	I _{CCH}	V _{CC} =5V (Shading)	-	20	35	mA
Frequency	F	V _{CC} = 5V, R _L =10kΩ	3000	-	-	Hz

The contents of this data sheet are subject to change without advance notice for the purpose of improvement.
When using this product, would you please refer to the latest specifications.

Package Outline Dimensions



The contents of this data sheet are subject to change without advance notice for the purpose of improvement. When using this product, would you please refer to the latest specifications.