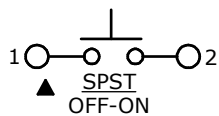


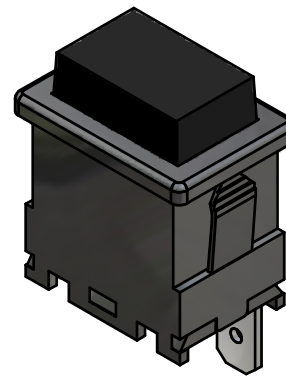
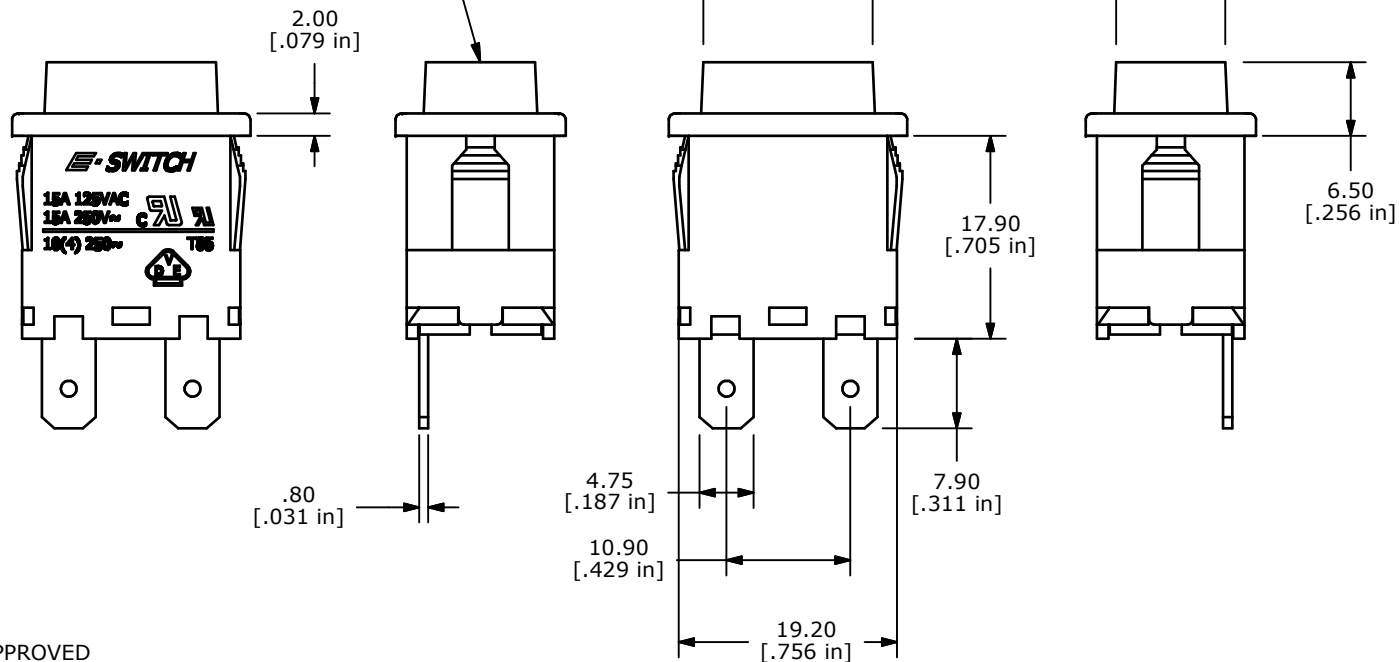
RECOMMENDED PANEL MOUNTING

PANEL THICKNESS	X
0.75-1.25	19.2
1.25-2.00	19.4
2.00-3.00	19.6



NOTES:

- ALL DIMENSIONS IN MM [INCH]
- GENERAL TOLERANCE: X.X=±0.4
X.XX=±0.25
- MECHANICAL LIFE: 30,000
- ELECTRICAL LIFE: 10,000
- CONTACT RESISTANCE: 20 mILLI OHMS
- INSULATION RESISTANCE: 1000 MEGA OHMS
- OPERATING TEMPERATURE: -10°C TO 55°C
- CONTACT RATING: 15A-250 VAC, 125VAC UL APPROVED
10A 250VAC, VDE APPROVED
- DIELECTRIC STRENGTH: 1500V FOR 1 MIN
- ▲ DENOTES CRITICAL PARAMETER
- 2002/95/EC (RoHS) COMPLIANT.
- OPERATING FORCE: 750 ± 100grams



B	17722	ADDED NOTE # 12	9/27/07	BF
A	16230	New Release	7/10/06	RC
REV	PCR NO	DESCRIPTION	DATE	BY

TITLE PB1973ABLKBLKEF0				
SCALE	DATE	DR	DWG	REV
1.5	9/27/2007	BF	M197300	B

THE INFORMATION CONTAINED IN THIS DOCUMENT IS PROPRIETARY TO E-SWITCH AND IS NOT TO BE COPIED OR TRANSFERRED