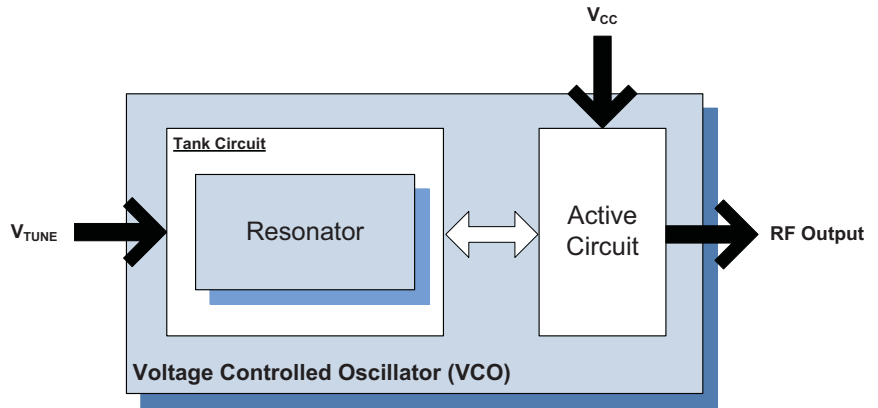




**Features**

- Ultra-Linear Tuning / Ultra-Low Phase Noise
- Frequency: 2430MHz to 2550MHz
- Resonator: Ceramic
- PCB: Rogers
- Package Size: 12.7mm x 12.7mm x 5.6mm (0.5in x 0.5in x 0.22in)



Functional Block Diagram

**Applications**

- Point-to-Point Radio
- DRO/YIG Multiplied Replacements
- Low Phase Noise Applications
- SAW VCO Replacement

**Product Description**

This VCO series features ultra-low phase noise, lower phase transients, lower harmonics, and lower pushing and pulling without any performance penalties typically associated with high technology designs.

**Ordering Information**

UMX-113-D16-G      Contact us at 1-480-756-6070

**Optimum Technology Matching® Applied**

- |                                      |                                      |                                            |                                    |
|--------------------------------------|--------------------------------------|--------------------------------------------|------------------------------------|
| <input type="checkbox"/> GaAs HBT    | <input type="checkbox"/> SiGe BiCMOS | <input type="checkbox"/> GaAs pHEMT        | <input type="checkbox"/> GaN HEMT  |
| <input type="checkbox"/> GaAs MESFET | <input type="checkbox"/> Si BiCMOS   | <input type="checkbox"/> Si CMOS           | <input type="checkbox"/> BiFET HBT |
| <input type="checkbox"/> InGaP HBT   | <input type="checkbox"/> SiGe HBT    | <input checked="" type="checkbox"/> Si BJT | <input type="checkbox"/> LDMOS     |

RF MICRO DEVICES®, RFMD®, Optimum Technology Matching®, Enabling Wireless Connectivity™, PowerStar®, POLARIS™ TOTAL RADIO™ and UltimateBlue™ are trademarks of RFMD, LLC. BLUETOOTH is a trademark owned by Bluetooth SIG, Inc., U.S.A. and licensed for use by RFMD. All other trade names, trademarks and registered trademarks are the property of their respective owners. ©2006, RF Micro Devices, Inc.

## Absolute Maximum Ratings

Parameter	Rating	Unit
Operating Ambient Temperature [1]	-40 to +85	°C
Storage Temperature	-55 to +125	°C

[1] Frequency drift: 8MHz typical (either extreme).



**Caution!** ESD sensitive device.

Exceeding any one or a combination of the Absolute Maximum Rating conditions may cause permanent damage to the device. Extended application of Absolute Maximum Rating conditions to the device may reduce device reliability. Specified typical performance or functional operation of the device under Absolute Maximum Rating conditions is not implied.

The information in this publication is believed to be accurate and reliable. However, no responsibility is assumed by RF Micro Devices, Inc. ("RFMD") for its use, nor for any infringement of patents, or other rights of third parties, resulting from its use. No license is granted by implication or otherwise under any patent or patent rights of RFMD. RFMD reserves the right to change component circuitry, recommended application circuitry and specifications at any time without prior notice.

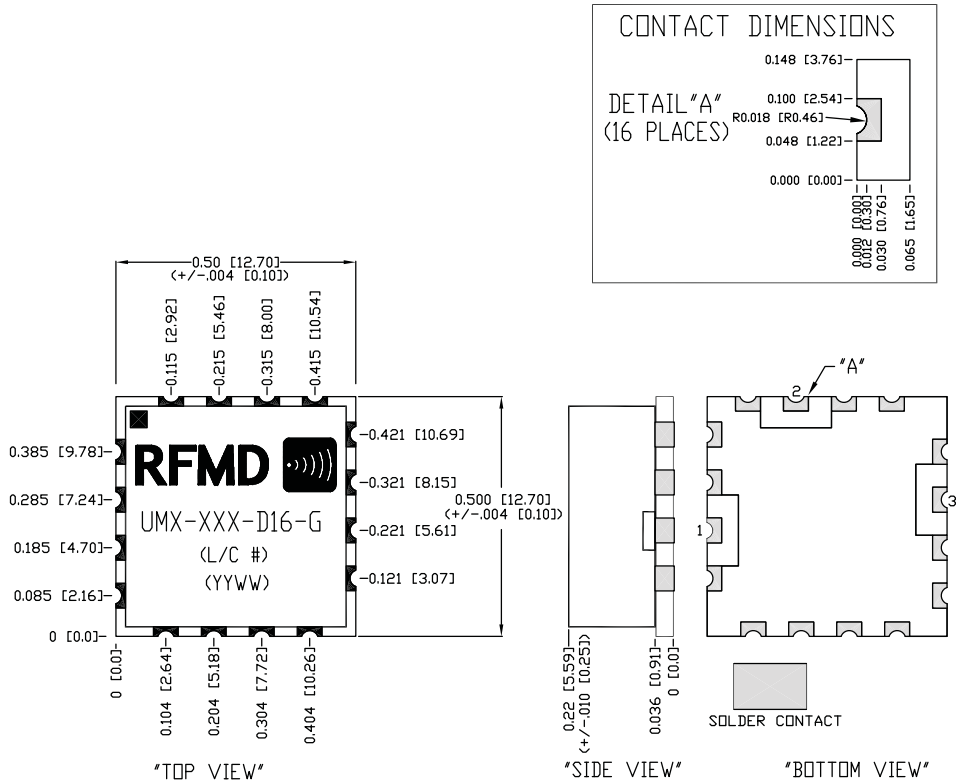


RoHS (Restriction of Hazardous Substances): Compliant per EU Directive 2002/95/EC.

Parameter	Specification			Unit	Condition
	Min.	Typ.	Max.		
<b>Overall</b>					
Frequency Range	2430		2550	MHz	
Tuning Voltage	0.5		4.5	V <sub>DC</sub>	
Tuning Sensitivity		44		MHz/V	
Output Power	5	7	9	dBm	
	5			dBm	At V <sub>T</sub> = 0
Output Phase Noise		-84	-77	dBc/Hz	1 kHz
		-110	-105	dBc/Hz	10 kHz
		-130	-125	dBc/Hz	100 kHz
		-150	-145	dBc/Hz	1000 kHz
		-164	-155	dBc/Hz	10000 kHz
Second Harmonic		-16	-10	dBc	
Frequency Pulling		2	3	MHz p-p	At 12 dB <sub>r</sub> , all phases
Tuning Port Capacitance		47		pF	
Modulation Bandwidth		1000		kHz	3dB BW
Frequency Pushing		1.2	2.4	MHz/V	
<b>Power Supply</b>					
Operating Voltage		5		V	
Supply Current		27		mA	

## Package Drawing & Pin Outs

12.7mm x 12.7mm x 5.6mm (0.5in x 0.5in x 0.22in)



CONTACT ASSIGNMENTS:	
1:	RF OUT
2:	SUPPLY INPUT
3:	TUNING VOLTAGE INPUT
ALL OTHER CONTACTS ARE GROUND	