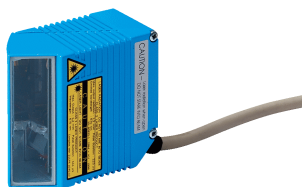


# CLV410-2010

CLV41x

**BAR CODE SCANNERS**

**SICK**  
Sensor Intelligence.



### Ordering information

Type	Part no.
CLV410-2010	1017534

Other models and accessories → [www.sick.de/CLV41x](http://www.sick.de/CLV41x)



### Detailed technical data

#### Features

<b>Version</b>	Mid Range
<b>Connection type</b>	Standard
<b>Reading field</b>	Side (105°)
<b>Scanner design</b>	Line scanner
<b>Focus</b>	Fixed focus
<b>Light source</b>	Visible red light (laser, 670 nm)
<b>MTBF</b>	20,000 h
<b>Laser class</b>	2 (DIN EN 60825-1)
<b>Aperture angle</b>	≤ 50°
<b>Scanning frequency</b>	200 Hz ... 800 Hz
<b>Code resolution</b>	0.2 mm ... 1 mm
<b>Reading distance</b>	50 mm ... 380 mm <sup>1)</sup>

<sup>1)</sup> For details see reading field diagram.

#### Performance

<b>Bar code types</b>	All current code types, Code 39, Code 128, Code 93, Codabar, GS1-128 / EAN 128, UPC / GTIN / EAN, Interleaved 2 of 5, Pharmacode
<b>Print ratio</b>	2:1 ... 3:1
<b>No. of codes per scan</b>	1 ... 3
<b>No. of codes per reading interval</b>	1 ... 10
<b>No. of characters per reading interval</b>	100
<b>No. of multiple readings</b>	1 ... 99

#### Interfaces

<b>Serial (RS-232, RS-422/-485)</b>	✓, AUX (only RS-232)
Function	Host, AUX
Data transmission rate	300 Baud ... 57,600 Baud, AUX: 9,600 baud
<b>Switching inputs</b>	2 ("Sensor 1", "Sensor 2")
<b>Switching outputs</b>	3 ("Result 1", "Result 2", "Result 3")
<b>Reading pulse</b>	Reflector polling, Switching input "Sensor 1", non-powered, serial interface
<b>Optical indicators</b>	4 LEDs (function indicator)
<b>Acoustic indicators</b>	Beeper/buzzer (can be switched off, can be allocated as a result indication function)

## Mechanics/electronics

<b>Electrical connection</b>	1 x 15-pin D-Sub HD male connector (0.9 m)
<b>Operating voltage</b>	5 V DC ... 30 V DC <sup>1)</sup>
<b>Power consumption</b>	3 W
<b>Housing</b>	Die-cast zinc, does not contain paint wetting impairment substances
<b>Housing color</b>	Light blue (RAL 5012)
<b>Enclosure rating</b>	IP 65 (DIN 40 050)
<b>Protection class</b>	III (IEC 1010-1)
<b>Weight</b>	320 g, with connecting cable
<b>Dimensions (L x W x H)</b>	72 mm x 62.7 mm x 35.2 mm

<sup>1)</sup> UL certified for use with a Class 2 mains supply unit (checked to UL 1310)

## Ambient data

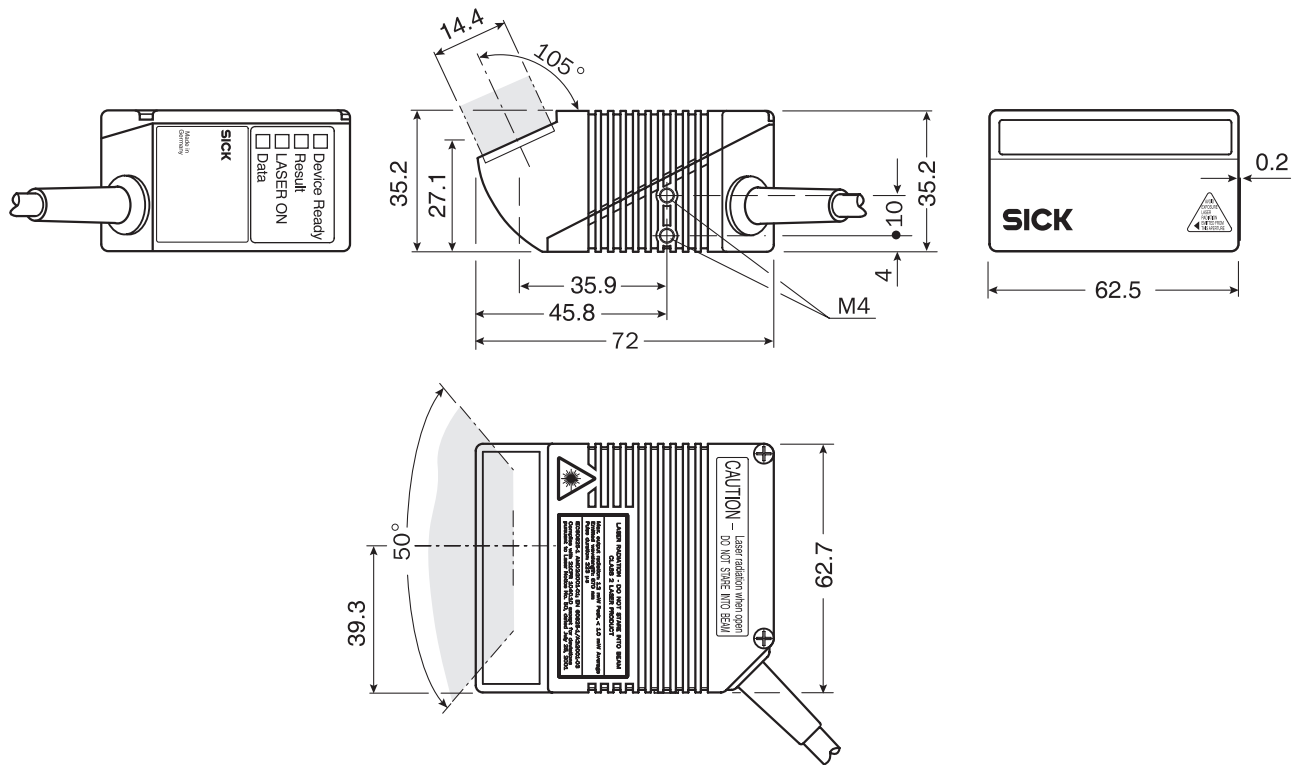
<b>Electromagnetic compatibility (EMC)</b>	EN 61000-6-3 / EN 61000-6-2
<b>Vibration resistance</b>	IEC 68-2-6 Test FC
<b>Shock resistance</b>	IEC 68-2-27 Test EA
<b>Ambient operating temperature</b>	0 °C ... +40 °C
<b>Storage temperature</b>	-20 °C ... +70 °C
<b>Permissible relative humidity</b>	± 90 %, Non-condensing
<b>Ambient light immunity</b>	2,000 lx, on bar code
<b>Bar code print contrast (PCS)</b>	≥ 60 %

## General notes

<b>Life cycle phase</b>	Discontinued
-------------------------	--------------

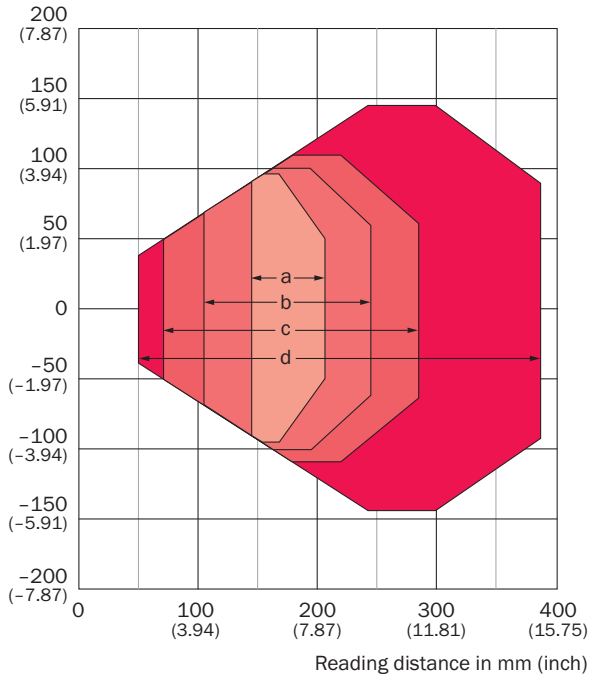
### Dimensional drawing (Dimensions in mm (inch))

CLV41x/42x side



## Reading field diagram

Reading field height in mm (inch)




**Resolution**

- a: 0.20 mm (7.9 mil)
- b: 0.35 mm (13.8 mil)
- c: 0.50 mm (19.7 mil)
- d: 1.00 mm (39.4 mil)

## Recommended accessories

Other models and accessories → [www.sick.de/CLV41x](http://www.sick.de/CLV41x)

	Brief description	Type	Part no.
<b>Mounting brackets and mounting plates</b>			
	Mounting bracket, small, mounting hardware included	Mounting bracket	2020077
<b>Modules</b>			
	Small connection module for one CLV41x	CDB410-001	1023813
	Modular connection module for one CLV41x	CDM410-0001	1025361

## SICK AT A GLANCE

SICK is one of the leading manufacturers of intelligent sensors and sensor solutions for industrial applications. A unique range of products and services creates the perfect basis for controlling processes securely and efficiently, protecting individuals from accidents and preventing damage to the environment.

We have extensive experience in a wide range of industries and understand their processes and requirements. With intelligent sensors, we can deliver exactly what our customers need. In application centers in Europe, Asia and North America, system solutions are tested and optimized in accordance with customer specifications. All this makes us a reliable supplier and development partner.

Comprehensive services complete our offering: SICK LifeTime Services provide support throughout the machine life cycle and ensure safety and productivity.

For us, that is “Sensor Intelligence.”

## WORLDWIDE PRESENCE:

Contacts and other locations –[www.sick.com](http://www.sick.com)