

PLEASE CHECK WWW.MOLEX.COM FOR LATEST PART INFORMATION

Part Number: **0482036746**

Status: **Active**

Description: High Density, DDC Compatible D-Subminiature Shielded I/O PCB Female Receptacle, Right Angle, Through Hole, 15 Circuits, Blue Housing, 2 #4-40 Hex Internal Thread Screws Attached (L=5mm), 0.76µm (30µ") Gold (Au) Plating, Lead Free

Documents:

[3D Model](#)

[Drawing \(PDF\)](#)

[Product Specification PS-48203-001 \(PDF\)](#)

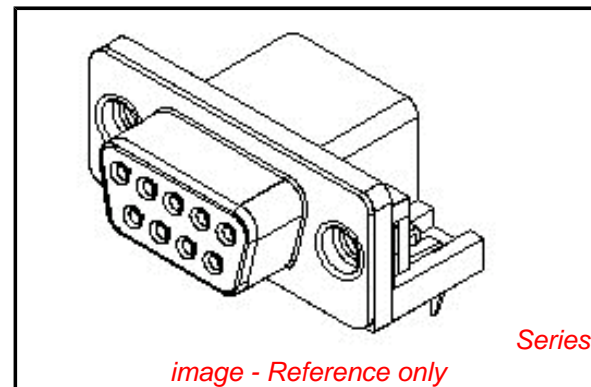
[RoHS Certificate of Compliance \(PDF\)](#)

General

Product Family	I/O Connectors
Series	48203
Application	Wire-to-Board
Comments	Socket #9 is moved back 1.27mm for DCC Compatibility; Housing Color: Blue
Component Type	Receptacle
Product Name	D-Sub, DB15
Type	N/A

Physical

Boot Color	N/A
Circuits (Loaded)	15
Circuits (maximum)	15
Color - Resin	Blue
Gender	Receptacle
Lock to Mating Part	Yes
Material - Metal	Phosphor Bronze
Material - Plating Mating	Gold
Material - Plating Termination	Tin
Material - Resin	Polyester
Number of Rows	3
Orientation	Right Angle
PC Tail Length (in)	0.138 In
PC Tail Length (mm)	3.50 mm
PCB Locator	Yes
PCB Retention	Yes
PCB Thickness Recommended (in)	0.063 In
PCB Thickness Recommended (mm)	1.60 mm
Packaging Type	Tray
Panel Mount	Yes
Pitch - Mating Interface (in)	0.090 In
Pitch - Mating Interface (mm)	2.29 mm
Pitch - Term. Interface (in)	0.090 In
Pitch - Term. Interface (mm)	2.29 mm
Plating min: Mating (µin)	30
Plating min: Mating (µm)	0.75
Plating min: Termination (µin)	100
Plating min: Termination (µm)	2.54
Polarized to Mating Part	Yes
Polarized to PCB	Yes
Ports	1
Surface Mount Compatible (SMC)	No
Temperature Range - Operating	-40°C to +85°C
Termination Interface: Style	Through Hole
Waterproof / Dustproof	No



EU RoHS

ELV and RoHS Compliant

REACH SVHC

Not Reviewed

Halogen-Free

Status

Not Reviewed

China RoHS



Need more information on product environmental compliance?

Email productcompliance@molex.com
For a multiple part number RoHS Certificate of Compliance, [click here](#)

Please visit the [Contact Us](#) section for any non-product compliance questions.

Search Parts in this Series

48203Series

Mates With

48202

Wire Size AWG

N/A

Electrical

Current - Maximum per Contact

1A

Grounding to Panel

Press-Fit

Shield Type

Full Shield

Shielded

Yes

Voltage - Maximum

300V DC

Material Info

Reference - Drawing Numbers

Product Specification

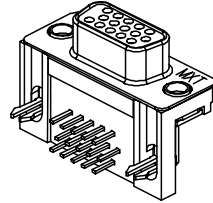
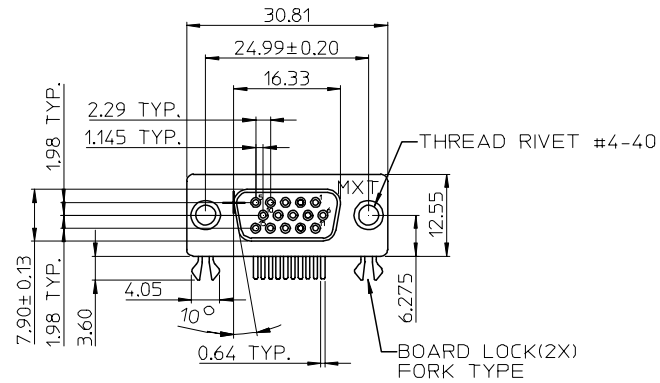
PS-48203-001

Sales Drawing

SD-48203-002

This document was generated on 03/31/2010

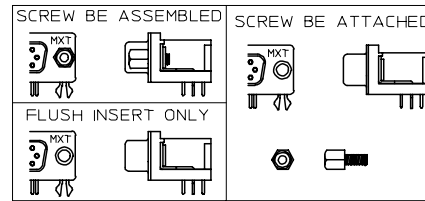
PLEASE CHECK WWW.MOLEX.COM FOR LATEST PART INFORMATION



- NOTE:
- MATERIAL:
 - HOUSING: POLYESTER GLASS FILLED,UL94-V0,
 - COLOR:BLUE
 - TERMINAL: PHOSPHOR BRONZE
 - METAL SHELL: SPCC
 - BOARD LOCK: BRASS
 - SCREW: BRASS
 - PLATING:
 - TERMINAL:
 - CONTACT AREA: SEE PART NUMBER LEGEND
 - SOLDER TAIL: TIN(Sn), THICKNESS=100 MICROINCH MIN/2.54 MICROMETER MIN.
 - UNDER PLATE: NICKEL(Ni), THICKNESS=50 MICROINCH MIN/1.27 MICROMETER MIN.
 - METAL SHELL: TIN (Sn),THICKNESS=100 MICROINCH MIN/2.54 MICROMETER MIN.
 - UNDER PLATE: COPPER(Cu), THICKNESS=50 MICROINCH MIN/1.27 MICROMETER MIN.
 - BOARD LOCK: TIN (Sn),THICKNESS=50 MICROINCH MIN/1.27 MICROMETER MIN.
 - SCREW: NICKEL(Ni),THICKNESS=50 MICROINCH MIN/1.27 MICROMETER MIN.
 - SOCKET *9 IS MOVED BACK 1.27mm FOR DDC COMPATIBILITY
 - RECOMMENDED PCB THICKNESS: 1.60+/-0.05mm
 - PRODUCT SPECIFICATION: REFER TO PS-48203-001
 - TEST SUMMARY: REFER TO TS-48203-002
 - PACKAGING SPECIFICATION: REFER TO PK-48203-001
 - LEAD FREE AND ROHS COMPLIANCE PRODUCT

PART NUMBER LEGEND

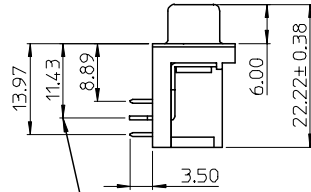
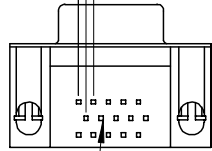
48203-6 7 * *



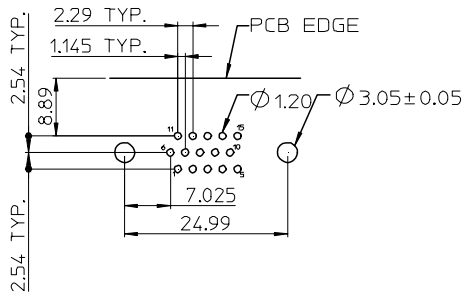
- 2:FLUSH INSERT ONLY
- 3:2 PCS #4-40 INNER THREAD SCREW ASSEMBLED (L=5mm)
- 4:2 PCS M2.6 INNER THREAD SCREW ASSEMBLED (L=5mm)
- 5:2 PCS M3 INNER THREAD SCREW ASSEMBLED (L=5mm)
- 6:2 PCS #4-40 INNER THREAD SCREW ATTACHED (L=5mm)
- 7:2 PCS M2.6 INNER THREAD SCREW ATTACHED (L=5mm)
- 8:2 PCS M3 INNER THREAD SCREW ATTACHED (L=5mm)
- 9:2 PCS #4-40 INNER THREAD SCREW ASSEMBLED (L=6mm)

- 4:30 MICRO INCH MINIMUM GOLD IN CONTACT AREA
- 5:15 MICRO INCH MINIMUM GOLD IN CONTACT AREA
- 6:GOLD FLASH ALL OVER
- 7:GOLD FLASH IN CONTACT AREA

2.29 TYP.
1.145 TYP.



RECOMMENDED PCB LAYOUT



L/F FOR 89263-67** EC NO: SH200605050	DRWN: JCHEN12 2005/07/29 CHKD: 2005/08/02 APPR: WWSCHANG 2005/08/04	DESCRIPTION	QUALITY SYMBOLS ▽=0 ◻=0	GENERAL TOLERANCES (UNLESS SPECIFIED)		DIMENSION STYLE MM ONLY		SCALE 1:1	DESIGN UNITS METRIC	THIRD ANGLE PROJECTION	
				mm	INCH	DRAWN BY LINDA	DATE 2005/04/26	TITLE HI-DENSITY 15 CIRCUIT DDC COMPATIBLE D-SUB (LEAD FREE VERSION)			
C	REV	DESCRIPTION	QUALITY SYMBOLS	4 PLACES	± ---	± ---	CHECKED BY ALL IN	DATE 2005/04/26	MOLEX INCORPORATED		
				3 PLACES	± ---	± ---	APPROVED BY WWSCHANG	DATE 2005/04/26	DOCUMENT NO. SD-48203-002	SHEET NO. 1 OF 1	
DRAFT WHERE APPLICABLE MUST REMAIN WITHIN DIMENSIONS				1 PLACE	± 0.25	± ---	THIS DRAWING CONTAINS INFORMATION THAT IS PROPRIETARY TO MOLEX INCORPORATED AND SHOULD NOT BE USED WITHOUT WRITTEN PERMISSION				
ANGULAR ± 3 °				MATERIAL NO. 48203-67**							