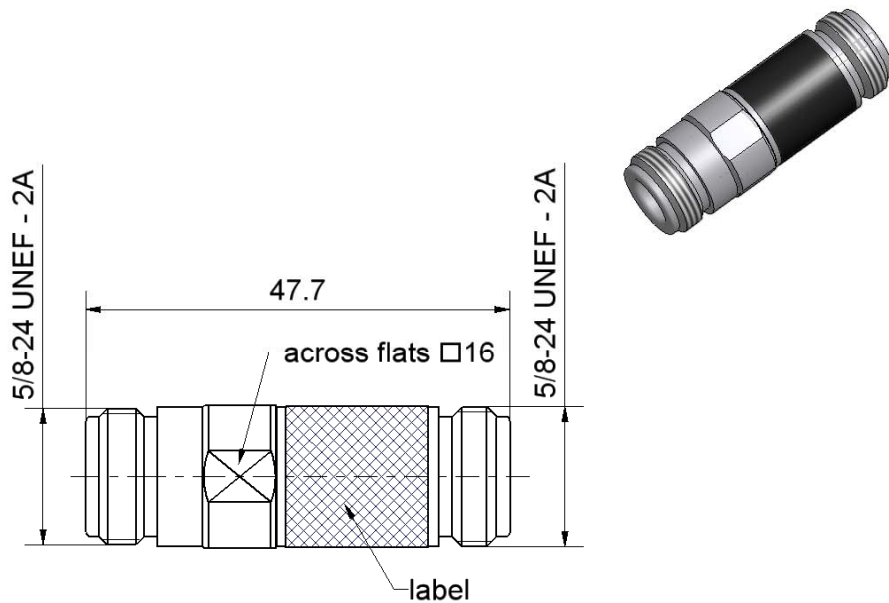


RPC-N  
50 Ω

Attenuator  
Jack/Jack

**05AK102-K10S3**



All dimensions are in mm; tolerances according to ISO 2768 m-H

**Interface**

According to

IEC 61169-16 ; CECC 22 210 ; MIL-STD 348A/402

**Documents**

N/A

**Material and plating**

**Connector parts**

Center conductor  
Outer conductor  
Dielectric  
Substrate

**Material**

Beryllium copper  
Stainless steel  
PPE  
Al<sub>2</sub>O<sub>3</sub>

**Plating**

Gold, min. 1.27 μm, over nickel  
Passivated

Dieses Dokument ist urheberrechtlich geschützt • This document is protected by copyright • Rosenberger Hochfrequenztechnik GmbH & Co. KG

RF\_35/05.10/6.0

RPC-N  
50 Ω Attenuator  
Jack/Jack

**05AK102-K10S3**

**Electrical data**

Impedance 50 Ω  
 Frequency range DC to 18 GHz  
 Return loss ≥ 26.4 dB, DC to 4 GHz  
 ≥ 23.1 dB, 4 GHz to 12.4 GHz  
 ≥ 19.1 dB, 12.4 GHz to 18 GHz  
 Attenuation 10 dB ± 0.3 dB, DC to 8 GHz  
 10 dB ± 0.6 dB, 8 GHz to 12.4 GHz  
 10 dB ± 0.8 dB, 12.4 GHz to 18 GHz  
 Power handling 2 W at 25 °C

**Mechanical data**

Mating cycles ≥ 500  
 Maximum torque 170 Ncm  
 Recommended torque 110 Ncm  
 Gauge 5.18 mm to 5.26 mm

**Environmental data**

Operating temperature range<sup>1</sup> 0 °C to +50 °C  
 Storage temperature range -40 °C to +85 °C  
 2002/95/EC (RoHS) compliant

<sup>1</sup> Temperature range over which these specifications are valid.

**Packing**

Standard 1 pce in box  
 Weight 60.3 g/pce

While the information has been carefully compiled to the best of our knowledge, nothing is intended as representation or warranty on our part and no statement herein shall be construed as recommendation to infringe existing patents. In the effort to improve our products, we reserve the right to make changes judged to be necessary.

Draft	Date	Approved	Date	Rev.	Engineering change number	Name	Date
Kerstin Herzog	23/04/07	Frank Weiß	24/01/12	c00	11-0832	Marion Striegler	18/01/12
Rosenberger Hochfrequenztechnik GmbH & Co. KG P.O.Box 1260 D-84526 Tittmoning Germany <a href="http://www.rosenberger.de">www.rosenberger.de</a>				Tel. : +49 8684 18-0 Fax : +49 8684 18-499 Email : <a href="mailto:info@rosenberger.de">info@rosenberger.de</a>			Page 2 / 2